

PRODUCT INFORMATION PACKET

marathon[®]
Motors

Model No: 048A11O1773
Catalog No: X034
1/4,1075,OPEN,48Y,1/60/115
Direct Drive



Regal and Marathon are trademarks of Regal Beloit Corporation or one of its affiliated companies.
©2018 Regal Beloit Corporation, All Rights Reserved. MC017097E

REGAL[®]



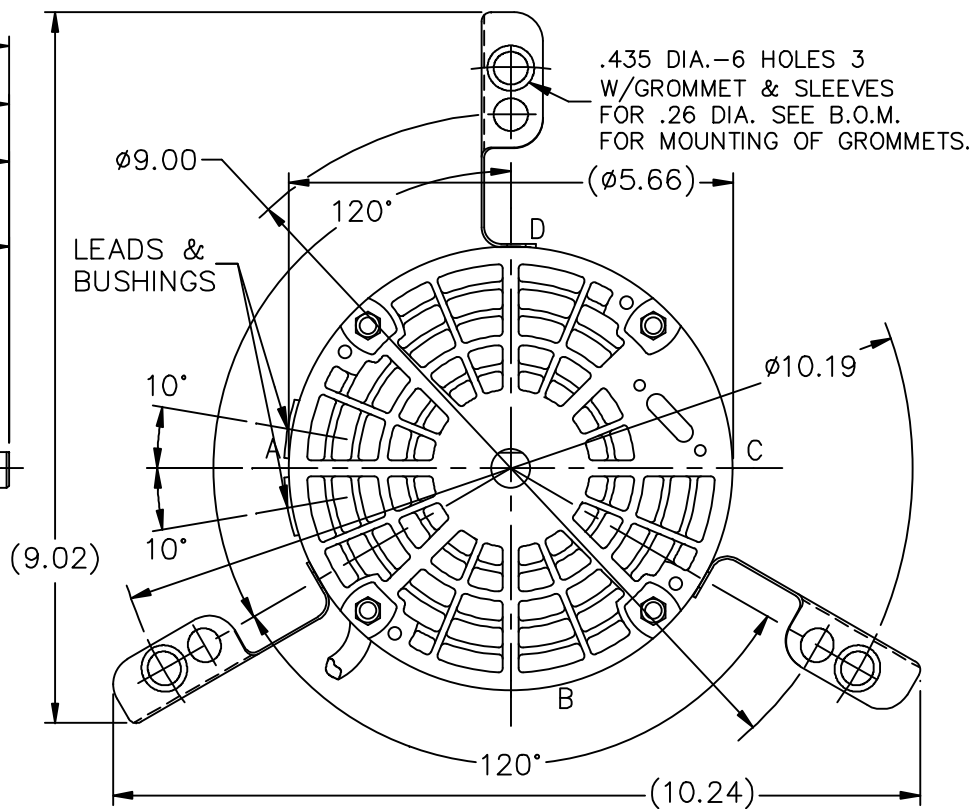
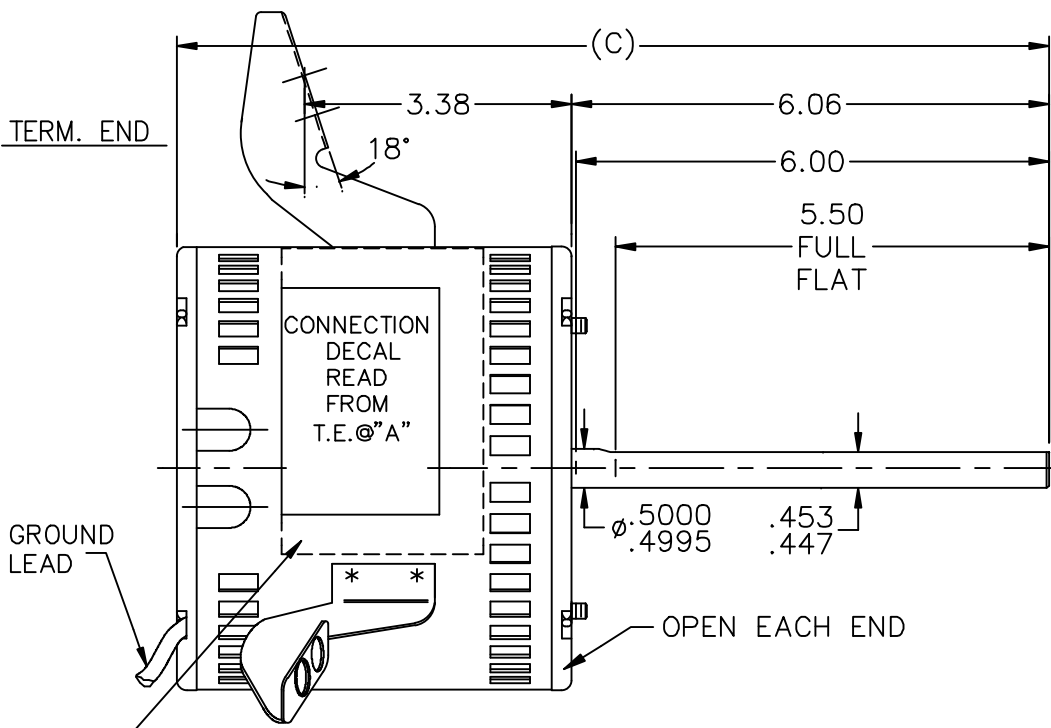
Nameplate Specifications

Output HP	0.25 Hp	Output KW	0.19 kW
Frequency	60 Hz	Voltage	115 V
Current	3.1 A	Speed	1075 rpm
Service Factor	1	Phase	1
Efficiency	52.4 %	Duty	Continuous
Insulation Class	B	Design Code	NO DESIGN CODE
KVA Code	A	Frame	48Z
Enclosure	Open Air Over	Overload Protector	Auto Lock Rotor Only
Ambient Temperature	40 °C	Drive End Bearing Size	6203
Opp Drive End Bearing Size	6203	UL	Recognized
CSA	Y	CE	N
IP Code	10		

Technical Specifications

Electrical Type	Permanent Split Capacitor	Starting Method	Across The Line
Poles	6	Rotation	Selective Counterclockwise
Mounting	Three Lug Mount	Motor Orientation	Horizontal
Drive End Bearing	Ball	Opp Drive End Bearing	Ball
Frame Material	Rolled Steel	Shaft Type	Single Special Extension
Overall Length	10.31 in	Frame Length	3.75 in
Shaft Diameter	0.500 in	Shaft Extension	6.06 in
Assembly/Box Mounting	F1 Only		
Outline Drawing	A-SS403891-375	Connection Diagram	6906500

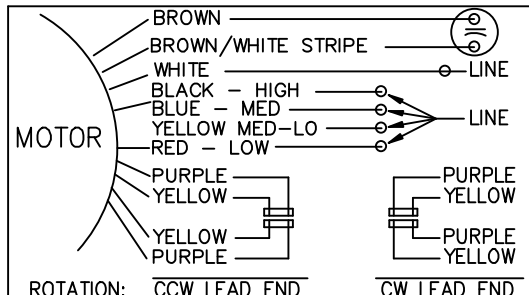
This is an uncontrolled document once printed or downloaded and is subject to change without notice. Date Created: 06/29/2018



N.P. LOC'D @ 45° CW OF 'C' READ FROM T.E. WHEN TWO PIECE N.P. IS USED LOCATE 1/2" ON EACH SIDE OF LUG

LEAD DESCRIPTION:

- 1 WHITE, 1 BLACK, 1 YELLOW, 1 BLUE, & 1 RED LEAD WITH .50 BARE WIRE STRIP. 30.00" LONG.
- 2 BROWN LEADS WITH .25 FLAG-TYPE QUICK CONNECTS, 30.00" LONG. BROWN/WHITE MARKED LEAD IS COMMON TO WHITE.
- REVERSING LEADS ARE MOLDED INTO MATING PULL-APART PLUGS. 1 YELLOW & 1 PURPLE LEAD PER PLUG. 5.00" LONG.
- GREEN LEAD WITH TERM. FOR #10 SCREW 12.00" LONG.

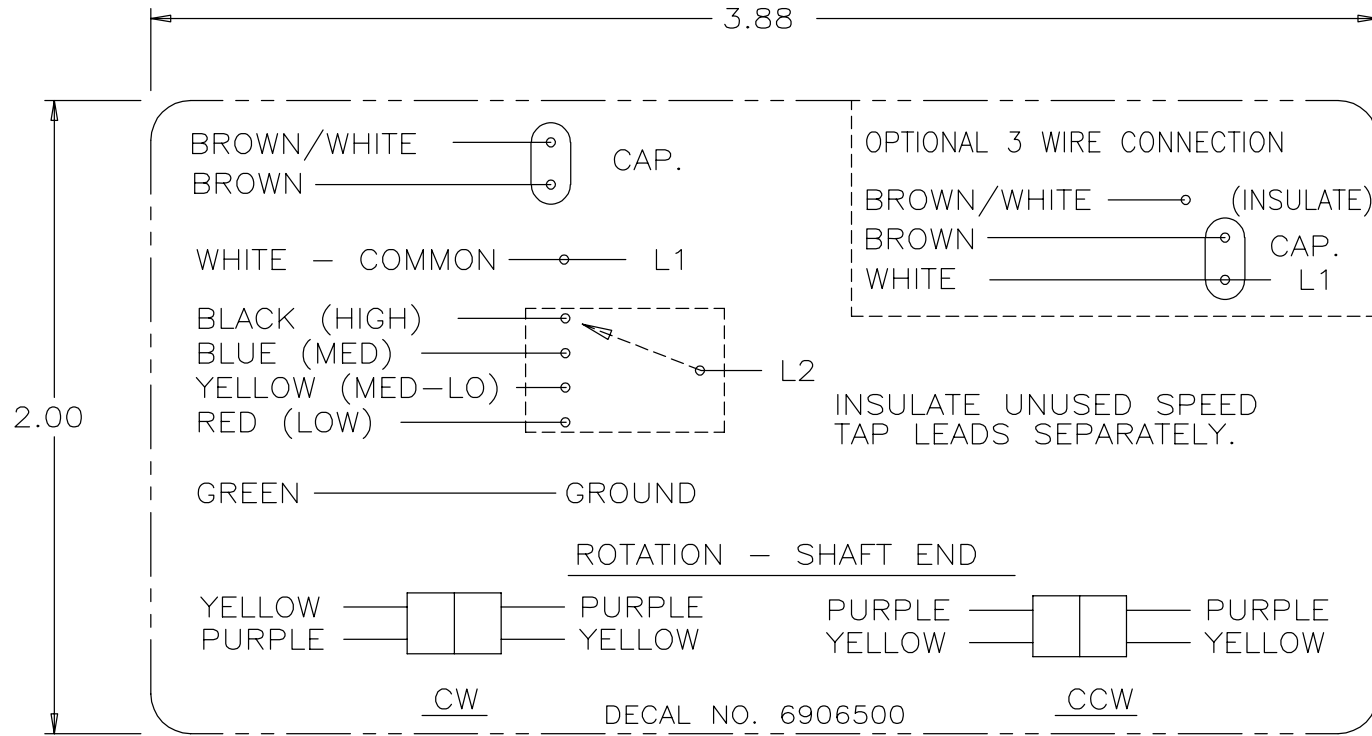


DASH	FR	C
375	48	10.31
400	48	10.56
425	48	10.81
450	48	11.06

11/30/2011

		TOLERANCES UNLESS SPECIFIED		MARATHON ELECTRIC		DRAWN AD 12/29/09	
		DEC.	INCHES			CHK NB 12/29/09	
		.X	±.1	TITLE OUTLINE		APPD NB 12/29/09	
		.XX	±.03	MAT'L.		SCALE 13=32	
		.XXX	±.005	FINISH		REF SS403519	
		.XXXX	±.0005			FMF	
NO.	REVISION	BY & DATE	CHK	ANG	±7'30"	PREV	
			RFP	12/29/09	CAD FILE SS403891		
			DIST	WP			
THIS DRAWING IN DESIGN AND DETAIL IS OUR PROPERTY AND MUST NOT BE USED EXCEPT IN CONNECTION WITH OUR WORK ALL RIGHTS OF DESIGN AND INVENTION ARE RESERVED THIS IS AN ELECTRONICALLY GENERATED DOCUMENT - DO NOT SCALE THIS PRINT						SIZE A	DRAWING NO. SS403891
						PAGE	OF
						REV.	

6906500



NO.	REVISION	BY & DATE	CHK	ANG	±	TOLERANCES UNLESS SPECIFIED		REGAL-BELOIT <i>Motor Technologies</i>	DRAWN MRB 04-16-1998
						DEC.	INCHES		
4	UPDATED PER ECO-0059627	PST 09/08/2014	PI	.X	±.1			CHK	ML 04-22-1998
3	REMOVED 'MARATHON ELECTRIC' CN 35106	DRS 05-01-2002	TOM	.XX	±.02			APPD	GK 04-22-1998
2	PART NAME WAS CONNECTION DIAGRAM CN 25669	MRB 04-23-1998		.XXX	±.005			SCALE	1=1
1	NEW DRAWING CN 25669	MRB 04-22-1998		.XXXX	±.0005			REF	
								FMF	
								PREV	
THIS DRAWING IN DESIGN AND DETAIL IS OUR PROPERTY AND MUST NOT BE USED EXCEPT IN CONNECTION WITH OUR WORK ALL RIGHTS OF DESIGN AND INVENTION ARE RESERVED THIS IS AN ELECTRONICALLY GENERATED DOCUMENT - DO NOT SCALE THIS PRINT						RFP	CAD FILE 6906500	SIZE	DRAWING NO. PAGE OF REV.
						DIST	WP	A	6906500 4

CERTIFICATION DATA SHEET

Model#: 48A1101773 C **WINDING#:** PE4861856 NONE 1
CONN. DIAGRAM: 6906500 **ASSEMBLY:** F1 ONLY
OUTLINE: A-SS403891-375

TYPICAL MOTOR PERFORMANCE DATA

HP	KW	SYNC. RPM	F.L. RPM	FRAME	ENCLOSURE	KVA CODE	DESIGN				
1/4	0.19	1200	1075	48Z	OPAO	A	NO DESIGN CODE				
PH	Hz	VOLTS	FL AMPS	START TYPE	DUTY	INSL	S.F	AMB°C	ELEVATION		
1	60	115	3.05	ACROSS THE LINE	CONTINUOUS	B3	1.0	40	3300		
FULL LOAD EFF: 52.4		3/4 LOAD EFF: -		1/2 LOAD EFF: -		GTD. EFF		ELEC. TYPE		NO LOAD AMPS	
								PSC 4 SPEED		2.1	
F.L. TORQUE		LOCKED ROTOR AMPS		L.R. TORQUE		B.D. TORQUE		F.L. RISE°C			
19.2 LB-FT		6.7		8.8 LB-FT -		27.1 LB-FT -		-			
SOUND PRESSURE @ 3 FT.	SOUND POWER	ROTOR WK^2	MAX. WK^2	SAFE STALL TIME	STARTS /HOUR	APPROX. MOTOR WGT					
- dBA	- dBA	- LB-FT^2	- LB-FT^2	- SEC.	-	- LBS.					

***** SUPPLEMENTAL INFORMATION *****

DE BRACKET TYPE	ODE BRACKET TYPE	MOUNT TYPE	ORIENTATION	SEVERE DUTY	HAZARDOUS LOCATION	DRIP COVER	SCREENS	PAINT
STANDARD	STANDARD	THREE LUG MOUNT	HORIZONTAL	FALSE	NONE	FALSE	NONE	GRAY (POWDER)

BEARINGS		GREASE	SHAFT TYPE	SPECIAL DE	SPECIAL ODE	SHAFT MATERIAL	FRAME MATERIAL
DE	OPE	BEACON 325	SGL SPL EXT	0.500 x 6.00 IN SEF WITH 5.50 IN FULL FLAT	NONE	1144 STRESSPROOF (C-223)	ROLLED STEEL
BALL	BALL						
6203	6203						

THERMO-PROTECTORS				THERMISTORS	CONTROL	SPACE /n HEATERS
THERMOSTATS	PROTECTORS	WDG RTDs	BRG RTDs	NONE	FALSE	NONE VOLTS
NONE	AUT LCK RTR ONLY	NONE	NONE			

If Inverter equals NONE, contact factory for further information

INVERTER TORQUE: NONE
INV. HP SPEED RANGE: NONE
ENCODER: NONE
NONE NONE
NONE NONE PPR
BRAKE: NONE NONE
NONE P/N NONE
NONE NONE
NONE FT-LB NONE V NONE Hz

*
N
O
T
E
S
*

DATE: 06/27/2017 04:31:02 AM
 FORM 3531 REV.3 02/07/99
 ** Subject to change without notice.