

PRODUCT INFORMATION PACKET

marathon[®]
Motors

Model No: 048A11O1744
Catalog No: X405
1/2,1140,OPEN,48Y,1/60/208-230/4
Other Purpose



Regal and Marathon are trademarks of Regal Beloit Corporation or one of its affiliated companies.
©2018 Regal Beloit Corporation, All Rights Reserved. MC017097E

REGAL[®]

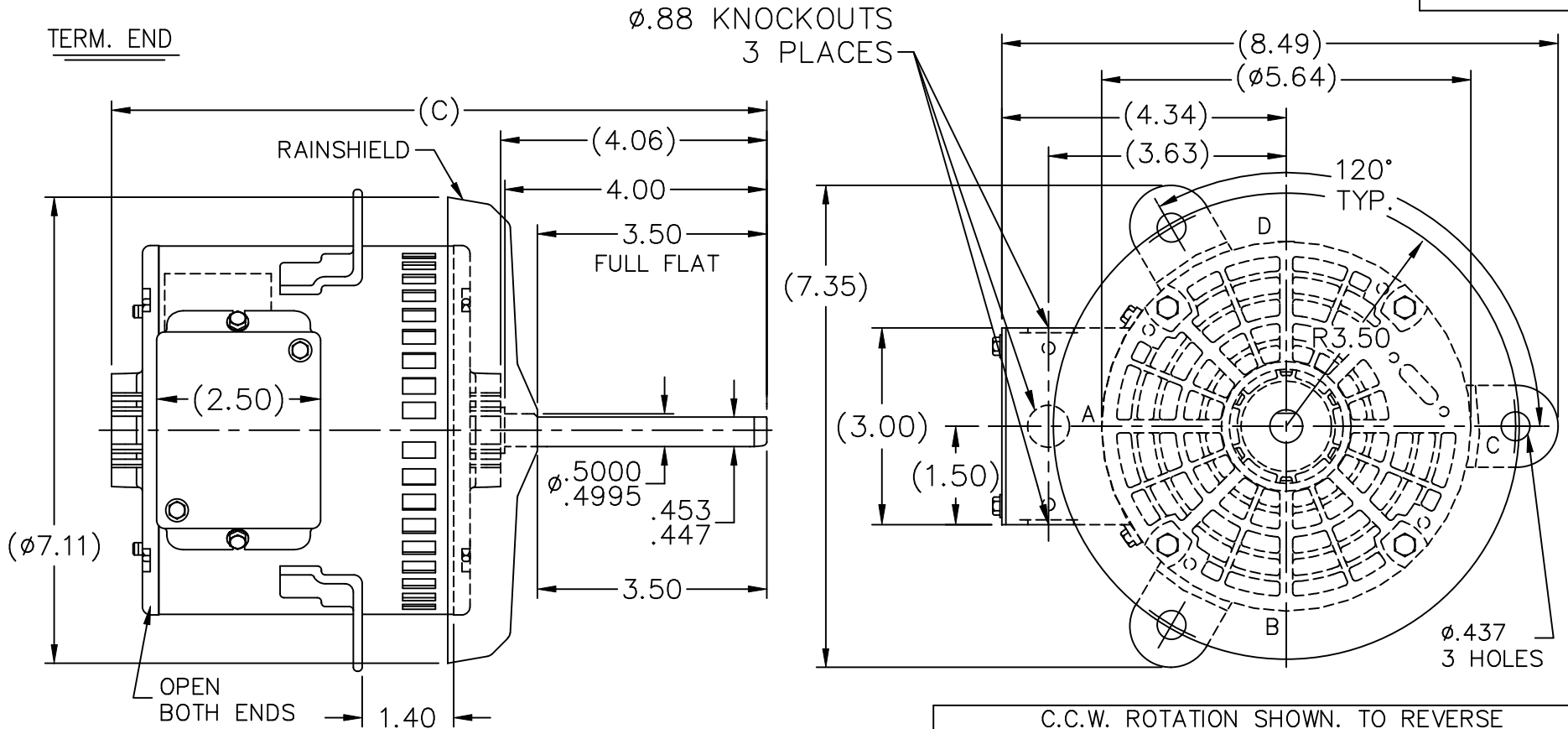
Nameplate Specifications

| | | | |
|----------------------------|----------------------|------------------------|----------------------------------|
| Output HP | 0.50 Hp | Output KW | 0.37 kW |
| Frequency | 60 Hz | Voltage | 208-230/460 V |
| Current | 3.6-3.6/1.8 A | Speed | 1075 rpm |
| Service Factor | 1 | Phase | 1 |
| Efficiency | 65.7 % | Duty | Continuous |
| Insulation Class | B | Design Code | NO DESIGN CODE |
| KVA Code | F | Frame | 48Y |
| Enclosure | Open Air Over | Overload Protector | Automatic Lock Rotor Only |
| Ambient Temperature | 60 °C | Drive End Bearing Size | 6203 |
| Opp Drive End Bearing Size | 6203 | UL | Recognized |
| CSA | Y | CE | N |
| IP Code | 10 | | |

Technical Specifications

| | | | |
|-----------------------|----------------------------------|-----------------------|-----------------------------------|
| Electrical Type | Permanent Split Capacitor | Starting Method | Across The Line |
| Poles | 6 | Rotation | Selective Counterclockwise |
| Mounting | Three Lug Mount | Motor Orientation | Horizontal Or Up Or Down |
| Drive End Bearing | Ball | Opp Drive End Bearing | Ball |
| Frame Material | Rolled Steel | Shaft Type | Single Special Extension |
| Overall Length | 11.82 in | Frame Length | 6.38 in |
| Shaft Diameter | 0.500 in | Shaft Extension | 4.06 in |
| Assembly/Box Mounting | F1 Only | | |
| Outline Drawing | A-SS400183-638 | Connection Diagram | 9513977 |

This is an uncontrolled document once printed or downloaded and is subject to change without notice. Date Created: 10/08/2018



| DASH | FR | C |
|------|-----|-------|
| 475 | 48Y | 10.19 |
| 500 | 48Y | 10.44 |
| 638 | 48Y | 11.82 |

NOTE:
NAMEPLATE LOC. BETWEEN 'C'
& 'D' REAR FROM CONDUIT BOX SIDE.

C.C.W. ROTATION SHOWN. TO REVERSE INTERCHANGE BLUE & BLACK LEADS

| LOW VOLT | | HIGH VOLT | |
|----------|-------|-----------|-------|
| PURPLE | — ○ — | LINE 1 | — ○ — |
| WHITE | — ○ — | LINE 2 | — ○ — |
| YELLOW | — ○ — | | — ○ — |
| BLACK | — ○ — | | — ○ — |
| ORANGE | — ○ — | INSULATE | — ○ — |
| RED | — ○ — | | — ○ — |
| BLUE | — ○ — | INSULATE | — ○ — |
| | | | — ○ — |
| | | | — ○ — |

| NO. | REVISION | BY & DATE | CHK | TOLERANCES UNLESS SPECIFIED | |
|-----|------------------------------------|-------------------------|-----|-----------------------------|--------|
| | | | | ANG | INCHES |
| 5 | UPDATED DRAWING | RJW 04-13-2007 | | DEC. | ±.1 |
| 4 | UPDADTED CONDUIT BOX PER CN39440-6 | TJW | | .X | ±.1 |
| 3 | REDRAWN IN AUTOCAD | TAT 09-01-2004 | ML | .XX | ±.03 |
| 2 | MOUNTING LUG HOLE DIA. WAS .41 | CN 27650 MRB 03-29-1999 | | .XXX | ±.005 |
| 1 | NEW DRAWING | 4358323 BLR 01-29-1996 | | .XXXX | ±.0005 |

MARATHON ELECTRIC

TITLE OUTLINE

MAT'L.

FINISH

DRAWN BLR 01-16-1996

CHK ML 01-17-1996

APPD TOM 01-17-1996

SCALE 13=32

REF

FMF

PREV

| | | | | | | | | | |
|--|--|--|--|---------|-------------------|--------|----------------------|---------|--------|
| THIS DRAWING IN DESIGN AND DETAIL IS OUR PROPERTY AND MUST NOT BE USED EXCEPT IN CONNECTION WITH OUR WORK ALL RIGHTS OF DESIGN AND INVENTION ARE RESERVED THIS IS AN ELECTRONICALLY GENERATED DOCUMENT - DO NOT SCALE THIS PRINT | | | | RFP | CAD FILE ss400183 | SIZE A | DRAWING NO. SS400183 | PAGE OF | REV. 5 |
| | | | | DIST WP | | | | | |

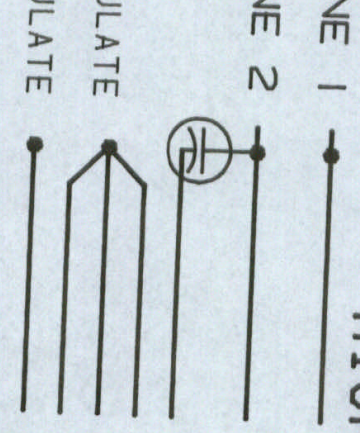
A - 9513977

DOWN. TO REVERSE, IN
CHANGE BLUE WITH BLACK LEADS

HIGH VOLT
PURPLE

YELLOW

BLACK
ORANGE
WHITE
BLUE
RED



ROUGHNESS
NOTED OTHERWISE

UNLESS OTHERWISE SPECIFIED DIMENSIONS ARE IN INCHES
TOL. ON XX# XXX#.005 XXXX#.0005 ANGLES#

MAPATHON
ELECTRICAL
WAUSAU, WISCONSIN 54401

| | | |
|-------------|----|---------|
| DRAWN BY | RM | 1-24-92 |
| CHECKED BY | ML | 1-28-92 |
| APPROVED BY | | |

DIAGRAM INSERT

DRWG NO
A - 9513977

