

# PRODUCT INFORMATION PACKET

**marathon**<sup>®</sup>  
Motors

Model No: 048A11O1109  
Catalog No: X222  
1/3,1075,OPAO,48Y,1/60/230  
Other Purpose



Regal and Marathon are trademarks of Regal Beloit Corporation or one of its affiliated companies.

©2018 Regal Beloit Corporation, All Rights Reserved. MC017097E

**REGAL**<sup>®</sup>

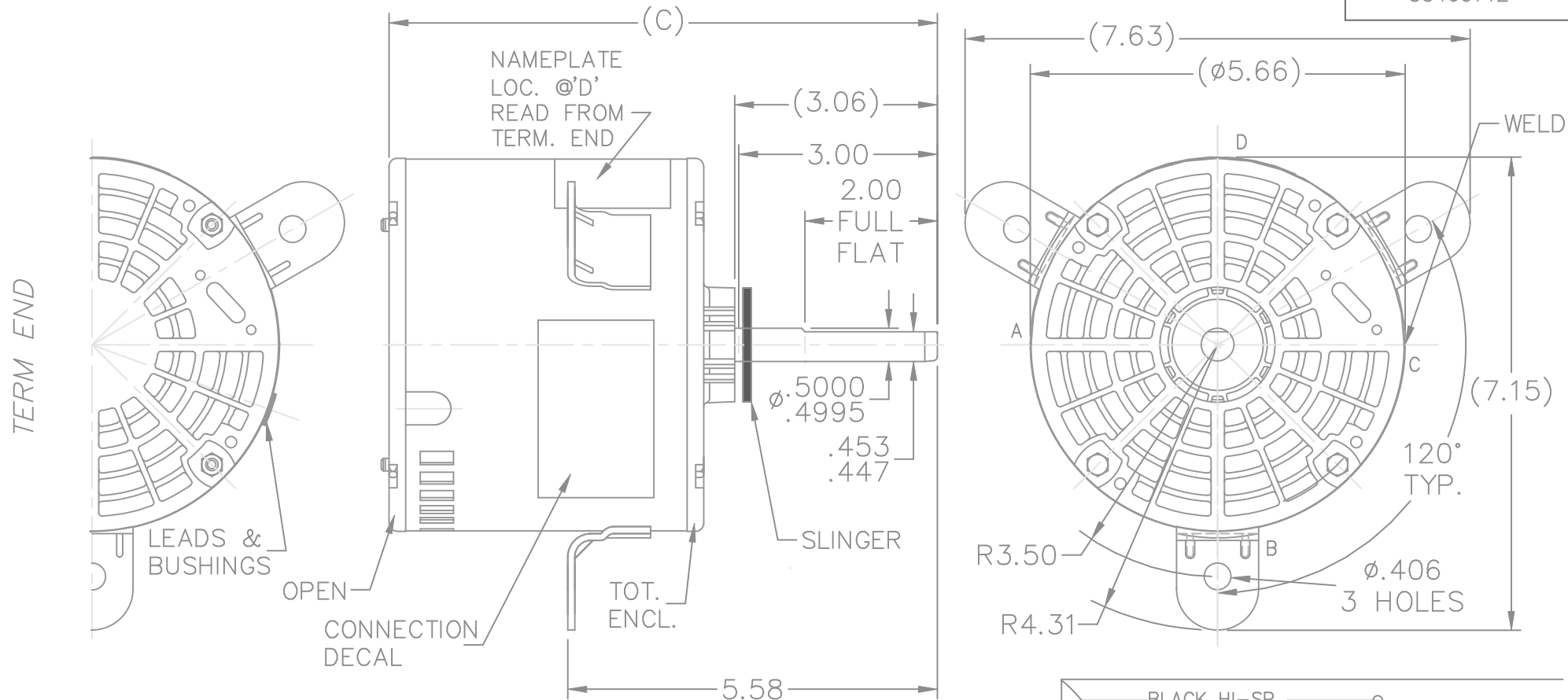
### **Nameplate Specifications**

Output HP	<b>0.33 Hp</b>	Output KW	<b>0.25 kW</b>
Frequency	<b>60 Hz</b>	Voltage	<b>230 V</b>
Current	<b>2.6 A</b>	Speed	<b>1075 rpm</b>
Service Factor	<b>1</b>	Phase	<b>1</b>
Efficiency	<b>66 %</b>	Duty	<b>Continuous</b>
Insulation Class	<b>B</b>	Design Code	<b>NO DESIGN CODE</b>
KVA Code	<b>C</b>	Frame	<b>48Y</b>
Enclosure	<b>Open Air Over</b>	Overload Protector	<b>Automatic Lock Rotor Only</b>
Ambient Temperature	<b>40 °C</b>	Drive End Bearing Size	<b>6203</b>
Opp Drive End Bearing Size	<b>6203</b>	UL	<b>Recognized</b>
CSA	<b>Y</b>	CE	<b>N</b>
IP Code	<b>10</b>		

### **Technical Specifications**

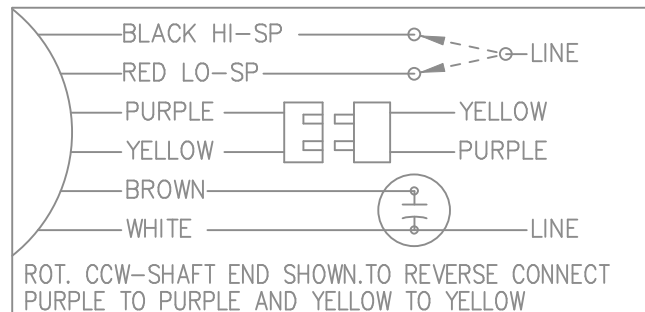
Electrical Type	<b>Permanent Split Capacitor</b>	Starting Method	<b>Across The Line</b>
Poles	<b>6</b>	Rotation	<b>Selective Counterclockwise</b>
Mounting	<b>Three Lug Mount</b>	Motor Orientation	<b>Horizontal</b>
Drive End Bearing	<b>Ball</b>	Opp Drive End Bearing	<b>Ball</b>
Frame Material	<b>Rolled Steel</b>	Shaft Type	<b>Single Special Extension</b>
Overall Length	<b>8.25 in</b>	Frame Length	<b>4.25 in</b>
Shaft Diameter	<b>0.500 in</b>	Shaft Extension	<b>3.06 in</b>
Assembly/Box Mounting	<b>F1 Only</b>		
Outline Drawing	<b>A-SS403712-425</b>	Connection Diagram	<b>6906489</b>

**This is an uncontrolled document once printed or downloaded and is subject to change without notice. Date Created: 10/08/2018**



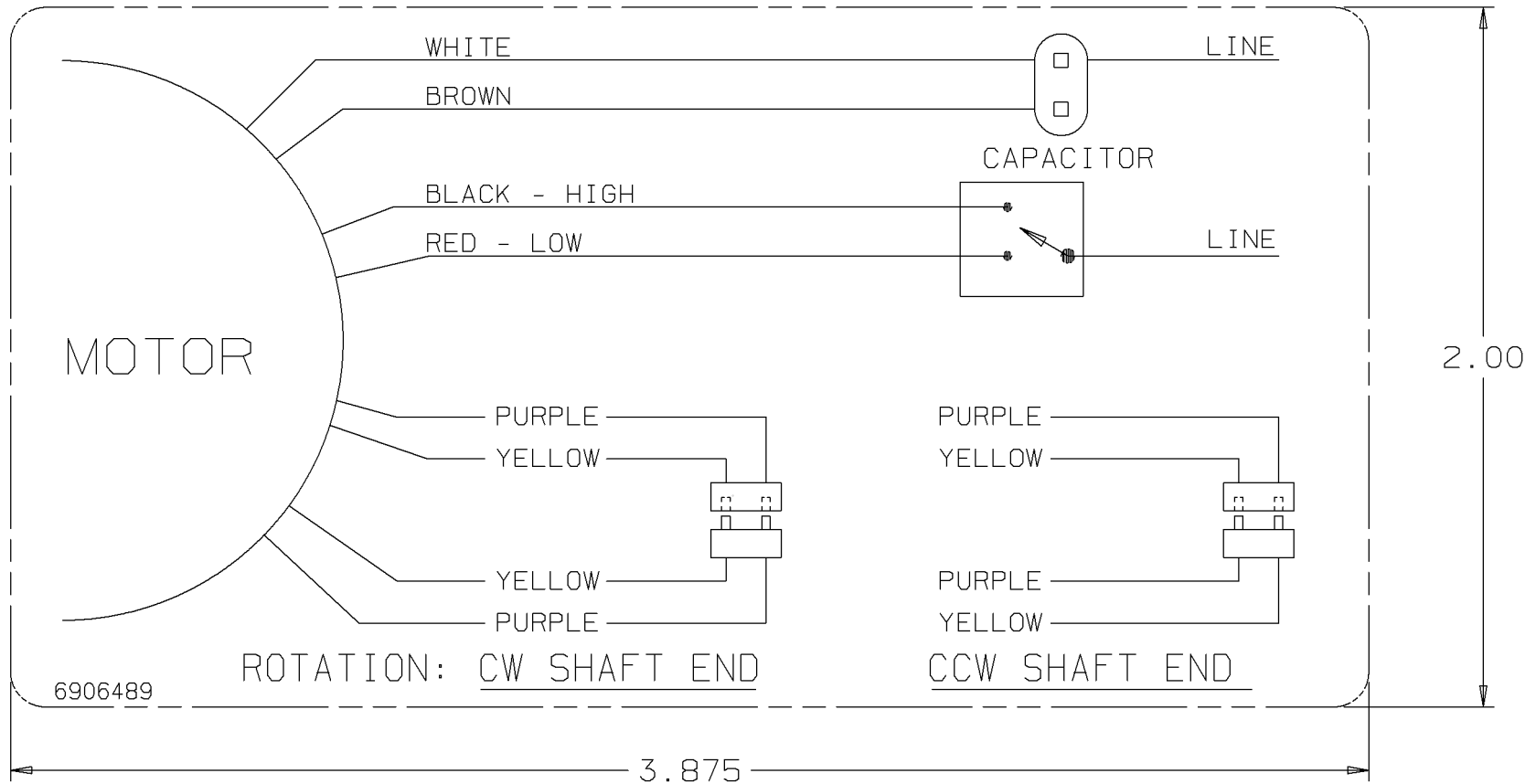
LEAD DESCRIPTION:  
 1 WHITE, 1 BLACK, 1 RED, 1 BROWN W/.25  
 FLAG TYPE QUICK CONN. 46.00-44.00 LONG


REVERSING LEADS ARE MOLDED INTO MATING  
 PULL APART PLUGS - ONE PURPLE AND ONE  
 YELLOW PER PLUG 4.0-6.0 LONG



DASH	FR	C
425	48	8.25

				TOLERANCES UNLESS SPECIFIED		<p><b>MARATHON ELECTRIC</b></p>	DRAWN GRB 05-07-2008					
				DEC.	INCHES		CHK	SP 05-07-2008				
				.X	±.1		APPD	SP 05-07-2008				
				.XX	±.03		SCALE	7=16				
				.XXX	±.005		REF					
				.XXXX	±.0005	MAT'L.	FMF					
NO.	REVISION	BY & DATE	CHK	ANG	±7'30"	FINISH	PREV					
THIS DRAWING IN DESIGN AND DETAIL IS OUR PROPERTY AND MUST NOT BE USED EXCEPT IN CONNECTION WITH OUR WORK ALL RIGHTS OF DESIGN AND INVENTION ARE RESERVED THIS IS AN ELECTRONICALLY GENERATED DOCUMENT - DO NOT SCALE THIS PRINT				RFP		CAD FILE	SS403712	SIZE	DRAWING NO.	PAGE	OF	REV.
				DIST	WP			A	SS403712			



				✓ MAX. SURFACE ROUGHNESS UNLESS NOTED OTHERWISE	UNLESS OTHERWISE SPECIFIED DIMENSIONS ARE IN INCHES TOL. ON XX±    XXX±.005    XXXX±.0005    ANGLES±			
				MATL SPEC				DRAWN BY MRB 04-16-1998
				FINISH	 WAUSAU, WISCONSIN 54401			
I	04-22-1998	NEW DRAWING	CN 25669	MRB				CHKD BY ML 04-22-1998
								APPD BY GK 04-22-1998
REV	DATE	CHANGE	NAME	PART NAME CONNECTION DECAL				DRWG NO A- 6906489
		SHOP BOOK	PURCHASED	DISTRIBUTION - WA - LB - WP - LM			CADD FILE NO.	6906489