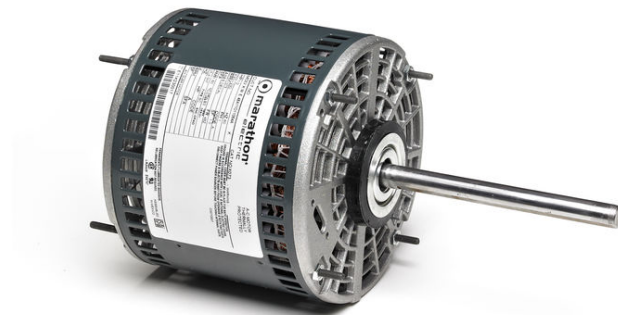


# PRODUCT INFORMATION PACKET

**marathon**<sup>®</sup>  
Motors

Model No: 048A11O11066  
Catalog No: X077  
1/2,1075,OPAO,48Y,1/60/115  
Direct Drive



Regal and Marathon are trademarks of Regal Beloit Corporation or one of its affiliated companies.  
©2018 Regal Beloit Corporation, All Rights Reserved. MC017097E

**REGAL**<sup>®</sup>

**Nameplate Specifications**

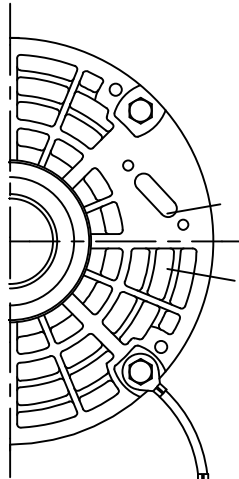
Output HP	<b>0.50 Hp</b>	Output KW	<b>0.37 kW</b>
Frequency	<b>60 Hz</b>	Voltage	<b>115 V</b>
Current	<b>6.1 A</b>	Speed	<b>1075 rpm</b>
Service Factor	<b>1</b>	Phase	<b>1</b>
Efficiency	<b>64 %</b>	Duty	<b>Continuous</b>
Insulation Class	<b>B</b>	Design Code	<b>NO DESIGN CODE</b>
KVA Code	<b>A</b>	Frame	<b>48Y</b>
Enclosure	<b>Open Air Over</b>	Overload Protector	<b>Automatic Lock Rotor Only</b>
Ambient Temperature	<b>40 °C</b>	Drive End Bearing Size	<b>6203</b>
Opp Drive End Bearing Size	<b>6203</b>	UL	<b>Recognized</b>
CSA	<b>N</b>	CE	<b>N</b>
IP Code	<b>10</b>		

**Technical Specifications**

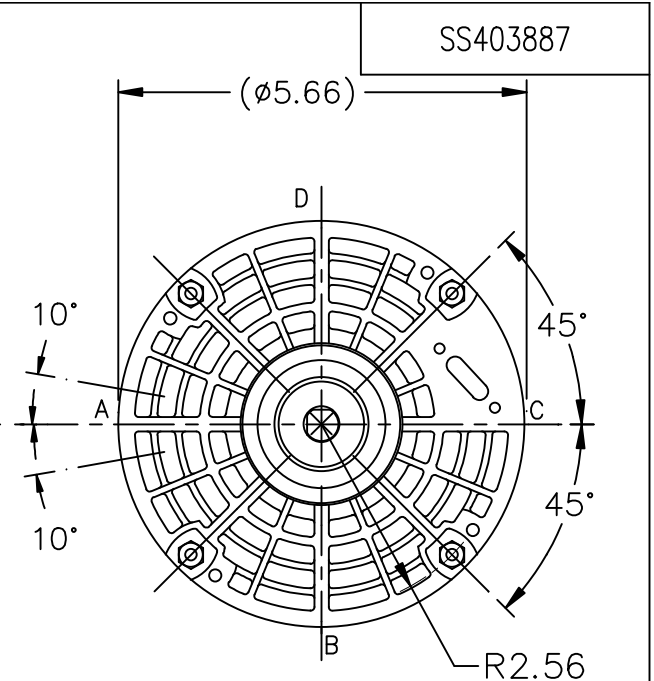
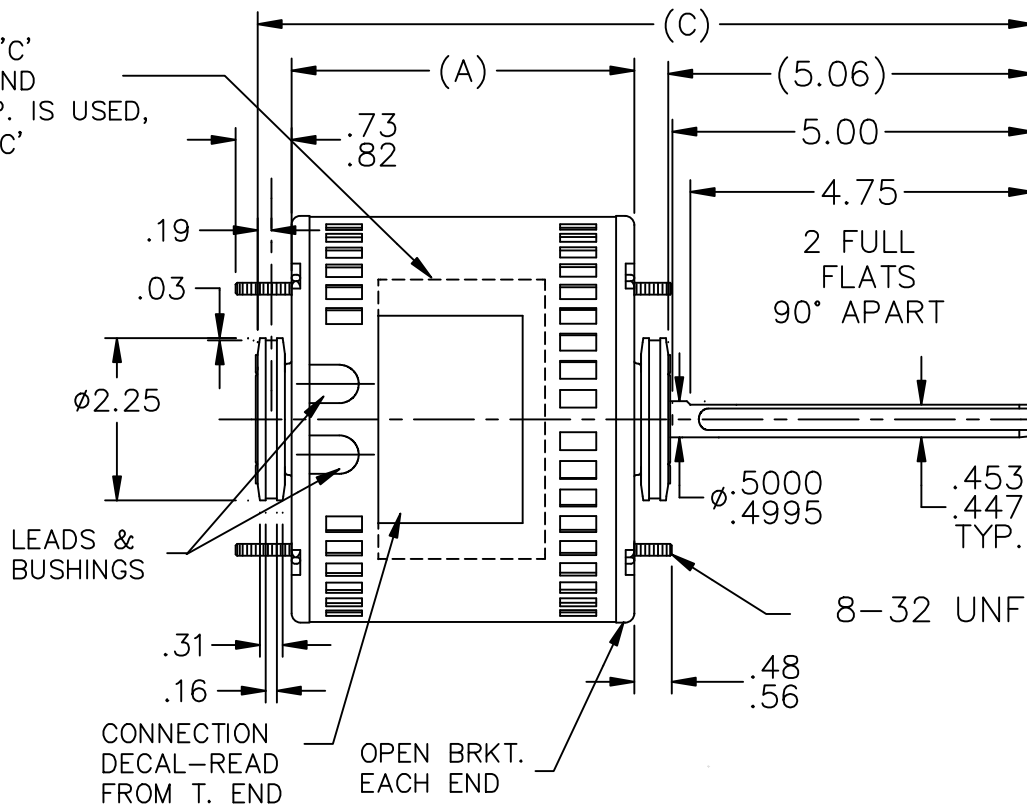
Electrical Type	<b>Permanent Split Capacitor</b>	Starting Method	<b>Across The Line</b>
Poles	<b>6</b>	Rotation	<b>Selective Counterclockwise</b>
Mounting	<b>Resilient Ring - Extended Studs</b>	Motor Orientation	<b>Horizontal</b>
Drive End Bearing	<b>Ball</b>	Opp Drive End Bearing	<b>Ball</b>
Frame Material	<b>Rolled Steel</b>	Shaft Type	<b>Single Special Extension</b>
Overall Length	<b>11.00 in</b>	Frame Length	<b>4.50 in</b>
Shaft Diameter	<b>0.500 in</b>	Shaft Extension	<b>5.06 in</b>
Assembly/Box Mounting	<b>F1 Only</b>		
Outline Drawing	<b>A-SS403887-450</b>	Connection Diagram	<b>6906485</b>

**This is an uncontrolled document once printed or downloaded and is subject to change without notice. Date Created: 10/08/2018**

NAMEPLATE LOC. @ 'C'  
 READ FROM TERM. END  
 WHEN TWO PART N.P. IS USED,  
 CENTER PIECES AT 'C'



GROUND LEAD  
 TERM. END



LEAD DESCRIPTION:

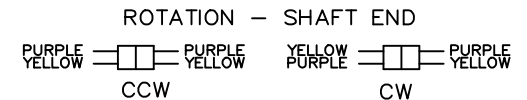
DASH	FR.	C	A
425	48Y	10.75	4.75
450	48Y	11.00	5.00

1 WHITE, 1 BLACK, 1 BLUE, 1 RED, & 1 ORANGE LEAD WITH  
 .25 FLAG-TYPE QUICK CONNECTS 36.00" LONG.  
 1 BROWN & WHITE AND  
 1 BROWN LEAD WITH .25 FLAG-TYPE QUICK  
 CONNECTS 36.00" LONG.

REVERSING LEADS ARE MOLDED INTO MATING  
 PULL-APART PLUGS. 1 YELLOW & 1 PURPLE  
 LEAD PER PLUG. 6.00" LONG.

GREEN GROUND LEAD WITH TERM. FOR  
 #10 SCREW 12.00" LONG.

WHITE ————— L1  
 BLACK — HIGH  
 BLUE — MED HIGH  
 ORANGE — MED LOW  
 RED — LOW



INSULATE UNUSED SPEED TAP LEADS SEPARATELY. BROWN/WHITE BROWN ———— CAP.

NO.	REVISION	BY & DATE	TOLERANCES UNLESS SPECIFIED	
			DEC.	INCHES
			.X	±.1
			.XX	±.03
			.XXX	±.005
			.XXXX	±.0005
			CHK ANG	±7'30"



TITLE OUTLINE

MAT'L.

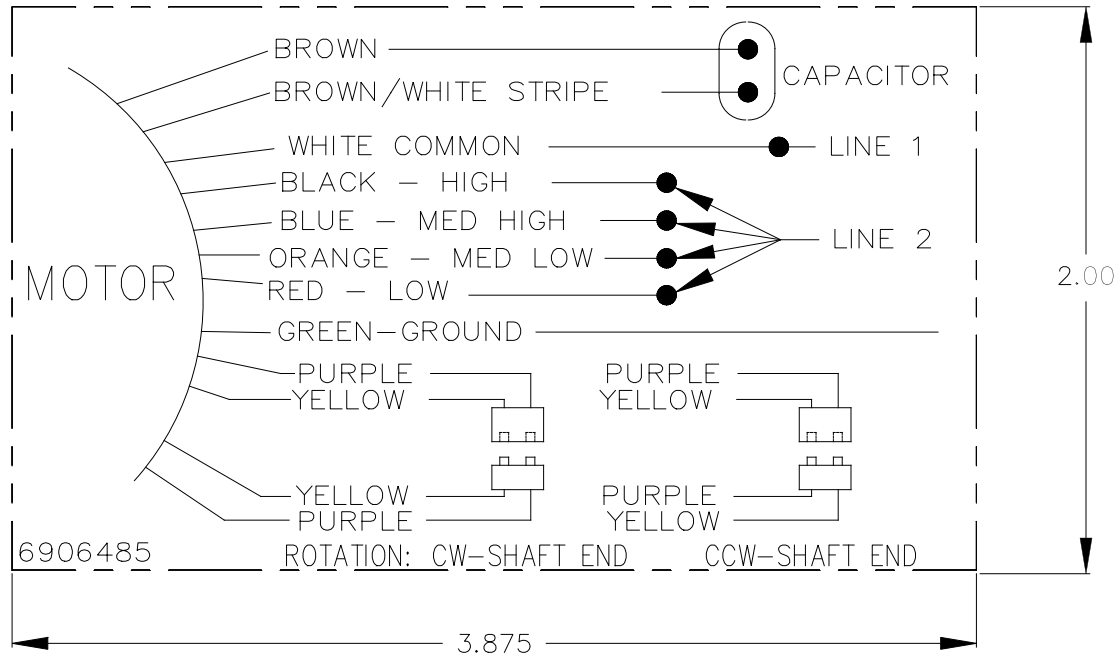
FINISH

DRAWN	NB 12/29/09
CHK	NB 12/29/09
APPD	NB 12/29/09
SCALE	3=8
REF	SS403373
FMF	048A11011066
PREV	

THIS DRAWING IN DESIGN AND DETAIL IS OUR PROPERTY AND MUST NOT BE USED EXCEPT  
 IN CONNECTION WITH OUR WORK ALL RIGHTS OF DESIGN AND INVENTION ARE RESERVED  
 THIS IS AN ELECTRONICALLY GENERATED DOCUMENT - DO NOT SCALE THIS PRINT

RFP	CAD FILE	ss403373	SIZE	DRAWING NO.	PAGE	OF	REV.
DIST	WP		A	SS403887			

2/26/2010 9:22:26 AM



				TOLERANCES UNLESS SPECIFIED			DRAWN KK 12/16/16		
				DEC.	INCHES		CHK		
				.X	±.1		APPD KK 12/16/16		
				.XX	±.03		SCALE 1=1		
				.XXX	±.005		REF		
				.XXXX	±.0005	MAT'L.			
				ANG	±7'30"	FINISH			
				RFP		CAD FILE 6906485			
				DIST WP		SIZE A	DRAWING NO. 6906485	PAGE OF	REV.

THIS DRAWING IN DESIGN AND DETAIL IS OUR PROPERTY AND MUST NOT BE USED EXCEPT IN CONNECTION WITH OUR WORK ALL RIGHTS OF DESIGN AND INVENTION ARE RESERVED THIS IS AN ELECTRONICALLY GENERATED DOCUMENT - DO NOT SCALE THIS PRINT

**CERTIFICATION DATA SHEET**

**Model#:** 48A11011066 B      **WINDING#:** PE4861767 NONE 1  
**CONN. DIAGRAM:** 6906485      **ASSEMBLY:** F1 ONLY  
**OUTLINE:** A-SS403887-450

**TYPICAL MOTOR PERFORMANCE DATA**

HP	KW	SYNC. RPM	F.L. RPM	FRAME	ENCLOSURE	KVA CODE	DESIGN
1/2	.37	1200	1075	48Y	OPAO	A	NO DESIGN CODE

PH	Hz	VOLTS	FL AMPS	START TYPE	DUTY	INSL	S.F	AMB°C	ELEVATION
1	60	115	6.1	ACROSS THE LINE	CONTINUOUS	B3	1.0	40	3300

FULL LOAD EFF: 64	3/4 LOAD EFF: 62.7	1/2 LOAD EFF: 54.8	GTD. EFF	ELEC. TYPE	NO LOAD AMPS
FULL LOAD PF: 90.9	3/4 LOAD PF: 87.7	1/2 LOAD PF: 80.8	0	PSC 4 SPEED	3

F.L. TORQUE	LOCKED ROTOR AMPS	L.R. TORQUE	B.D. TORQUE	F.L. RISE°C
38.3 LB-FT	13.3	12 LB-FT -	51.7 LB-FT -	0

SOUND PRESSURE @ 3 FT.	SOUND POWER	ROTOR WK^2	MAX. WK^2	SAFE STALL TIME	STARTS /HOUR	APPROX. MOTOR WGT
- dBA	- dBA	- LB-FT^2	- LB-FT^2	10 SEC.	-	- LBS.

**\*\*\* SUPPLEMENTAL INFORMATION \*\*\***

DE BRACKET TYPE	ODE BRACKET TYPE	MOUNT TYPE	ORIENTATION	SEVERE DUTY	HAZARDOUS LOCATION	DRIP COVER	SCREENS	PAINT
STANDARD	STANDARD	RESILIENT RING-EXTENDED STUDS	HORIZONTAL	FALSE	NONE	FALSE	NONE	GRAY (POWDER)

BEARINGS		GREASE	SHAFT TYPE	SPECIAL DE	SPECIAL ODE	SHAFT MATERIAL	FRAME MATERIAL
DE	OPE						
BALL	BALL	BEACON 325	SGL SPL EXT	0.500 x 5.00 IN SEF WITH 4.50 IN DOUBLE FULL FLAT	NONE	1144 STRESSPROOF (C-223)	ROLLED STEEL
6203	6203						

THERMO-PROTECTORS				THERMISTORS	CONTROL	SPACE /n HEATERS
THERMOSTATS	PROTECTORS	WDG RTDs	BRG RTDs			
NONE	AUT LCK RTR ONLY	NONE	NONE	NONE	FALSE	NONE VOLTS

If Inverter equals NONE, contact factory for further information

INVERTER TORQUE: NONE
INV. HP SPEED RANGE: NONE
ENCODER: NONE
NONE NONE
NONE NONE PPR
BRAKE: NONE NONE
NONE P/N NONE
NONE NONE
NONE FT-LB NONE V NONE Hz

\*  
N  
O  
T  
E  
S  
\*

DATE: 06/27/2017 03:33:36 AM

Uncontrolled Copy

FORM 3531 REV.3 02/07/99  
\*\* Subject to change without notice.