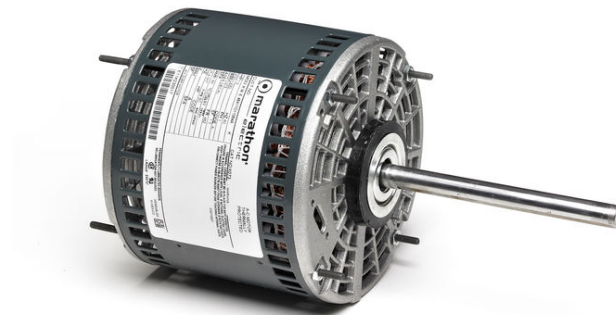


PRODUCT INFORMATION PACKET

marathon[®]
Motors

Model No: 048A11O11042
Catalog No: X074
3/4,1140,OPAO,48Y,1/60/115
Direct Drive



Regal and Marathon are trademarks of Regal Beloit Corporation or one of its affiliated companies.
©2018 Regal Beloit Corporation, All Rights Reserved. MC017097E

REGAL[®]

Nameplate Specifications

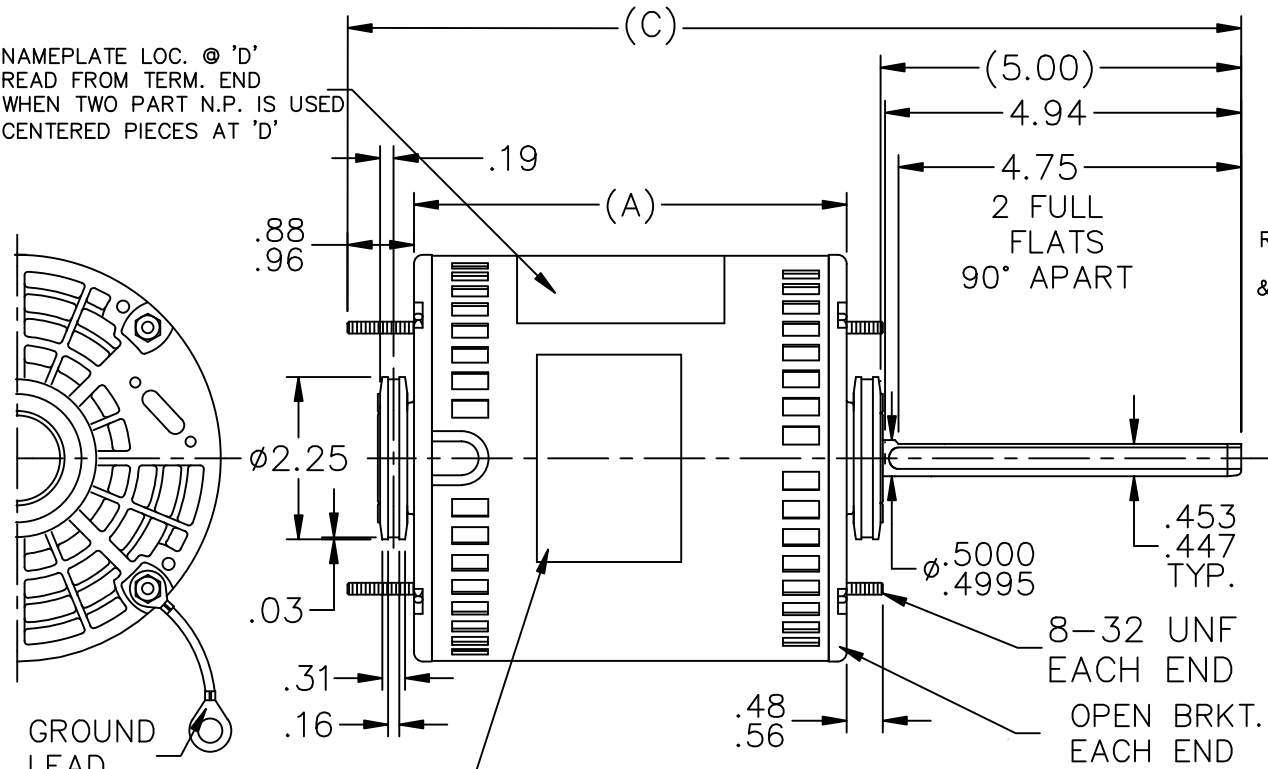
Output HP	0.75 Hp	Output KW	0.56 kW
Frequency	60 Hz	Voltage	115 V
Current	7.8 A	Speed	1075 rpm
Service Factor	1	Phase	1
Efficiency	68.5 %	Duty	Continuous
Insulation Class	B	Design Code	NO DESIGN CODE
KVA Code	C	Frame	48Y
Enclosure	Open Air Over	Overload Protector	Automatic Lock Rotor Only
Ambient Temperature	40 °C	Drive End Bearing Size	6203
Opp Drive End Bearing Size	6203	UL	Recognized
CSA	Y	CE	N
IP Code	10		

Technical Specifications

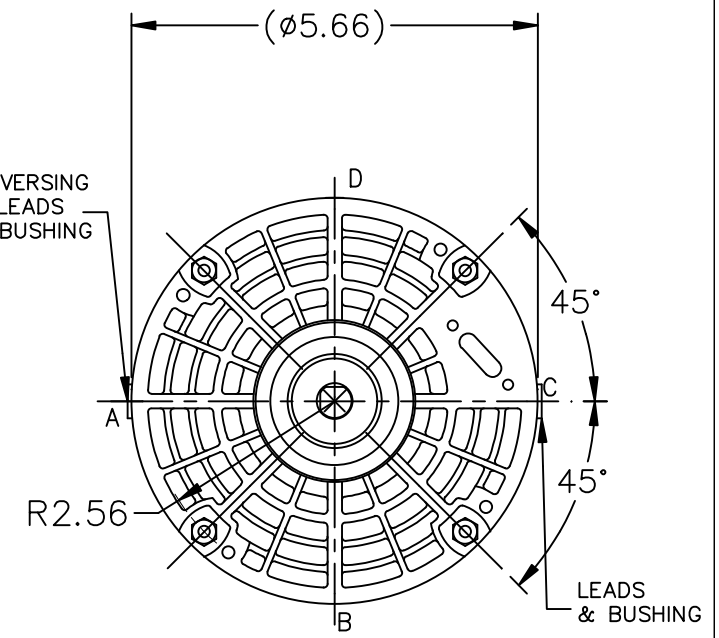
Electrical Type	Permanent Split Capacitor	Starting Method	Across The Line
Poles	6	Rotation	Selective Counterclockwise
Mounting	Resilient Ring - Extended Studs	Motor Orientation	Horizontal
Drive End Bearing	Ball	Opp Drive End Bearing	Ball
Frame Material	Rolled Steel	Shaft Type	Single Special Extension
Overall Length	12.22 in	Frame Length	5.50 in
Shaft Diameter	0.500 in	Shaft Extension	5 in
Assembly/Box Mounting	F1 Only		
Outline Drawing	A-SS403368-550	Connection Diagram	6906485

This is an uncontrolled document once printed or downloaded and is subject to change without notice. Date Created: 10/08/2018

NAMEPLATE LOC. @ 'D'
READ FROM TERM. END
WHEN TWO PART N.P. IS USED
CENTERED PIECES AT 'D'



REVERSING LEADS & BUSHING



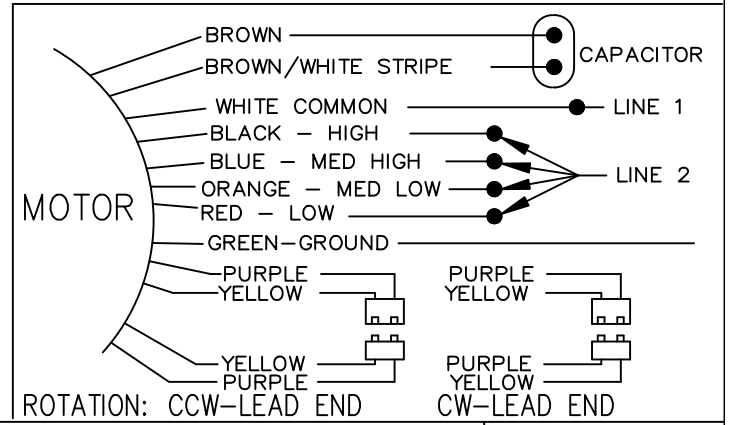
LEAD DESCRIPTION:
1 EACH, WHITE, BLACK, BLUE, RED, & ORANGE WITH .25" FLAG STYLE QUICK CONNECT, EXIT MOTOR AT 'C' 36.00" LONG

2 BROWN LEADS WITH .25 FLAG TYPE QUICK CONNECT 36.00" LONG, EXIT MOTOR @ 'A'

REVERSING LEADS ARE MOLDED INTO MATING PULL-APART PLUGS. 1 YELLOW & 1 PURPLE LEAD PER PLUG 4.00" LONG, EXIT MOTOR @ 'A'

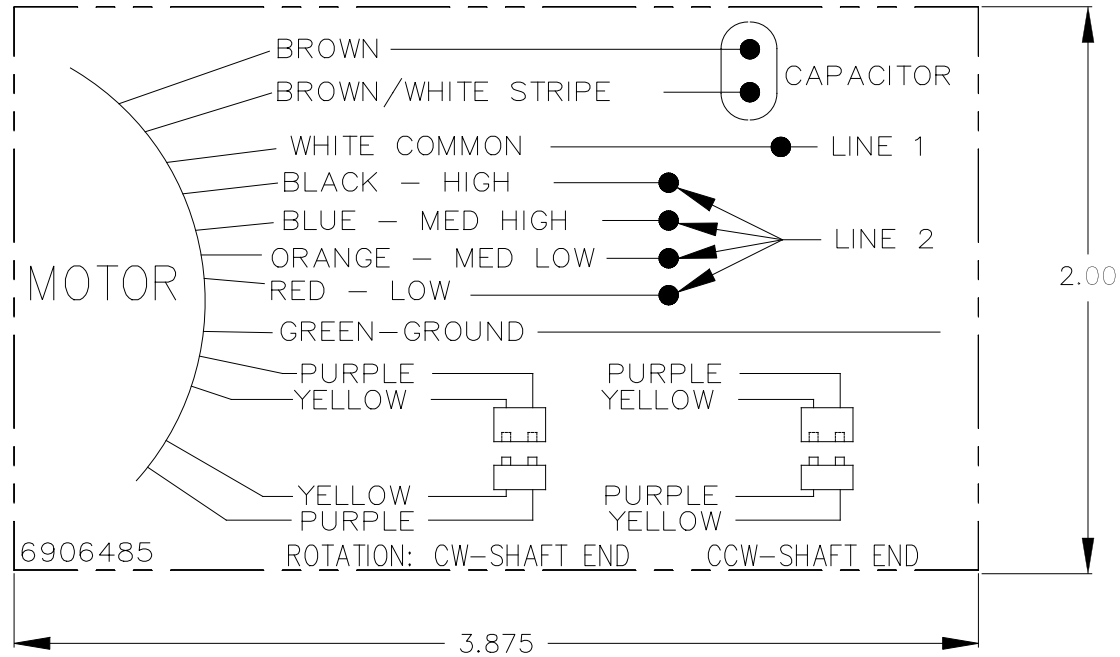
1 GREEN GROUND LEAD WITH TERMINAL FOR # 10 SCREW, 8.00" LONG.

DASH	FR.	C	A
550	48Y	12.22	6.00



				TOLERANCES UNLESS SPECIFIED		MARATHON ELECTRIC		DRAWN NJS 10-30-2003	
				DEC.	INCHES			CHK	ML 10-31-2003
				.X	±.1	TITLE OUTLINE		APPD	MJS 10-31-2003
				.XX	±.03			SCALE	3=8
2	ODE STUD BOLT EXT WAS .73/.82	ISAAC10-1643	TJW 4/22/2010	CTO	.XXX	±.005			REF
1	CHANGED LEAD LENGTHS TO 36." WAS 30." CN 37506	NJS 01-07-2004	MJS	.XXXX	±.0005	MAT'L.		FMF	CN 37365
NO.	REVISION	BY & DATE	CHK	ANG	±7'30"		FINISH	PREV	

THIS DRAWING IN DESIGN AND DETAIL IS OUR PROPERTY AND MUST NOT BE USED EXCEPT IN CONNECTION WITH OUR WORK ALL RIGHTS OF DESIGN AND INVENTION ARE RESERVED THIS IS AN ELECTRONICALLY GENERATED DOCUMENT - DO NOT SCALE THIS PRINT				RFP 11-03-2003	CAD FILE ss403368	SIZE A	DRAWING NO. SS403368	PAGE OF	REV. 2
				DIST WP					



				TOLERANCES UNLESS SPECIFIED			DRAWN KK 12/16/16					
				DEC.	INCHES		CHK					
				.X	±.1		APPD KK 12/16/16					
				.XX	±.03		SCALE 1=1					
				.XXX	±.005		REF					
				.XXXX	±.0005	MAT'L.						
				ANG	±7'30"	FINISH						
				CHK	ANG	PREV						
THIS DRAWING IN DESIGN AND DETAIL IS OUR PROPERTY AND MUST NOT BE USED EXCEPT IN CONNECTION WITH OUR WORK ALL RIGHTS OF DESIGN AND INVENTION ARE RESERVED THIS IS AN ELECTRONICALLY GENERATED DOCUMENT - DO NOT SCALE THIS PRINT				RFP	CAD FILE 6906485		SIZE	DRAWING NO.	PAGE	OF	REV.	
				DIST	WP			A	6906485			

CERTIFICATION DATA SHEET

Model#: 48A11011042 A WINDING#: PE4862082 NONE 1
 CONN. DIAGRAM: 6906485 ASSEMBLY: F1 ONLY
 OUTLINE: A-SS403368-550

TYPICAL MOTOR PERFORMANCE DATA

HP	KW	SYNC. RPM	F.L. RPM	FRAME	ENCLOSURE	KVA CODE	DESIGN
3/4	.56	1200	1075	48Y	OPAO	C	NO DESIGN CODE

PH	Hz	VOLTS	FL AMPS	START TYPE	DUTY	INSL	S.F	AMB°C	ELEVATION
1	60	115	7.8	ACROSS THE LINE	CONTINUOUS	B3	1.0	40	3300

FULL LOAD EFF: 68.5	3/4 LOAD EFF: -	1/2 LOAD EFF: -	GTD. EFF	ELEC. TYPE	NO LOAD AMPS
FULL LOAD PF: 95.5	3/4 LOAD PF: -	1/2 LOAD PF: -	0	PSC 4 SPEED	-

F.L. TORQUE	LOCKED ROTOR AMPS	L.R. TORQUE	B.D. TORQUE	F.L. RISE°C
55.7 LB-FT	23.1	22.7 LB-FT 41	92.7 LB-FT 166	0

SOUND PRESSURE @ 3 FT.	SOUND POWER	ROTOR WK^2	MAX. WK^2	SAFE STALL TIME	STARTS /HOUR	APPROX. MOTOR WGT
0 dBA	10 dBA	0 LB-FT^2	0 LB-FT^2	0 SEC.	0	0 LBS.

*** SUPPLEMENTAL INFORMATION ***

DE BRACKET TYPE	ODE BRACKET TYPE	MOUNT TYPE	ORIENTATION	SEVERE DUTY	HAZARDOUS LOCATION	DRIP COVER	SCREENS	PAINT
STANDARD	STANDARD	RESILIENT RING-EXTENDED STUDS	HORIZONTAL	FALSE	NONE	FALSE	NONE	GRAY (POWDER)

BEARINGS		GREASE	SHAFT TYPE	SPECIAL DE	SPECIAL ODE	SHAFT MATERIAL	FRAME MATERIAL
DE	OPE						
BALL	BALL	BEACON 325	SGL SPL EXT	0.500 x 5.00 IN SEF WITH 4.50 IN DOUBLE FULL FLAT	NONE	1144 STRESSPROOF (C-223)	ROLLED STEEL
6203	6203						

THERMO-PROTECTORS				THERMISTORS	CONTROL	SPACE /n HEATERS
THERMOSTATS	PROTECTORS	WDG RTDs	BRG RTDs			
NONE	AUT LCK RTR ONLY	NONE	NONE	NONE	FALSE	NONE VOLTS

If Inverter equals NONE, contact factory for further information

INVERTER TORQUE: NONE
INV. HP SPEED RANGE: NONE
ENCODER: NONE
NONE NONE
NONE NONE PPR
BRAKE: NONE NONE
NONE P/N NONE
NONE NONE
NONE FT-LB NONE V NONE Hz

*
N
O
T
E
S
*

DATE: 06/27/2017 03:31:15 AM

Uncontrolled Copy

FORM 3531 REV.3 02/07/99
** Subject to change without notice.