

PRODUCT INFORMATION PACKET

marathon[®]
Motors

Model No: 048A11O1062
Catalog No: X203
1/2,1075,OPEN,48Y,1/60/208-230
Other Purpose



Regal and Marathon are trademarks of Regal Beloit Corporation or one of its affiliated companies.
©2018 Regal Beloit Corporation, All Rights Reserved. MC017097E

REGAL[®]

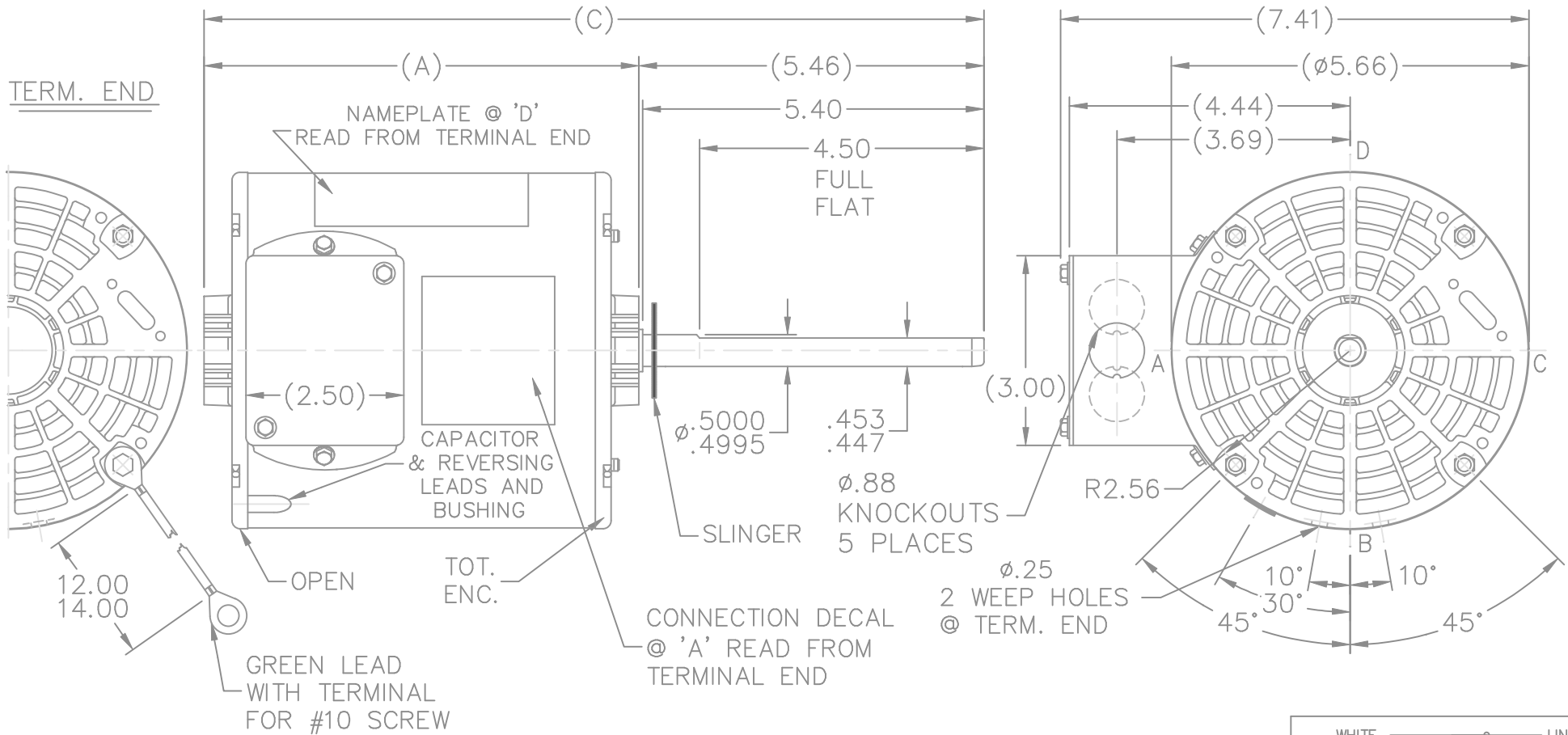
Nameplate Specifications

Output HP	0.50 Hp	Output KW	0.37 kW
Frequency	60 Hz	Voltage	208-230 V
Current	5.7-5.3 A	Speed	1075 rpm
Service Factor	1	Phase	1
Efficiency	64 %	Duty	Continuous
Insulation Class	B	Design Code	NO DESIGN CODE
KVA Code	F	Frame	48Y
Enclosure	Open Air Over	Overload Protector	Automatic Lock Rotor Only
Ambient Temperature	40 °C	Drive End Bearing Size	6203
Opp Drive End Bearing Size	6203	UL	Recognized
CSA	Y	CE	N
IP Code	10		

Technical Specifications

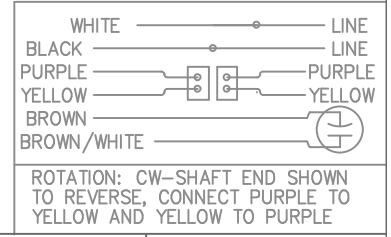
Electrical Type	Permanent Split Capacitor	Starting Method	Across The Line
Poles	6	Rotation	Selective Counterclockwise
Mounting	Round	Motor Orientation	Horizontal
Drive End Bearing	Ball	Opp Drive End Bearing	Ball
Frame Material	Rolled Steel	Shaft Type	Single Special Extension
Overall Length	12.84 in	Frame Length	6.00 in
Shaft Diameter	0.500 in	Shaft Extension	5.46 in
Assembly/Box Mounting	F1 Only		
Outline Drawing	A-SS74713-600	Connection Diagram	6906496

This is an uncontrolled document once printed or downloaded and is subject to change without notice. Date Created: 10/08/2018



LEAD DESCRIPTION:

1 WHITE & 1 BLACK WITH .50 BARE WIRE STRIP 36"-39" LONG
 2 BROWN CAPACITOR LEADS W/.25 FLAG TYPE QUICK CONNECTS 36"-39" LONG. BROWN W/ WHITE MARK IS COMMON TO WHITE LEAD
 REVERSING LEADS ARE MOLDED INTO MATING PULL APART PLUG.
 ONE PURPLE AND ONE YELLOW PER PLUG, 4"-6" LONG



DASH	FR.	C	A
600	48	12.84	7.38

NO.	REVISION	BY & DATE	CHK	TOLERANCES UNLESS SPECIFIED	
				DEC.	INCHES
4	REDRAWN IN AUTOCAD	TAT 10-13-2004	ML	.X	±.1
3	REVISED NAMEPLATE LOCTION, WAS AT 'C' AND CONNECTION DECAL WAS AT 'D' CN 23975-507	CAE 06-10-1999		.XX	±.03
2	REDRAWN ON CADD	BLR 03-31-1999		.XXX	±.005
				.XXXX	±.0005
				ANG	±7'30"

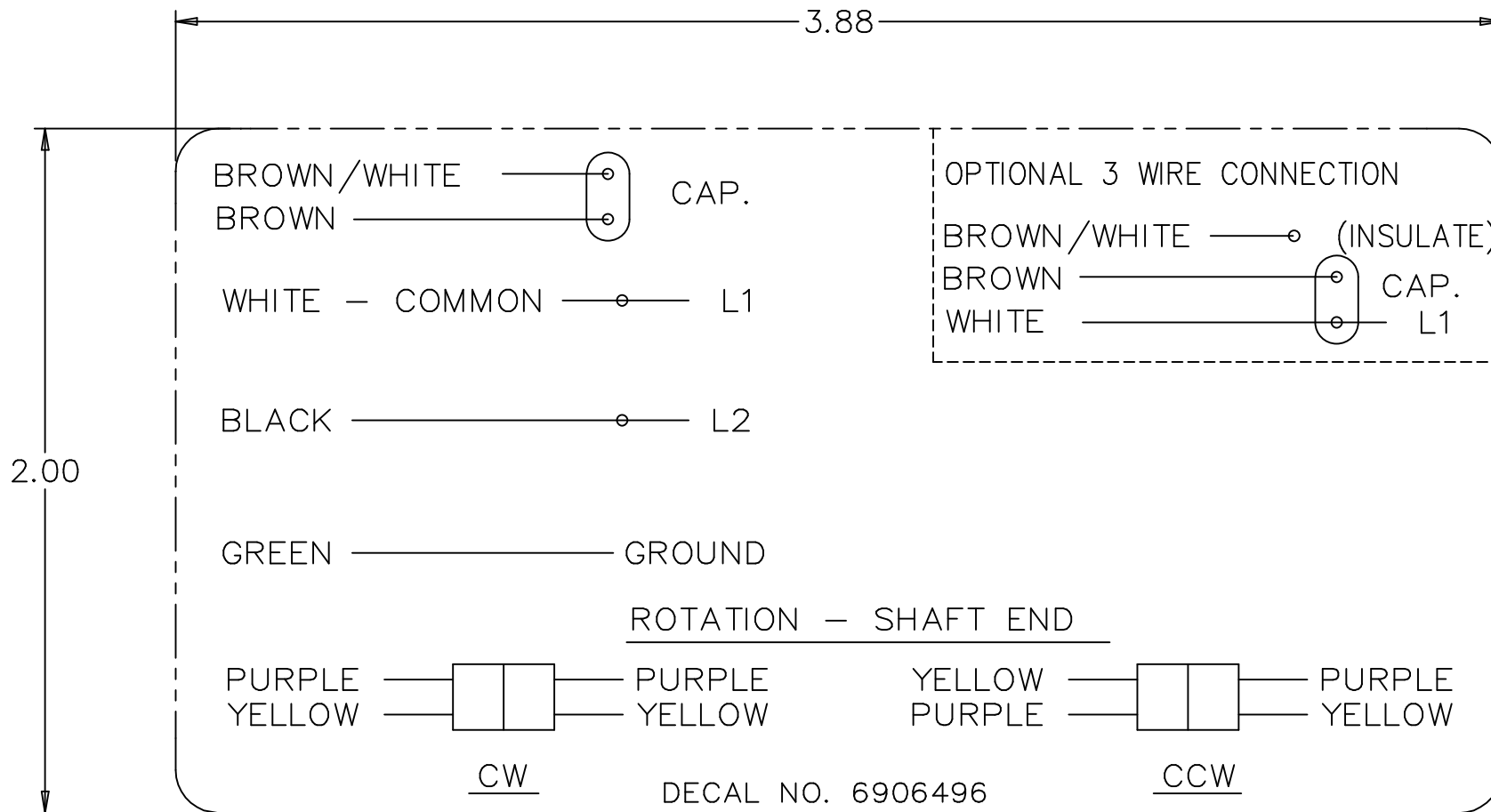
MARATHON ELECTRIC

TITLE OUTLINE
48 FR.

MAT'L.
FINISH

DRAWN	BLR 03-27-1998
CHK	ML 03-31-1999
APPD	GK 03-31-1999
SCALE	13=32
REF	
FMF	
PREV	

THIS DRAWING IN DESIGN AND DETAIL IS OUR PROPERTY AND MUST NOT BE USED EXCEPT IN CONNECTION WITH OUR WORK ALL RIGHTS OF DESIGN AND INVENTION ARE RESERVED THIS IS AN ELECTRONICALLY GENERATED DOCUMENT - DO NOT SCALE THIS PRINT		RFP	CAD FILE	ss74713	SIZE	DRAWING NO.	PAGE	OF	REV.
		DIST	WP		A	SS74713			4



				TOLERANCES UNLESS SPECIFIED		REGAL-BELOIT <i>Motor Technologies</i>	DRAWN MRB 04-16-1998				
				DEC.	INCHES		CHK	ML	04-22-1998		
4	ADDED DIM. TO DECAL	RDH 09/22/2003	ML	.X	±.1	TITLE CONNECTION DECAL	APPD	GK	04-22-1998		
3	REMOVED 'MARATHON ELECTRIC' CN 35106	DRS 05-01-2002	TOM	.XX	±.02		SCALE	1=1			
2	PART NAME WAS CONNECTION DIAGRAM CN 25669	MRB 04-23-1998		.XXX	±.005		REF				
1	NEW DRAWING CN 25669	MRB 04-22-1998		.XXXX	±.0005	MAT'L.	FMF				
NO.	REVISION	BY & DATE	CHK	ANG	±7'30"	FINISH	PREV				
THIS DRAWING IN DESIGN AND DETAIL IS OUR PROPERTY AND MUST NOT BE USED EXCEPT IN CONNECTION WITH OUR WORK ALL RIGHTS OF DESIGN AND INVENTION ARE RESERVED THIS IS AN ELECTRONICALLY GENERATED DOCUMENT - DO NOT SCALE THIS PRINT			RFP	CAD FILE 6906496			SIZE	DRAWING NO.	PAGE	OF	REV.
			DIST	WP			A	6906496			4

