

PRODUCT INFORMATION PACKET

marathon[®]
Motors

Model No: 048A11O1046
Catalog No: X473
1/6,1075,OPEN,48Y,1/60/115
Direct Drive



Regal and Marathon are trademarks of Regal Beloit Corporation or one of its affiliated companies.
©2018 Regal Beloit Corporation, All Rights Reserved. MC017097E

REGAL[®]



Nameplate Specifications

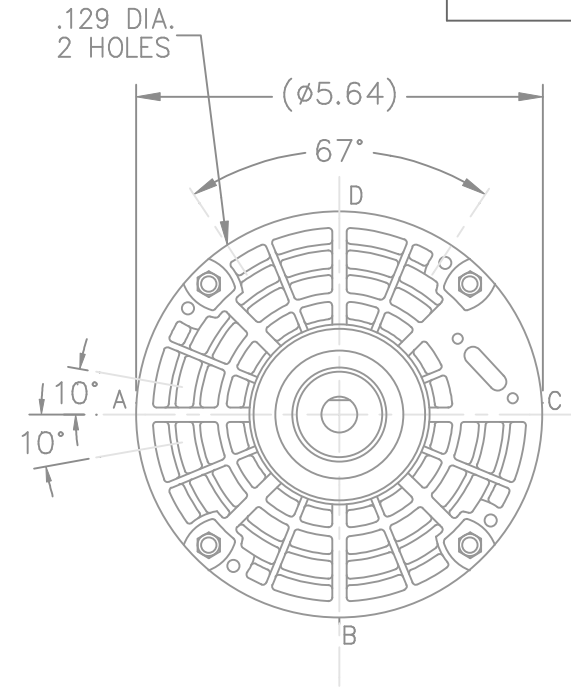
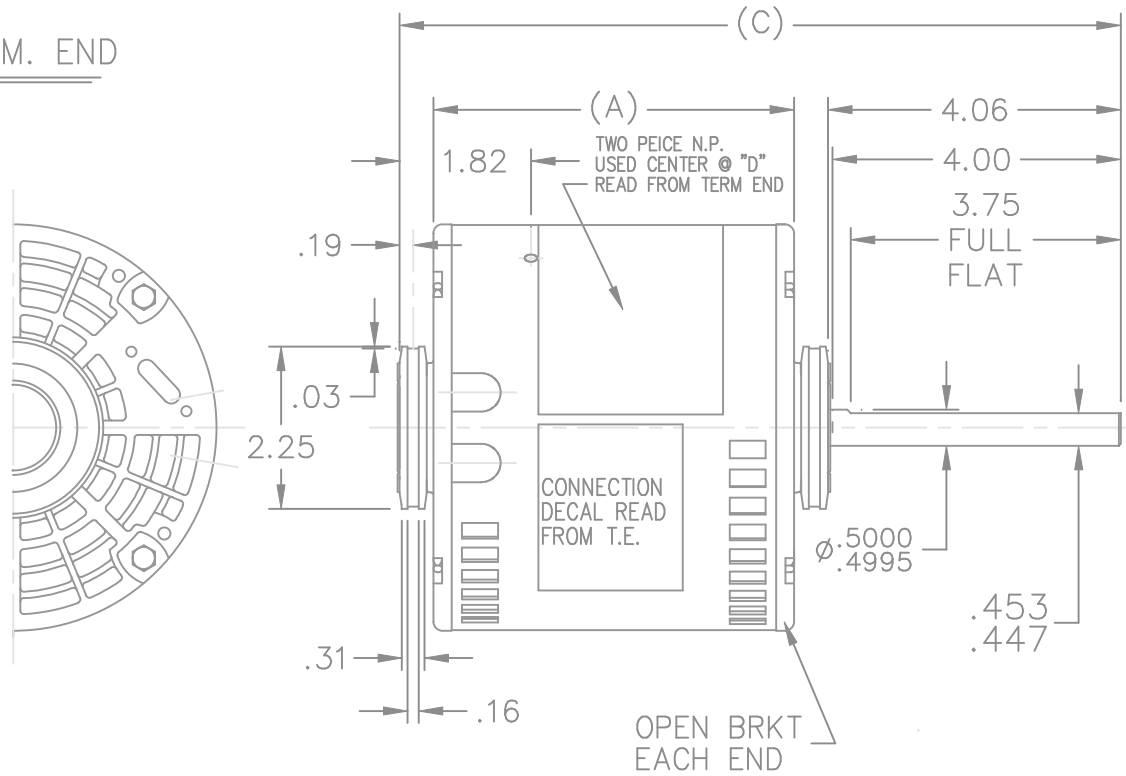
| | | | |
|----------------------------|----------------------|------------------------|-----------------------------|
| Output HP | 0.17 Hp | Output KW | 0.13 kW |
| Frequency | 60 Hz | Voltage | 115 V |
| Current | 2.9 A | Speed | 1075 rpm |
| Service Factor | 1 | Phase | 1 |
| Efficiency | 50.5 % | Duty | Continuous |
| Insulation Class | B | Design Code | NO DESIGN CODE |
| KVA Code | C | Frame | 48Y |
| Enclosure | Open Air Over | Overload Protector | Auto Lock Rotor Only |
| Ambient Temperature | 40 °C | Drive End Bearing Size | 6203 |
| Opp Drive End Bearing Size | 6203 | UL | Recognized |
| CSA | Y | CE | N |
| IP Code | 10 | | |

Technical Specifications

| | | | |
|-----------------------|----------------------------------|-----------------------|-----------------------------------|
| Electrical Type | Permanent Split Capacitor | Starting Method | Across The Line |
| Poles | 6 | Rotation | Selective Counterclockwise |
| Mounting | Resilient Rings | Motor Orientation | Horizontal |
| Drive End Bearing | Ball | Opp Drive End Bearing | Ball |
| Frame Material | Rolled Steel | Shaft Type | Single Special Extension |
| Overall Length | 9 in | Frame Length | 3.50 in |
| Shaft Diameter | 0.500 in | Shaft Extension | 4.06 in |
| Assembly/Box Mounting | F1 Only | | |
| Outline Drawing | A-SS403800-350 | Connection Diagram | 6906496 |

This is an uncontrolled document once printed or downloaded and is subject to change without notice. Date Created: 06/29/2018

TERM. END



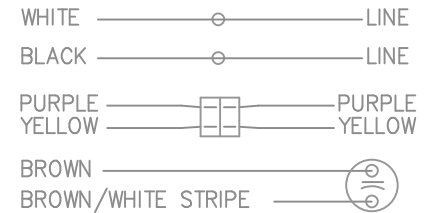
LEAD DESCRIPTION:

1 BLACK AND 1 WHITE LEAD WITH .50 BARE WIRE STRIP. 36.00 TO 39.00 LONG.

2 BROWN LEADS WITH .25 FLAG-TYPE QUICK CONNECTS 36.00 TO 39.00 LONG. WHITE MARKED LEAD IS COMMON TO WHITE.

REVERSING LEADS ARE MOLDED INTO MATING PULL APART PLUGS. 1 YELLOW & 1 PURPLE LEAD PER PLUG. 4.00 TO 6.00 LONG

CW ROTATION - SHAFT END SHOWN TO REVERSE, CONNECT PURPLE TO YELLOW, AND YELLOW TO PURPLE.



| DASH | FR. | C | A |
|------|-----|------|------|
| 350 | 48Y | 9.00 | 4.00 |
| 375 | 48Y | 9.25 | 4.25 |
| | | | |
| | | | |

TOLERANCES UNLESS SPECIFIED

| DEC. | INCHES |
|-------|--------|
| .X | ±.1 |
| .XX | ±.03 |
| .XXX | ±.005 |
| .XXXX | ±.0005 |
| ANG | ±7'30" |



TITLE OUTLINE

MAT'L.

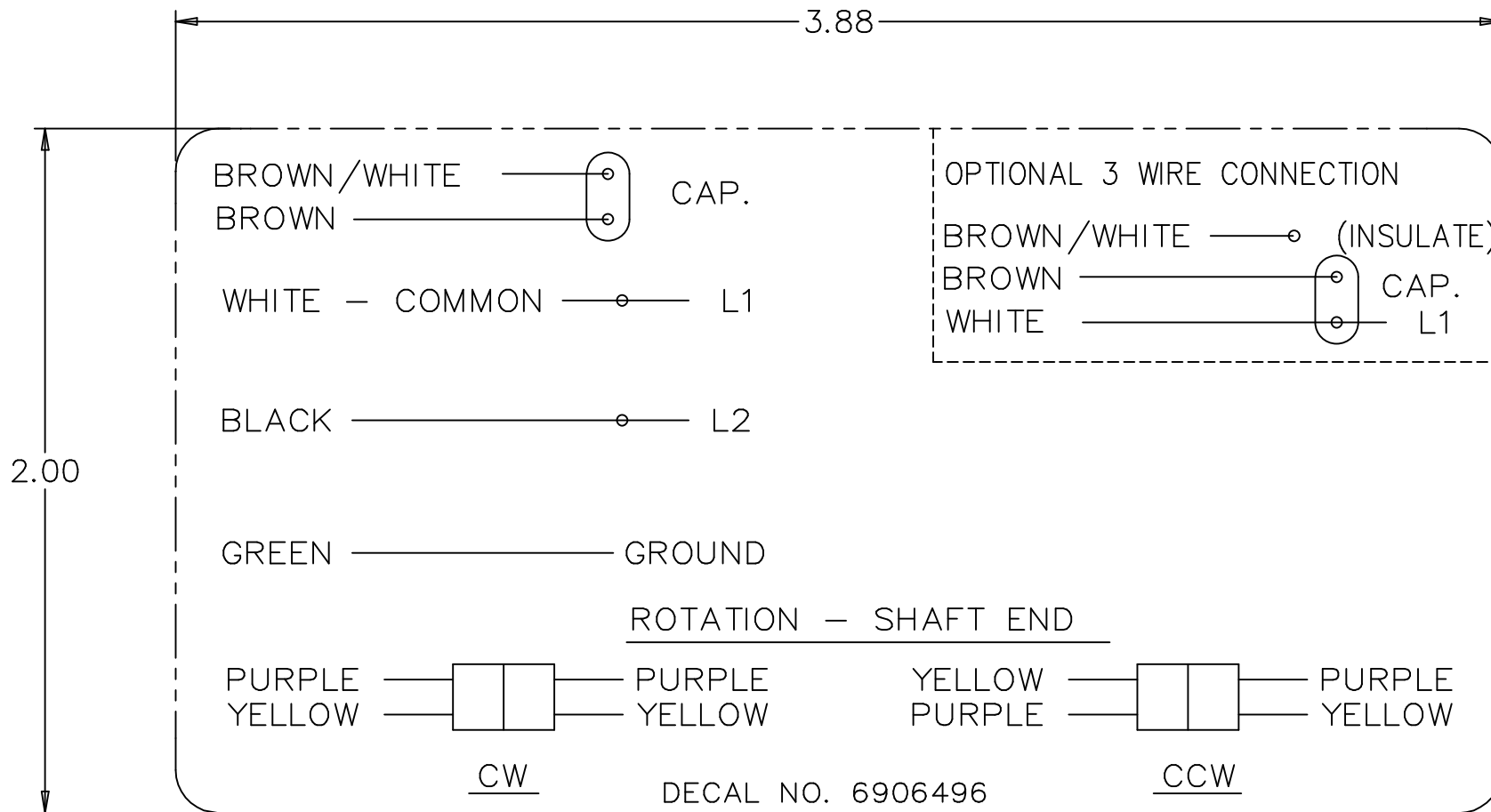
FINISH

| | |
|-------|---------------|
| DRAWN | SP 01-07-2009 |
| CHK | NB 01-07-2009 |
| APPD | SP 01-07-2009 |
| SCALE | 3=8 |
| REF | SS73918 |
| FMF | 07-2426 |
| PREV | |

| NO. | REVISION | BY & DATE | CHK | ANG |
|-----|----------|-----------|-----|-----|
| | | | | |

THIS DRAWING IN DESIGN AND DETAIL IS OUR PROPERTY AND MUST NOT BE USED EXCEPT IN CONNECTION WITH OUR WORK ALL RIGHTS OF DESIGN AND INVENTION ARE RESERVED THIS IS AN ELECTRONICALLY GENERATED DOCUMENT - DO NOT SCALE THIS PRINT

| | | | | | | | | |
|------|------------|----------|----------|------|-------------|------|----|------|
| RFP | 01-07-2009 | CAD FILE | SS403800 | SIZE | DRAWING NO. | PAGE | OF | REV. |
| DIST | WP | | | A | SS403800 | | | |



| | | | | TOLERANCES UNLESS SPECIFIED | | REGAL-BELOIT <i>Motor Technologies</i> | DRAWN MRB 04-16-1998 | | | | |
|--|---|----------------|------|-----------------------------|--------|--|----------------------|-------------|------------|----|------|
| | | | | DEC. | INCHES | | CHK | ML | 04-22-1998 | | |
| 4 | ADDED DIM. TO DECAL | RDH 09/22/2003 | ML | .X | ±.1 | TITLE CONNECTION DECAL | APPD | GK | 04-22-1998 | | |
| 3 | REMOVED 'MARATHON ELECTRIC' CN 35106 | DRS 05-01-2002 | TOM | .XX | ±.02 | | SCALE | 1=1 | | | |
| 2 | PART NAME WAS CONNECTION DIAGRAM CN 25669 | MRB 04-23-1998 | | .XXX | ±.005 | | REF | | | | |
| 1 | NEW DRAWING CN 25669 | MRB 04-22-1998 | | .XXXX | ±.0005 | MAT'L. | FMF | | | | |
| NO. | REVISION | BY & DATE | CHK | ANG | ±7'30" | FINISH | PREV | | | | |
| THIS DRAWING IN DESIGN AND DETAIL IS OUR PROPERTY AND MUST NOT BE USED EXCEPT IN CONNECTION WITH OUR WORK ALL RIGHTS OF DESIGN AND INVENTION ARE RESERVED THIS IS AN ELECTRONICALLY GENERATED DOCUMENT - DO NOT SCALE THIS PRINT | | | RFP | CAD FILE 6906496 | | | SIZE | DRAWING NO. | PAGE | OF | REV. |
| | | | DIST | WP | | | A | 6906496 | | | 4 |

CERTIFICATION DATA SHEET

Model#: 48A1101046 F WINDING#: PE4861103 NONE 1
 CONN. DIAGRAM: 6906496 ASSEMBLY: F1 ONLY
 OUTLINE: A-SS403800-350

TYPICAL MOTOR PERFORMANCE DATA

| HP | KW | SYNC. RPM | F.L. RPM | FRAME | ENCLOSURE | KVA CODE | DESIGN |
|-----|------|-----------|----------|-------|-----------|----------|----------------|
| 1/6 | 0.13 | 1200 | 1075 | 48Y | OPAO | C | NO DESIGN CODE |

| PH | Hz | VOLTS | FL AMPS | START TYPE | DUTY | INSL | S.F | AMB°C | ELEVATION |
|----|----|-------|---------|-----------------|------------|------|-----|-------|-----------|
| 1 | 60 | 115 | 2.9 | ACROSS THE LINE | CONTINUOUS | B3 | 1.0 | 40 | 3300 |

| FULL LOAD EFF: 50.5 | 3/4 LOAD EFF: - | 1/2 LOAD EFF: - | GTD. EFF | ELEC. TYPE | NO LOAD AMPS |
|---------------------|-----------------|-----------------|----------|-------------|--------------|
| | | | - | PSC 1 SPEED | 1.8 |

| F.L. TORQUE | LOCKED ROTOR AMPS | L.R. TORQUE | B.D. TORQUE | F.L. RISE°C |
|-------------|-------------------|--------------|--------------|-------------|
| - LB-FT | 5.2 | 3.95 LB-FT - | 17.5 LB-FT - | - |

| SOUND PRESSURE @ 3 FT. | SOUND POWER | ROTOR WK^2 | MAX. WK^2 | SAFE STALL TIME | STARTS /HOUR | APPROX. MOTOR WGT |
|------------------------|-------------|------------|-----------|-----------------|--------------|-------------------|
| - dBA | - dBA | - LB-FT^2 | - LB-FT^2 | - SEC. | - | - LBS. |

*** SUPPLEMENTAL INFORMATION ***

| DE BRACKET TYPE | ODE BRACKET TYPE | MOUNT TYPE | ORIENTATION | SEVERE DUTY | HAZARDOUS LOCATION | DRIP COVER | SCREENS | PAINT |
|-----------------|------------------|-----------------|-------------|-------------|--------------------|------------|---------|---------------|
| STANDARD | STANDARD | RESILIENT RINGS | HORIZONTAL | FALSE | NONE | FALSE | NONE | GRAY (POWDER) |

| BEARINGS | | GREASE | SHAFT TYPE | SPECIAL DE | SPECIAL ODE | SHAFT MATERIAL | FRAME MATERIAL |
|----------|------|------------|-------------|--|-------------|--------------------------|----------------|
| DE | OPE | BEACON 325 | SGL SPL EXT | 0.500 x 4.00 IN SEF WITH 3.75 IN FULL FLAT | NONE | 1144 STRESSPROOF (C-223) | ROLLED STEEL |
| BALL | BALL | | | | | | |
| 6203 | 6203 | | | | | | |

| THERMO-PROTECTORS | | | | THERMISTORS | CONTROL | SPACE /n HEATERS |
|-------------------|------------------|----------|----------|-------------|---------|------------------|
| THERMOSTATS | PROTECTORS | WDG RTDs | BRG RTDs | | | |
| NONE | AUT LCK RTR ONLY | NONE | NONE | NONE | FALSE | NONE VOLTS |

If Inverter equals NONE, contact factory for further information

| |
|---------------------------|
| INVERTER TORQUE: NONE |
| INV. HP SPEED RANGE: NONE |
| ENCODER: NONE |
| NONE NONE |
| NONE NONE PPR |
| BRAKE: NONE NONE |
| NONE P/N NONE |
| NONE NONE |
| NONE FT-LB NONE V NONE Hz |

*
N
O
T
E
S
*

DATE: 06/27/2017 02:27:46 AM
 FORM 3531 REV.3 02/07/99
 ** Subject to change without notice.