

PRODUCT INFORMATION PACKET



Model No: SRD4B0.33T1B6027TP1
Catalog No: LM34481
1/3,1725,DP,S56,1/60/115/230
Open Drip Proof (ODP)



Regal and Leeson are trademarks of Regal Beloit Corporation or one of its affiliated companies.
©2018 Regal Beloit Corporation, All Rights Reserved. MC017097E





Nameplate Specifications

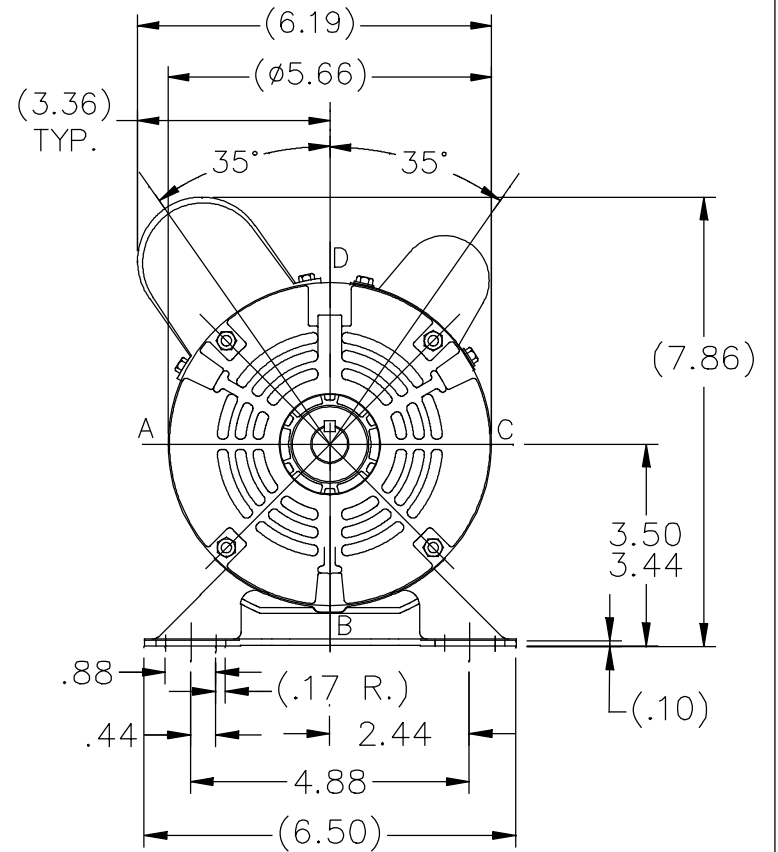
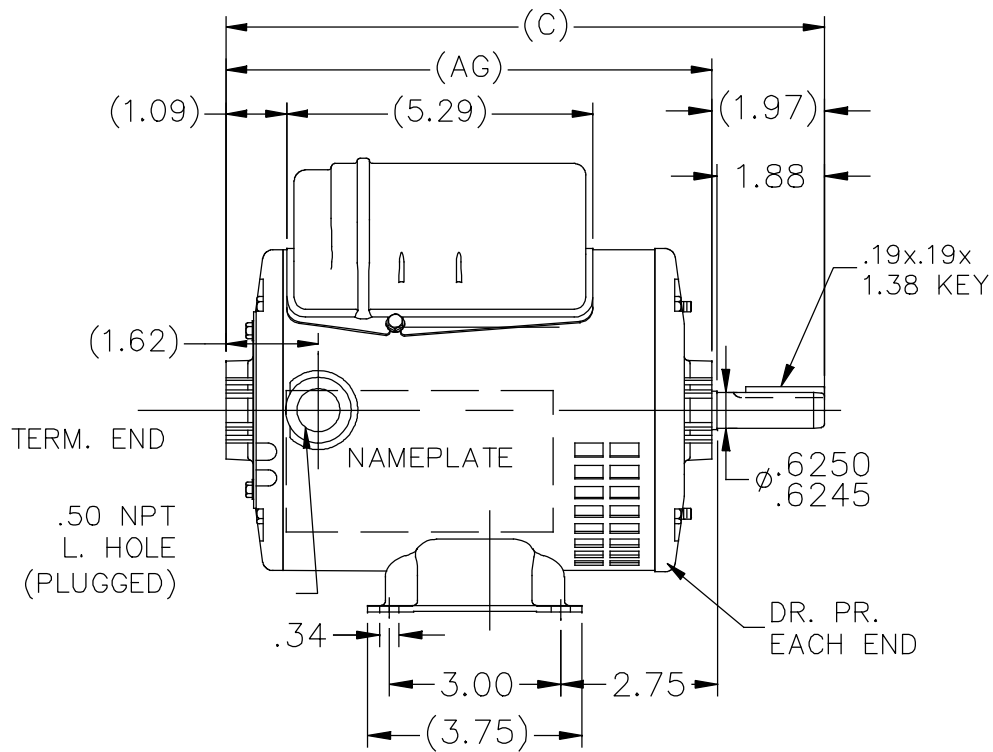
Output HP	0.33 Hp	Output KW	0.25 kW
Frequency	60 Hz	Voltage	115/230 V
Current	3.8/1.9 A	Speed	1725 rpm
Service Factor	1.35	Phase	1
Efficiency	72.4 %	Duty	Continuous
Insulation Class	B	Design Code	NO DESIGN CODE
KVA Code	L	Frame	S56
Enclosure	Drip Proof	Overload Protector	Manual
Ambient Temperature	40 °C	Drive End Bearing Size	6203
Opp Drive End Bearing Size	6203	UL	Recognized
CSA	Y	CE	Y
IP Code	22		

Technical Specifications

Electrical Type	Capacitor Start Induction Run	Starting Method	Across The Line
Poles	4	Rotation	Selective Counterclockwise
Mounting	Rigid base	Motor Orientation	HORIZONTAL
Drive End Bearing	BALL	Opp Drive End Bearing	BALL
Frame Material	Rolled Steel	Shaft Type	NEMA 48
Overall Length	10.97 in	Frame Length	7.00 in
Shaft Diameter	0.625 in	Shaft Extension	1.88 in
Assembly/Box Mounting	F1 ONLY		
Outline Drawing	A-SS404114-700	Connection Diagram	EE9002F

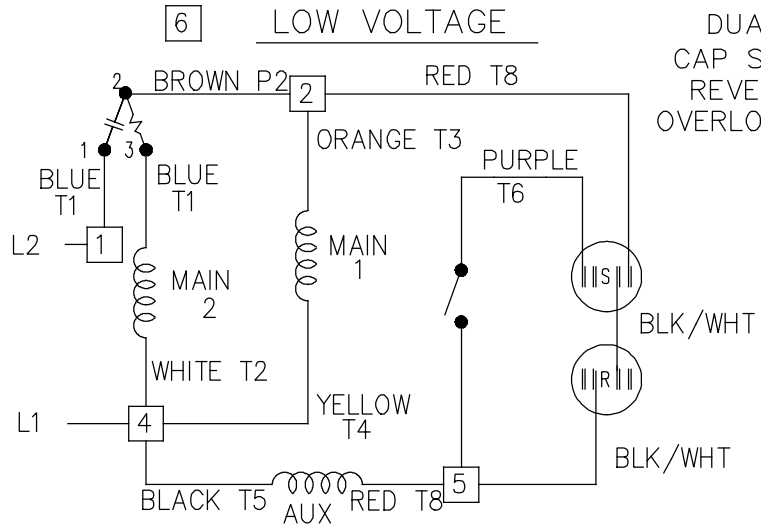
This is an uncontrolled document once printed or downloaded and is subject to change without notice. Date Created: 10/15/2018

SS404114

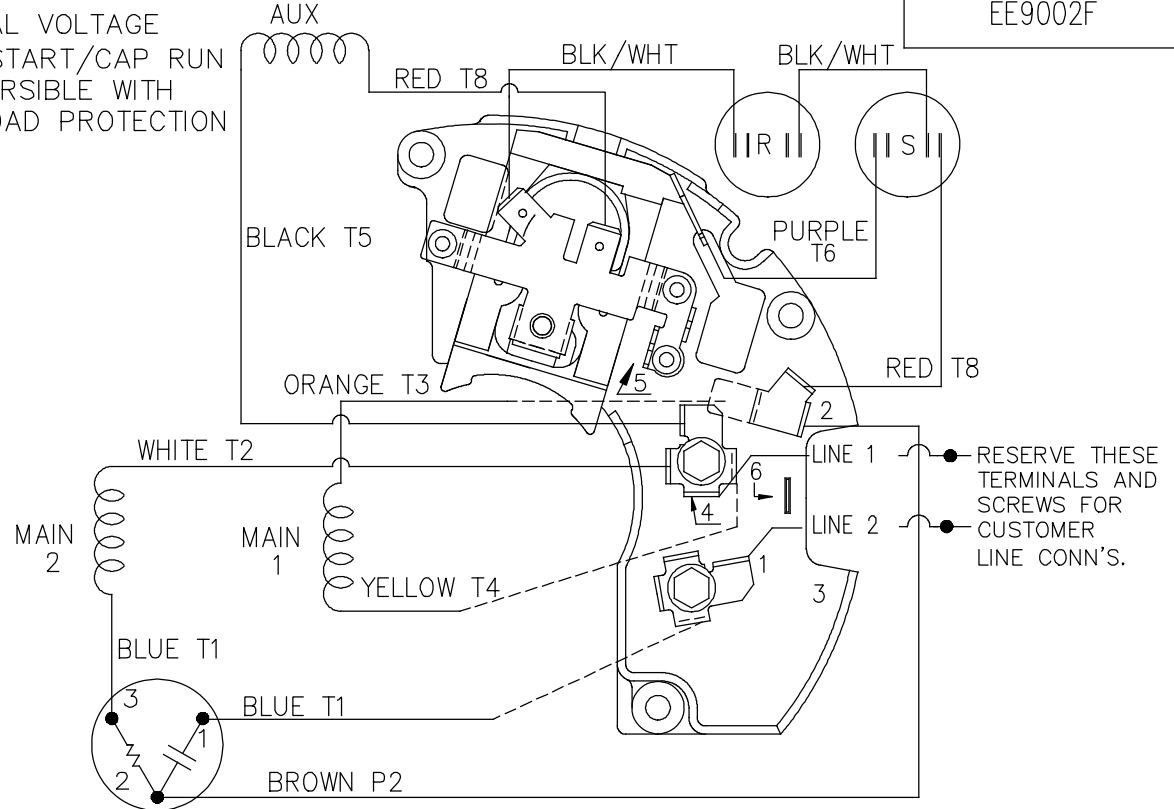


DASH	C	AG	DASH	C	AG
625	10.22	8.25	725	11.22	9.25
650	10.47	8.50	750	11.47	9.50
675	10.72	8.75	775	11.72	9.75
700	10.97	9.00	800	11.97	10.00

		TOLERANCES UNLESS SPECIFIED		REGAL™ Regal Beloit America, Inc.		DRAWN JAH 11/21/2014
		DEC.	INCHES			CHK AB 11/21/2014
		.X	±.1			APPD
		.XX	±.03	TITLE OUTLINE		SCALE 1:1
B	56 FRAME WAS 48 FRAME IN TITLE BLOCK	DS 07/23/2018	RD .XXX ±.005	56 FRAME		REF SS404113/SS75609
A	CREATED NEW DRAWING	JAH 11/21/2014	AB .XXXX ±.0005	MAT'L.		FMF
NO.	REVISION	BY & DATE	CHK ANG ±7'30"	FINISH		PREV
THIS DRAWING IN DESIGN AND DETAIL IS OUR PROPERTY AND MUST NOT BE USED EXCEPT IN CONNECTION WITH OUR WORK ALL RIGHTS OF DESIGN AND INVENTION ARE RESERVED THIS IS AN ELECTRONICALLY GENERATED DOCUMENT - DO NOT SCALE THIS PRINT			RFP	CAD FILE SS404114	SIZE A	DRAWING NO. PAGE 1 OF 1 REV. B
			DIST WP			SS404114



DUAL VOLTAGE
CAP START/CAP RUN
REVERSIBLE WITH
OVERLOAD PROTECTION



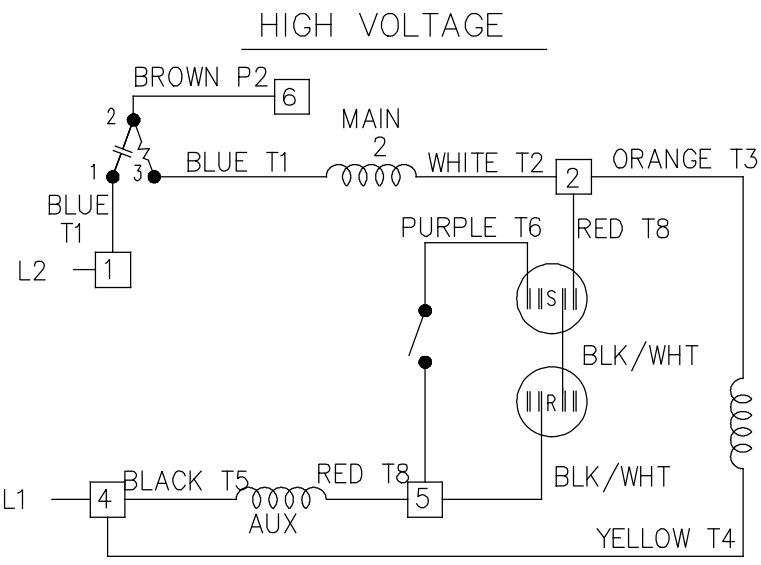
VIEWING TERM END


LOW VOLTAGE CCW ROTATION SHOWN.

FOR HIGH VOLTAGE
CONNECT BROWN TERM 2 TO TERM 6.
CONNECT WHITE TERM 4 TO TERM 2.

TO REVERSE ROTATION EITHER
VOLTAGE INTERCHANGE RED
LEAD WITH BLACK LEAD.

DASH LINES INDICATE LEADS CONNECTED
TO MOTOR SIDE OF SWITCH.



6	ADDED T MARKINGS	DS 07/19/2018	VC	TOLERANCES UNLESS SPECIFIED		 Regal Beloit America, Inc.	DRAWN ML 02-11-1988			
5	REVISED LINE 2 LOCATION	RM 01-28-1991		DEC.	INCHES		CHK FG 02-11-1988			
4	UPDATED SCHEMATIC PER CN 6014	DA 08-01-1990		.X	± -	APPD DNR 03-11-1988				
3	RED LEAD FROM AUX WAS ON ANGLE TERM.	DA 07-02-1990		.XX	± -	TITLE CONNECTION DIAGRAM	SCALE 1=1			
	PURPLE LEAD WAS RED CN 6014			.XXX	± -	48 FR. DUAL VOLTAGE REVERSIBLE	REF			
2	ADDED CUSTOMER CONNECTION NOTE. CN 6011	BW 08-03-1989		.XXXX	± -	MAT'L.	FMF			
NO.	REVISION	BY & DATE	CHK	ANG	± -	FINISH	PREV			
THIS DRAWING IN DESIGN AND DETAIL IS OUR PROPERTY AND MUST NOT BE USED EXCEPT IN CONNECTION WITH OUR WORK ALL RIGHTS OF DESIGN AND INVENTION ARE RESERVED THIS IS AN ELECTRONICALLY GENERATED DOCUMENT - DO NOT SCALE THIS PRINT				RFP	CAD FILE EE9002F		SIZE A	DRAWING NO. EE9002F	PAGE OF	REV. 6
				DIST WP						



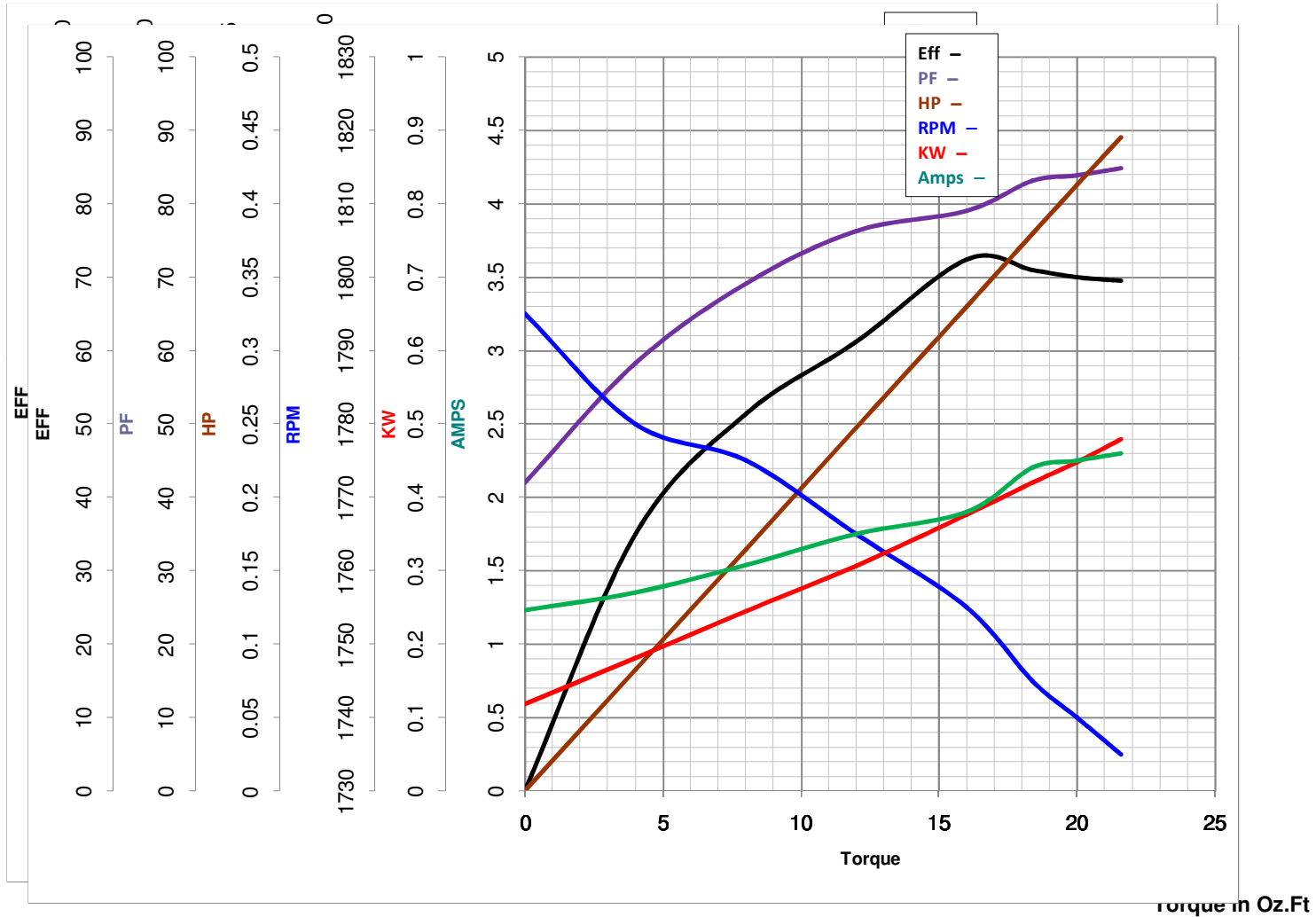
LEESON ELECTRIC CORPORATION
TYPICAL PERFORMANCE CURVE for AC MOTOR

Model No LM34481

Curve at 230 Volts HP 0.34 PHASE 1
60 HZ
0.33 HP VOLTS 115/230

Catalog No LM34481A

HZ 60 RPM 1725



FL TORQUE 16 Oz.Ft
BD TORQUE 43.5 Oz.Ft
LR TORQUE 58 Oz.Ft

FL AMPS 3.8/1.9
PU TORQUE 58.0 Oz.Ft
LR AMPS 14.2

WINDING BE484111-3

Date 3/13/2018