

# PRODUCT INFORMATION PACKET



Model No: SSD4B20TC61

Catalog No: LM32783

..20HP..1800RPM.286TC.ODP.230/460V.3PH.60HZ.CONT.40C..RIGID-C.....

Open Drip Proof (ODP)

Regal and Leeson are trademarks of Regal Beloit Corporation or one of its affiliated companies.

©2018 Regal Beloit Corporation, All Rights Reserved. MC017097E





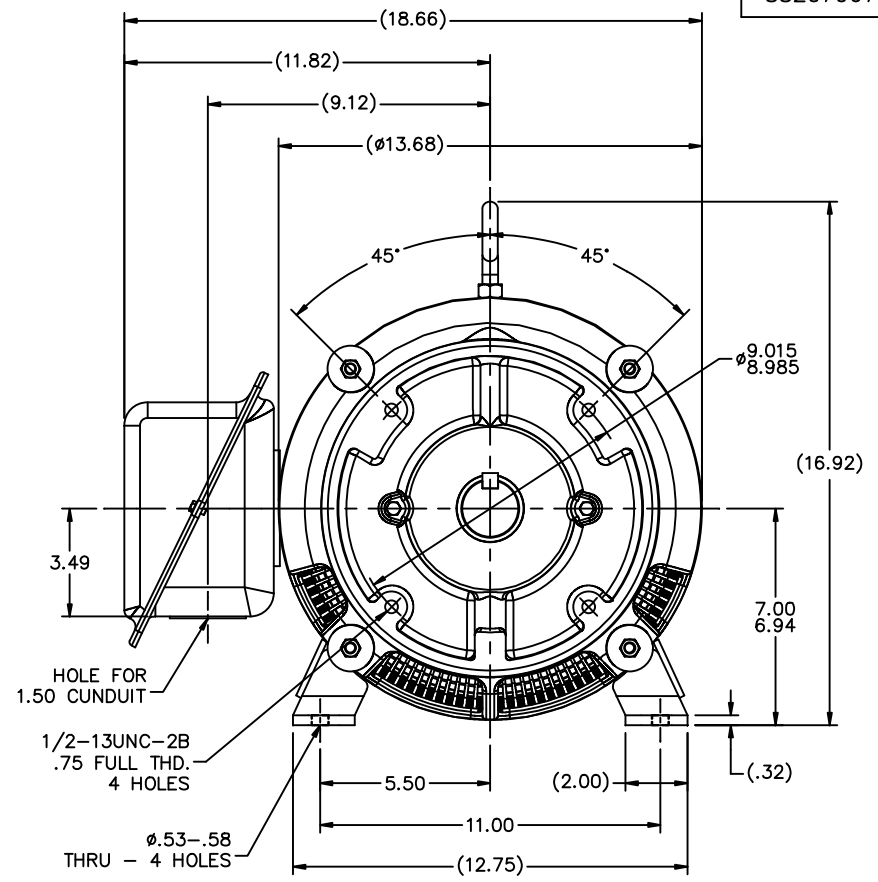
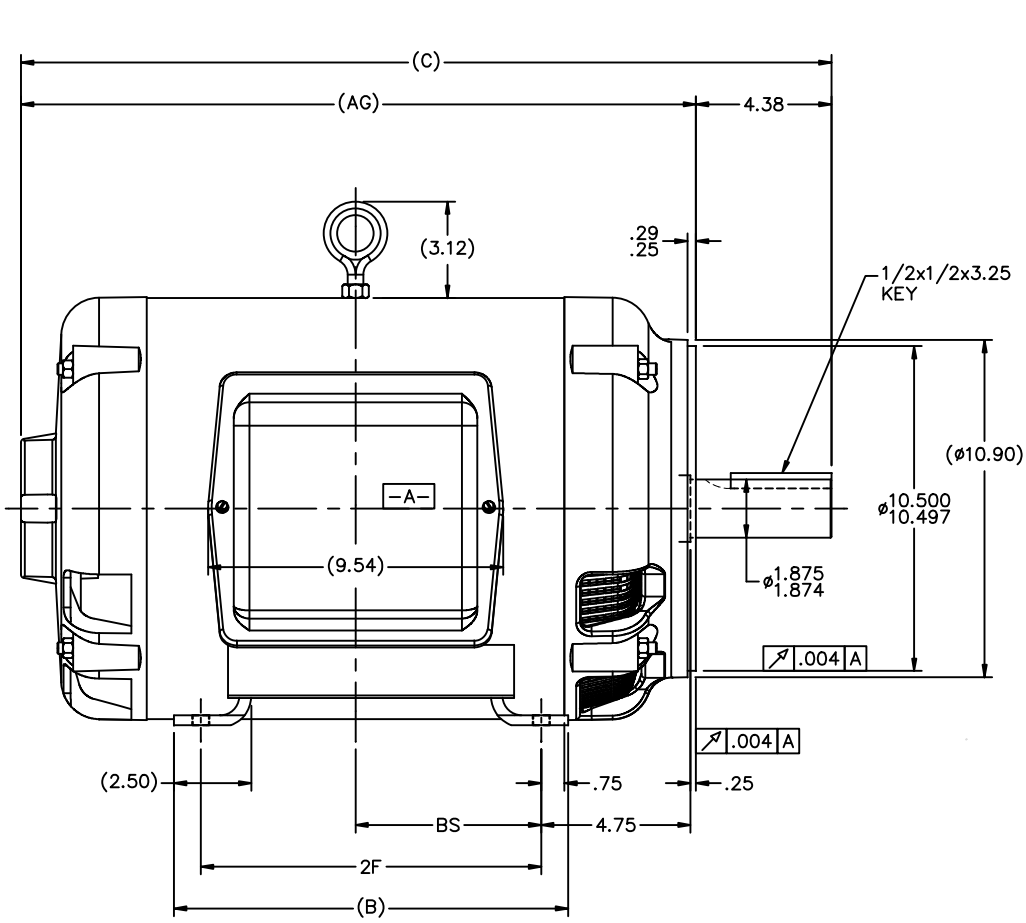
### Nameplate Specifications

Output HP	<b>20 Hp</b>	Output KW	<b>14.9 kW</b>
Frequency	<b>60 Hz</b>	Voltage	<b>230/460 V</b>
Current	<b>48.0/24.0 A</b>	Speed	<b>1775 rpm</b>
Service Factor	<b>1.25</b>	Phase	<b>3</b>
Efficiency	<b>93 %</b>	Duty	<b>Continuous</b>
Insulation Class	<b>F</b>	Design Code	<b>B</b>
KVA Code	<b>G</b>	Frame	<b>286TC</b>
Enclosure	<b>Drip Proof</b>	Overload Protector	<b>No</b>
Ambient Temperature	<b>40 °C</b>	Drive End Bearing Size	<b>311</b>
Opp Drive End Bearing Size	<b>210</b>	UL	<b>Recognized</b>
CSA	<b>Y</b>	CE	<b>Y</b>
IP Code	<b>12</b>		

### Technical Specifications

Electrical Type	<b>Squirrel Cage Induction Run</b>	Starting Method	<b>Across The Line</b>
Poles	<b>4</b>	Rotation	<b>Reversible</b>
Mounting	<b>Rigid base</b>	Motor Orientation	<b>HORIZONTAL</b>
Drive End Bearing	<b>BALL</b>	Opp Drive End Bearing	<b>BALL</b>
Frame Material	<b>Rolled Steel</b>	Shaft Type	<b>T</b>
Overall Length	<b>26.19 in</b>	Frame Length	<b>13.50 in</b>
Shaft Diameter	<b>1.875 in</b>	Shaft Extension	<b>4.62 in</b>
Assembly/Box Mounting	<b>F1/F2 CAPABLE</b>		
Outline Drawing	<b>B-SS207967LN-1350</b>	Connection Diagram	<b>B-SS7308-LN</b>

**This is an uncontrolled document once printed or downloaded and is subject to change without notice. Date Created: 10/15/2018**



- NOTES:  
 1. CONDUIT BOX CAN BE ROTATED IN 90° STEPS.  
 2. CONDUIT BOX CAN BE MOUNTED ON OPPOSITE SIDE BY REMOVING BRACKETS AND TURNING FRAME 180°.  
 3. NAMEPLATE TO BE READ FROM CONDUIT BOX SIDE OF MOTOR.

1100	284TC	23.69	19.31	11.25	9.50	4.75	F1/F2
1250	286TC	25.19	20.81	12.75	11.00	5.50	F1/F2
1250	284TC	25.19	20.81	11.25	9.50	4.75	F1 ONLY
1350	284TC	26.19	21.81	11.25	9.50	4.75	F1 ONLY
1350	286TC	26.19	21.81	12.75	11.00	6.00	F1 ONLY
1450	286TC	27.19	22.81	13.00	11.00	6.50	F1 ONLY
DASH	FRAME	C	AG	B	2F	BS	MOUNTING

NO.		REVISION	BY & DATE	CHK	ANG	±7°30"	FINISH			DRAWN MSG 02-23-2011
TOLERANCES UNLESS SPECIFIED		DEC.	INCHES	.X	±.1	TITLE OUTLINE - DR. PR. - C'FACE		APPD DR 02-23-2011	SCALE 1=4	CHK BW 02-23-2011
.XX		±.03	.XXX		±.005	280TC FR. - BB - TS - STEEL C'BOX		REF	REF	REF
.XXXX		±.0005	MAT'L		PREV		REF	REF	REF	REF
RFP		02-23-2011	CAD FILE		SS207967LN		SIZE B	DRAWING NO.	PAGE OF	REV.
DIST								SS207967LN		



Motor Load Data						
Load	0%	25%	50%	75%	100%	LR
Current (Amps)	9.2	11.0	15.0	19.0	24.0	145
Torque (ft-lb)	0.00	14.5	29.5	44.0	59.0	112
RPM	1800	1795	1788	1780	1775	0
Efficiency (%)		89.5	92.4	93.0	93.0	
P.F. (%)	5.0	45.0	70.0	79.5	84.0	84.5

Motor Speed Data						Information Block																					
LR	Pull-Up	BD	Rated	Idle		HP	Sync. RPM	Frame	Enclosure	Construction	Voltage	Frequency	Design	LR Code letter	Service Factor	Temp Rise @ FL	Duty	Ambient	Elevation	Rotor/Shaft wk <sup>2</sup>	Ref Wdg	Sound Pressure @ 1M	VFD Rating	Outline Dwg	Conn. Diag	Additional Specifications:	
0	900	1675	1775	1800		20.0	1800	286	DP	TDR	230/460	60	B	G	1.15	30	CONT	40	1,000	3.3	NONE	72	NONE	B-SS207967LN-1360	B-SS7308-1N		
Current (Amps)	145	130	80.0	24.0	9.2																						
Torque (ft-lb)	112	90.0	150	59.0	0.00																						

