

# PRODUCT INFORMATION PACKET



Model No: SRF2S1T1C6028TP1  
Catalog No: LM24745  
1,3450,TEFC,56,1/60/115/208-230  
Totally Enclosed Fan Cooled (TEFC)



Regal and Leeson are trademarks of Regal Beloit Corporation or one of its affiliated companies.  
©2018 Regal Beloit Corporation, All Rights Reserved. MC017097E





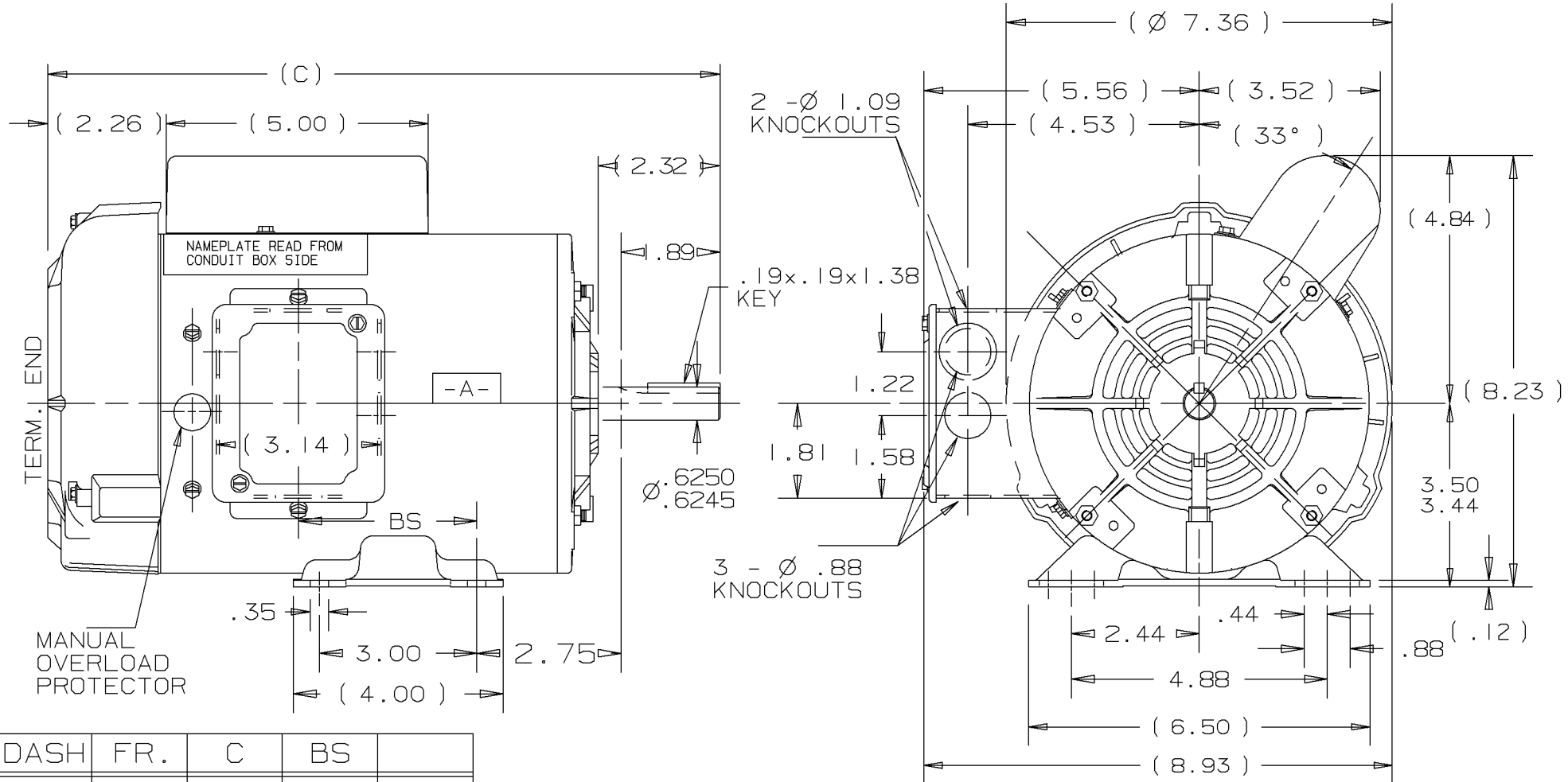
### Nameplate Specifications

Output HP	<b>1 Hp</b>	Output KW	<b>0.75 kW</b>
Frequency	<b>60 Hz</b>	Voltage	<b>115/208-230 V</b>
Current	<b>12.4/6.7-6.2 A</b>	Speed	<b>3450 rpm</b>
Service Factor	<b>1.15</b>	Phase	<b>1</b>
Efficiency	<b>72 %</b>	Duty	<b>Continuous</b>
Insulation Class	<b>B</b>	Design Code	<b>N</b>
KVA Code	<b>K</b>	Frame	<b>56</b>
Enclosure	<b>Totally Enclosed Fan Cooled</b>	Overload Protector	<b>Manual</b>
Ambient Temperature	<b>40 °C</b>	Drive End Bearing Size	<b>6203</b>
Opp Drive End Bearing Size	<b>6203</b>	UL	<b>Recognized</b>
CSA	<b>Y</b>	CE	<b>N</b>
IP Code	<b>43</b>		

### Technical Specifications

Electrical Type	<b>Capacitor Start Induction Run</b>	Starting Method	<b>Across The Line</b>
Poles	<b>2</b>	Rotation	<b>Selective Counterclockwise</b>
Mounting	<b>Rigid base</b>	Motor Orientation	<b>HORIZONTAL</b>
Drive End Bearing	<b>BALL</b>	Opp Drive End Bearing	<b>BALL</b>
Frame Material	<b>Rolled Steel</b>	Shaft Type	<b>NEMA 56</b>
Overall Length	<b>12.32 in</b>	Frame Length	<b>7.06 in</b>
Shaft Diameter	<b>0.625 in</b>	Shaft Extension	<b>2.32 in</b>
Assembly/Box Mounting	<b>F1 ONLY</b>		
Outline Drawing	<b>A-100112LN-706</b>	Connection Diagram	<b>102005-52-LN</b>

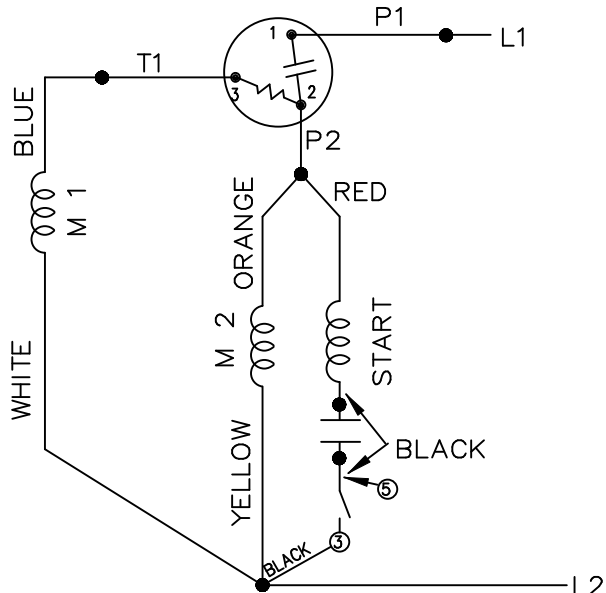
This is an uncontrolled document once printed or downloaded and is subject to change without notice. Date Created: 10/15/2018



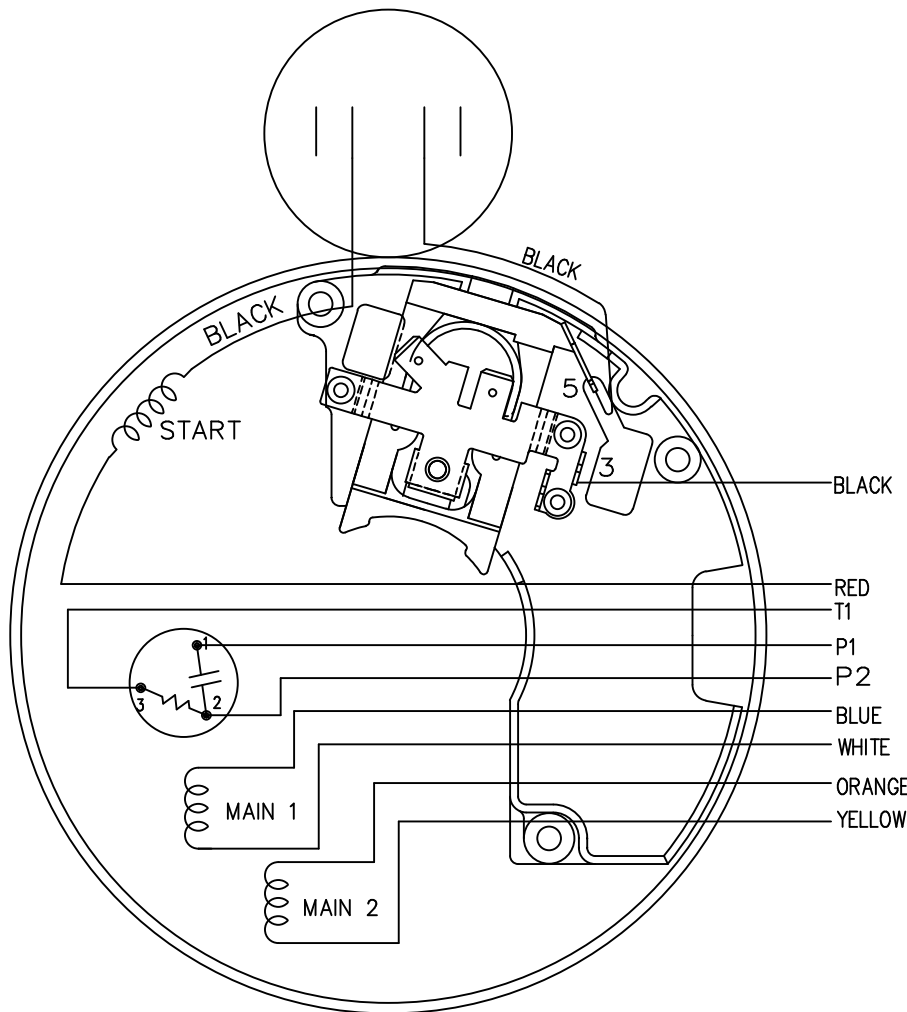
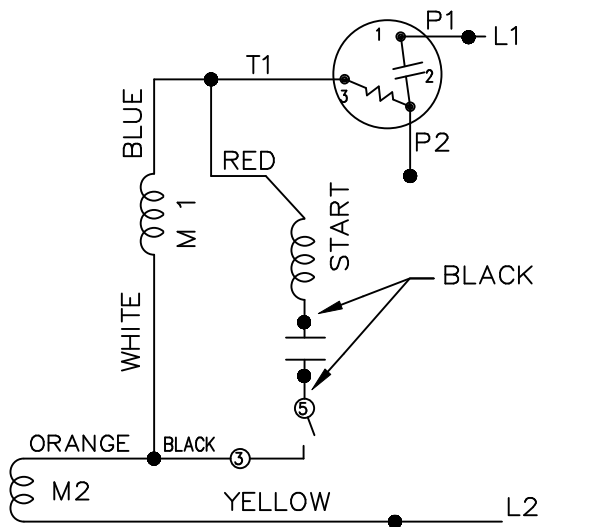
DASH	FR.	C	BS
656	56-65	11.82	2.40
706	56-70	12.32	2.90
756	56-75	12.82	3.40

					UNLESS OTHERWISE SPECIFIED DIMENSIONS ARE IN INCHES TOL. ON XX±.02 XXX±.005 XXXX±.0005 ANGLES± 7'30"			
					MAX. SURFACE ROUGHNESS UNLESS OTHERWISE NOTED	DRAWN BY TJB		10-20-1999
				FINISH	CHKD BY ML		10-20-1999	
				MATERIAL	APPD BY GK		10-20-1999	
REV	DATE	CHANGE	NAME	PART NAME OUTLINE				DRWG NO
			TJB	56 FR. - TEFC - 1Ø - MANUAL PROTECTOR				A-100112LN
				PURCHASED	CADD FILE NO.	100112LN		

LOW VOLTAGE - CCW

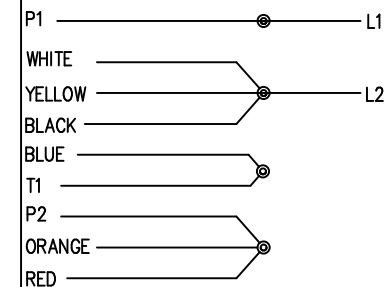


HIGH VOLTAGE - CCW

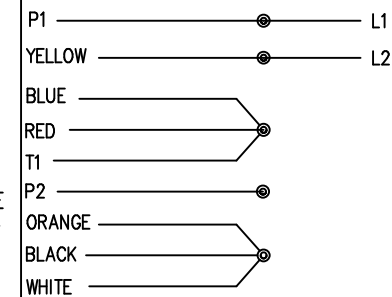


DUAL VOLTAGE  
CAPACITOR START  
OVERLOAD  
SELECT ROTATION

LOW VOLT. CCW ROT.



HIGH VOLT. CCW ROT.



FOR CW ROTATION  
EITHER VOLTAGE  
INTERCHANGE RED  
WITH BLACK

TOLERANCES UNLESS SPECIFIED	
DEC.	INCHES
.X	±.1
.XX	±.02
.XXX	±.005



TITLE CONNECTION DIAGRAM

DRAWN	TAT 9-8-2003
CHK	ML 9-8-2003
APPD	GK 9-8-2003
SCALE	5=8
REF	
FMF	
PREV	

NO.	REVISION	BY & DATE	CHK	ANG	FINISH
1	NEW DRAWING	TAT 9-8-2003	ML	.XXXX	±.0005

THIS DRAWING IN DESIGN AND DETAIL IS OUR PROPERTY AND MUST NOT BE USED EXCEPT IN CONNECTION WITH OUR WORK ALL RIGHTS OF DESIGN AND INVENTION ARE RESERVED THIS IS AN ELECTRONICALLY GENERATED DOCUMENT - DO NOT SCALE THIS PRINT

RFP	CAD FILE 102005-52-LN	SIZE	DRAWING NO.	PAGE	OF	REV.
DIST WP		A	102005-52-LN			1

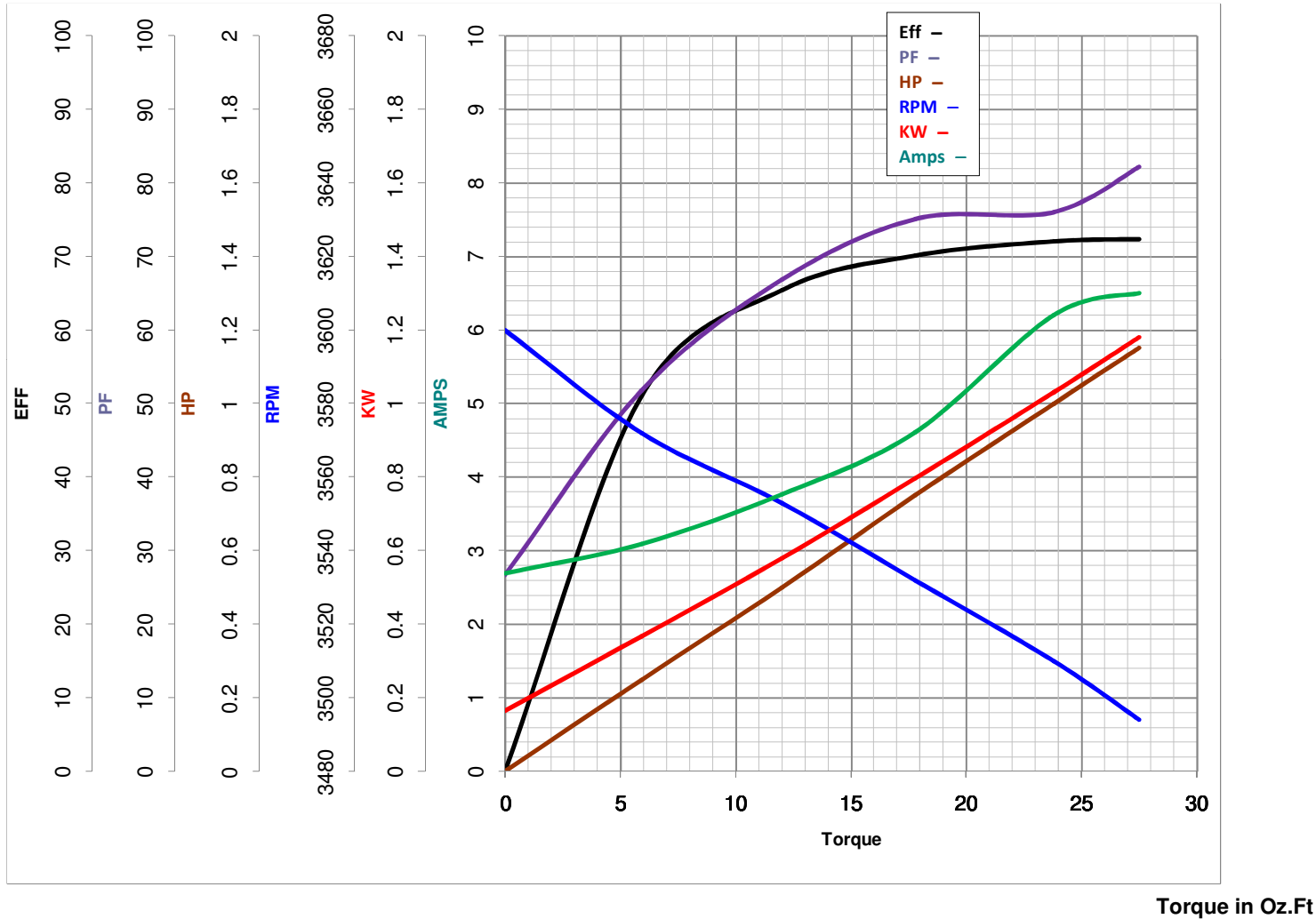


**LEESON ELECTRIC CORPORATION**  
 TYPICAL PERFORMANCE CURVE for AC MOTOR

Model No LM24745

Catalog No LM24745D

Curve at 230 Volts      HP 1.00      PHASE 1  
60 HZ  
1 HP      VOLTS 115/208-230  
 HZ 60      RPM 3450



FL TORQUE 23.8 Oz.Ft  
 BD TORQUE 62.8 Oz.Ft  
 LR TORQUE 75.4 Oz.Ft

FL AMPS 12.4/6.7-6.2  
 PU TORQUE 55.8 Oz.Ft  
 LR AMPS 36.9

WINDING ZC223-3

Date 3/27/2018