

PRODUCT INFORMATION PACKET



Model No: SRF2S0.75T1C6028TP1
Catalog No: LM24744
3/4,3450,TEFC,56,1/60/115/208-230
Totally Enclosed Fan Cooled (TEFC)



Regal and Leeson are trademarks of Regal Beloit Corporation or one of its affiliated companies.
©2018 Regal Beloit Corporation, All Rights Reserved. MC017097E





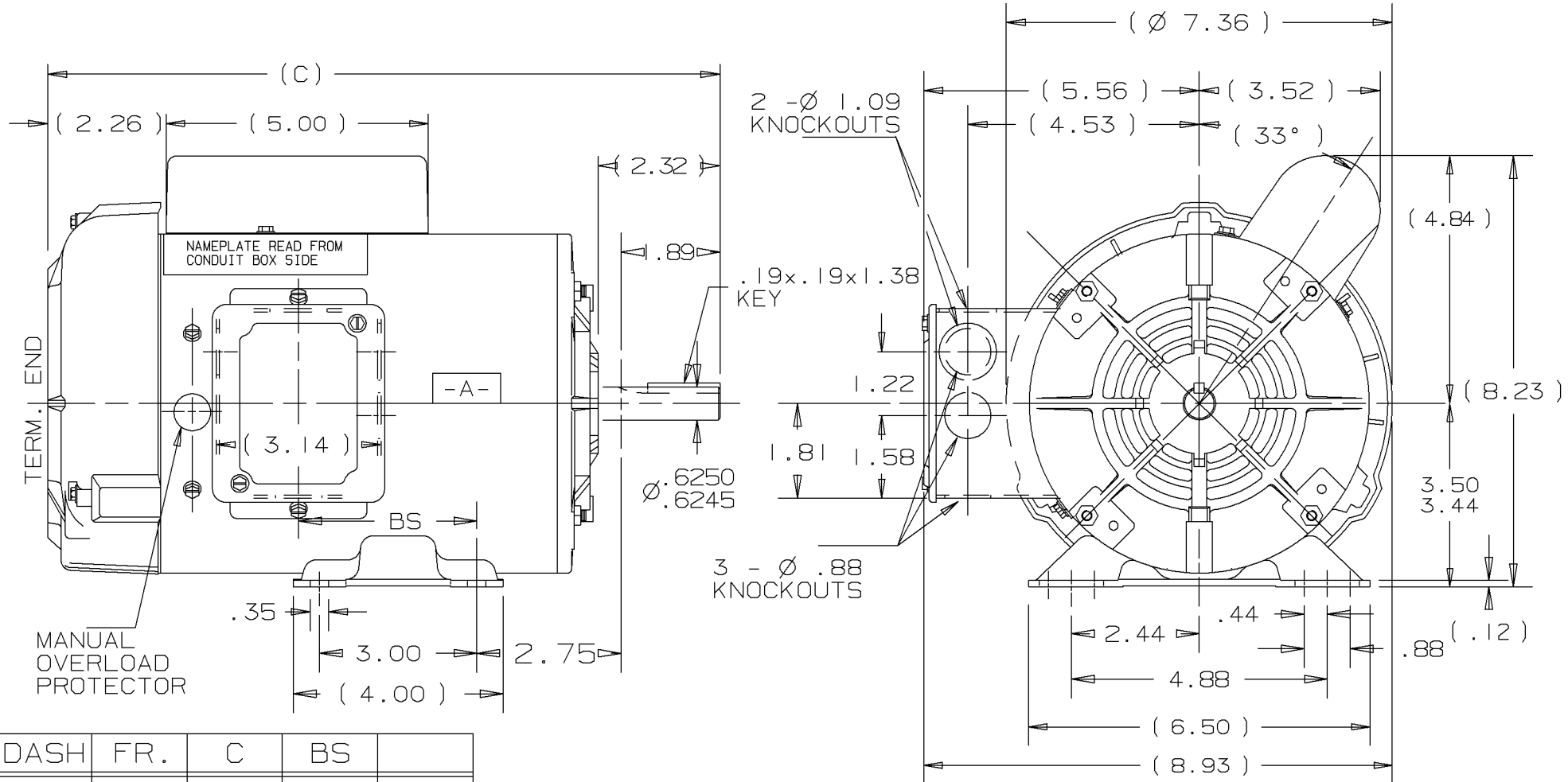
Nameplate Specifications

Output HP	0.75 Hp	Output KW	0.56 kW
Frequency	60 Hz	Voltage	115/208-230 V
Current	10.6/5.3-5.3 A	Speed	3450 rpm
Service Factor	1.15	Phase	1
Efficiency	66 %	Duty	Continuous
Insulation Class	B	Design Code	N
KVA Code	M	Frame	56Z
Enclosure	Totally Enclosed Fan Cooled	Overload Protector	Manual
Ambient Temperature	40 °C	Drive End Bearing Size	6203
Opp Drive End Bearing Size	6203	UL	Recognized
CSA	Y	CE	N
IP Code	43		

Technical Specifications

Electrical Type	Capacitor Start Induction Run	Starting Method	Across The Line
Poles	2	Rotation	Selective Counterclockwise
Mounting	Rigid base	Motor Orientation	HORIZONTAL
Drive End Bearing	BALL	Opp Drive End Bearing	BALL
Frame Material	Rolled Steel	Shaft Type	Single Special Extension
Overall Length	12.32 in	Frame Length	7.06 in
Shaft Diameter	0.625 in	Shaft Extension	2.32 in
Assembly/Box Mounting	F1 ONLY		
Outline Drawing	A-100112LN-706	Connection Diagram	102005-52-LN

This is an uncontrolled document once printed or downloaded and is subject to change without notice. Date Created: 10/15/2018

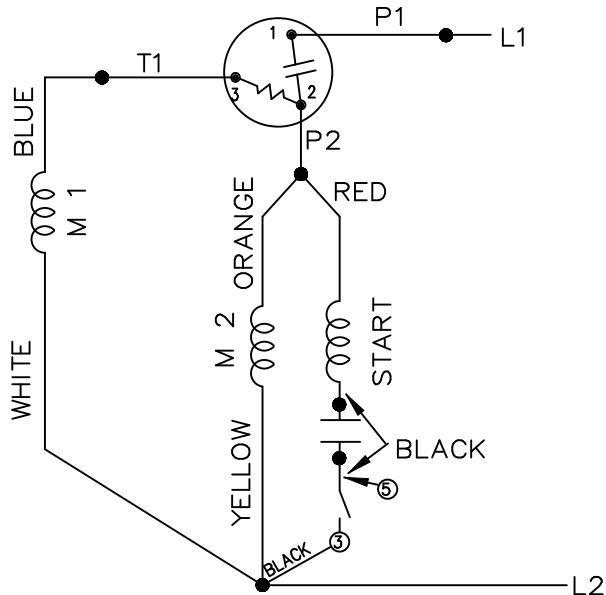


DASH	FR.	C	BS
656	56-65	11.82	2.40
706	56-70	12.32	2.90
756	56-75	12.82	3.40

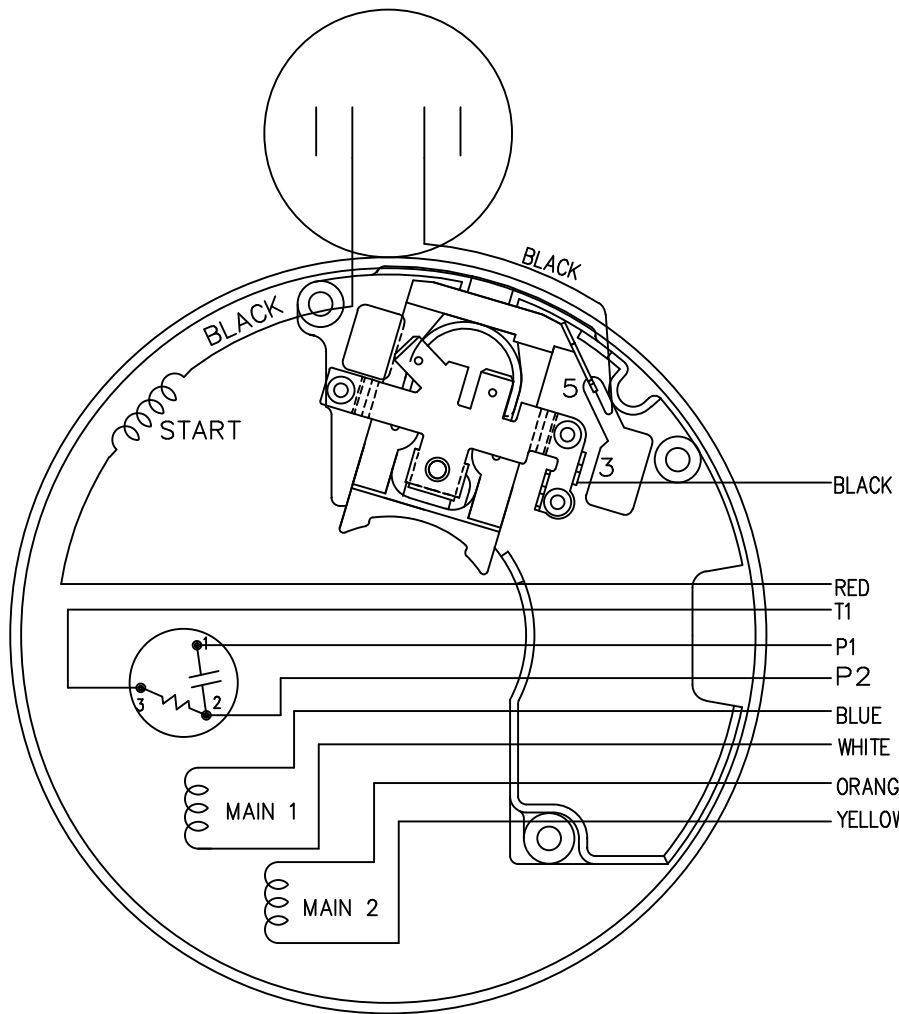
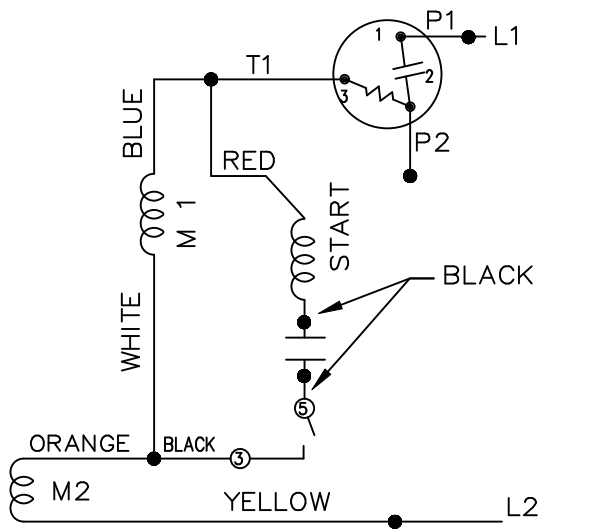
						✓ UNLESS OTHERWISE SPECIFIED DIMENSIONS ARE IN INCHES TOL. ON XX±.02 XXX±.005 XXXX±.0005 ANGLES± 7'30"		
						MAX. SURFACE ROUGHNESS UNLESS OTHERWISE NOTED	DRAWN BY TJB 10-20-1999	
				FINISH	CHKD BY ML 10-20-1999			
				MATERIAL	APPD BY GK 10-20-1999			
REV	DATE	CHANGE	NAME	PART NAME OUTLINE 56 FR. - TEFC - 1Ø - MANUAL PROTECTOR			DRWG NO A-100112LN	

PURCHASED | CADD FILE NO. | 100112LN

LOW VOLTAGE - CCW

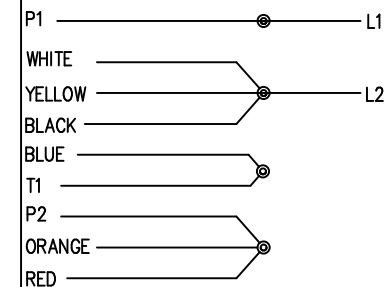


HIGH VOLTAGE - CCW

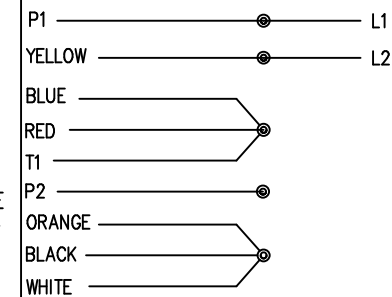


DUAL VOLTAGE
CAPACITOR START
OVERLOAD
SELECT ROTATION

LOW VOLT. CCW ROT.



HIGH VOLT. CCW ROT.



FOR CW ROTATION
EITHER VOLTAGE
INTERCHANGE RED
WITH BLACK

TOLERANCES UNLESS SPECIFIED	
DEC.	INCHES
.X	±.1
.XX	±.02
.XXX	±.005



TITLE CONNECTION DIAGRAM

DRAWN	TAT 9-8-2003
CHK	ML 9-8-2003
APPD	GK 9-8-2003
SCALE	5=8
REF	
FMF	
PREV	

1	NEW DRAWING	TAT 9-8-2003	ML	.XXXX	±.0005	MAT'L.
NO.	REVISION	BY & DATE	CHK	ANG	±7'30"	FINISH

THIS DRAWING IN DESIGN AND DETAIL IS OUR PROPERTY AND MUST NOT BE USED EXCEPT IN CONNECTION WITH OUR WORK ALL RIGHTS OF DESIGN AND INVENTION ARE RESERVED THIS IS AN ELECTRONICALLY GENERATED DOCUMENT - DO NOT SCALE THIS PRINT

RFP CAD FILE 102005-52-ln
DIST WP

SIZE	DRAWING NO.	PAGE	OF	REV.
A	102005-52-LN			1



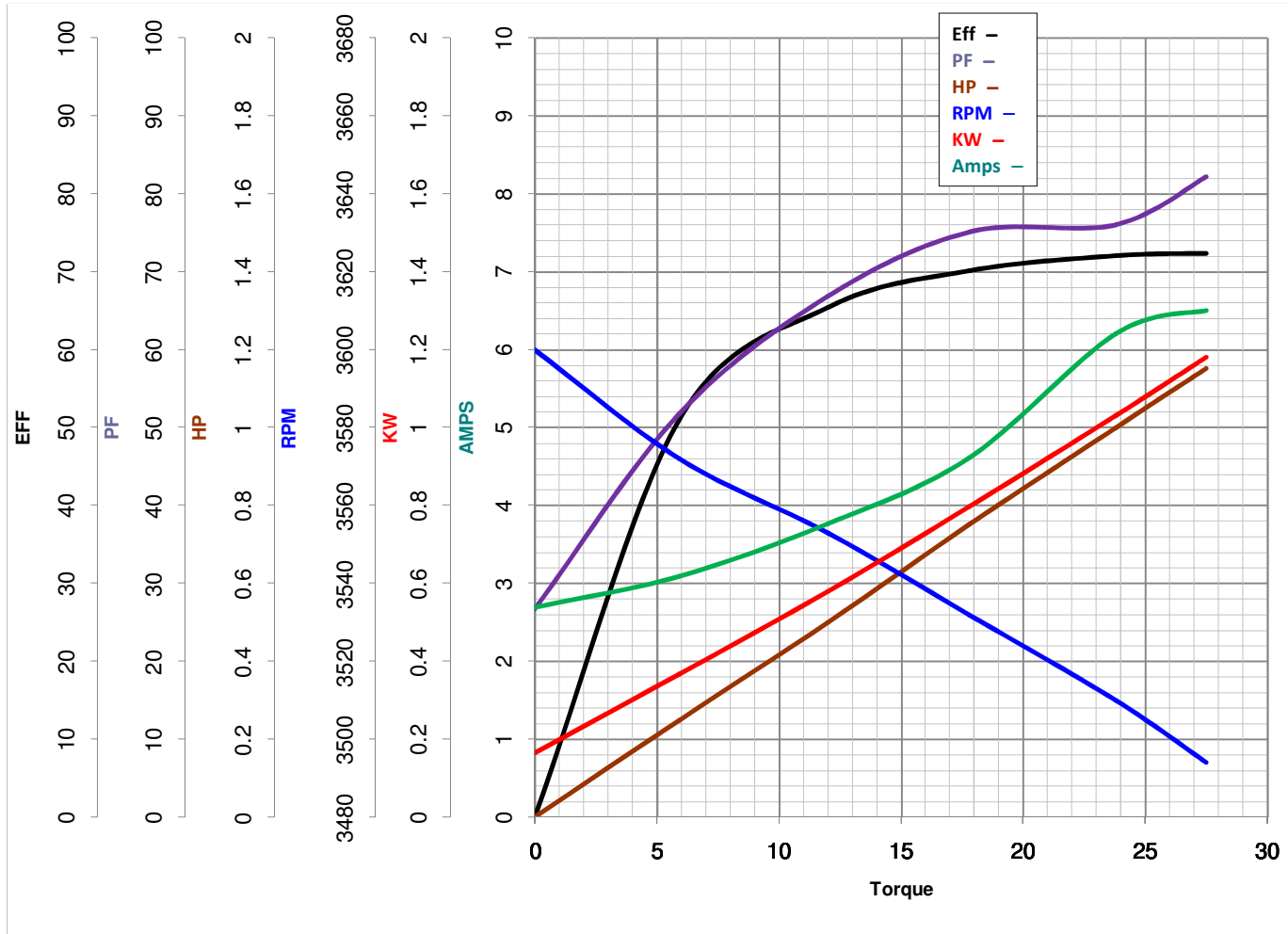
LEESON ELECTRIC CORPORATION
 TYPICAL PERFORMANCE CURVE for AC MOTOR

Model No LM24727

Curve at 230 Volts HP 1.00 PHASE 1
60 HZ
1 HP VOLTS 115/208-230

Catalog No LM24727B

HZ 60 RPM 3450



Torque in Oz.Ft

FL TORQUE 23.8 Oz.Ft
 BD TORQUE 62.8 Oz.Ft
 LR TORQUE 75.4 Oz.Ft

FL AMPS 12.4/6.7-6.2
 PU TORQUE 55.8 Oz.Ft
 LR AMPS 36.9

WINDING ZC223-3

Date 4/11/2018