

PRODUCT INFORMATION PACKET



Model No: LM24739

Catalog No: LM24739

0.75 HP General Purpose Motor, 1 phase, 1200 RPM, 115/208-230 V, 56C Frame, TEFC
Single Phase TEFC Motors



Regal and Leeson are trademarks of Regal Beloit Corporation or one of its affiliated companies.

©2019 Regal Beloit Corporation, All Rights Reserved. MC017097E

The Regal logo is located in the bottom right corner. It features the word "REGAL" in a white, sans-serif font, set against a dark grey, trapezoidal background. The background of the entire page on the right side is a blue gradient with a fine, repeating pattern.



Nameplate Specifications

| | | | |
|------------------------|-----------------------|----------------------------|------------------------------------|
| Output HP | 0.75 Hp | Output KW | 0.56 kW |
| Frequency | 60 Hz | Voltage | 115/208-230 V |
| Current | 11.4/5.7-5.7 A | Speed | 1140 rpm |
| Service Factor | 1.15 | Phase | 1 |
| Efficiency | 64 % | Power Factor | 63 |
| Duty | Continuous | Insulation Class | F |
| Design Code | No Design Code | KVA Code | L |
| Frame | 56C | Enclosure | Totally Enclosed Fan Cooled |
| Thermal Protection | No | Ambient Temperature | 40 °C |
| Drive End Bearing Size | 203 | Opp Drive End Bearing Size | 203 |
| UL | Recognized | CSA | Y |
| CE | N | IP Code | 43 |

Technical Specifications

| | | | |
|-----------------------|--------------------------------------|-----------------------|----------------------------|
| Electrical Type | Capacitor Start Capacitor Run | Starting Method | Across The Line |
| Poles | 6 | Rotation | Selective Clockwise |
| Resistance Main | 0 Ohms | Mounting | Round |
| Motor Orientation | Horizontal | Drive End Bearing | Ball |
| Opp Drive End Bearing | Ball | Frame Material | Rolled Steel |
| Shaft Type | T | Overall Length | 13.82 in |
| Frame Length | 8.56 in | Shaft Diameter | 0.625 in |
| Shaft Extension | 2.06 in | Assembly/Box Mounting | F1 Only |

This is an uncontrolled document once printed or downloaded and is subject to change without notice. Date Created:01/11/2019

4

3

Uncontrolled Copy

2

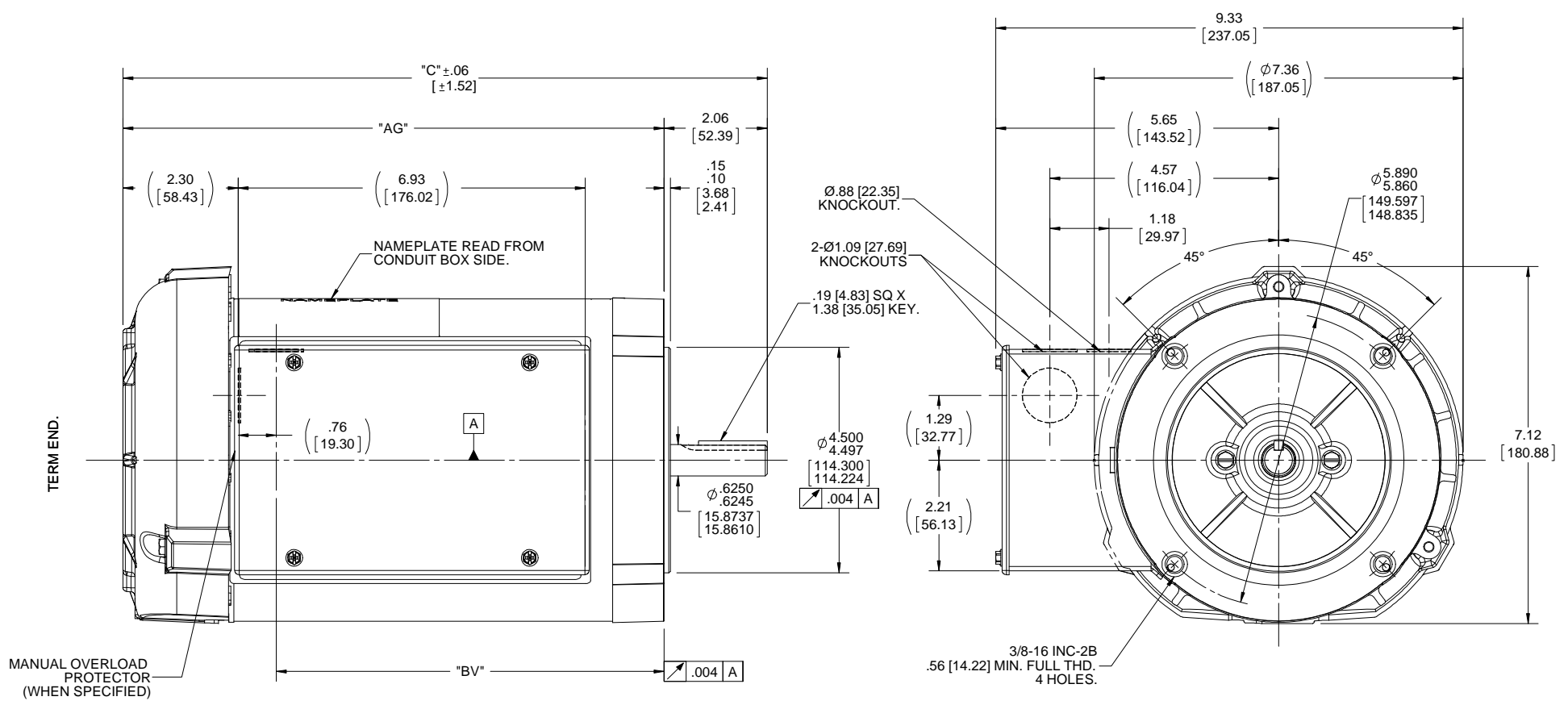
1

B

B

A

A



| DASH | "C" | "AG" | "BV" |
|------|----------------|----------------|---------------|
| 706 | 12.36 [313.94] | 10.30 [261.62] | 7.24 [183.89] |
| 756 | 12.86 [326.64] | 10.80 [274.32] | 7.74 [196.59] |
| 806 | 13.36 [339.34] | 11.30 [287.02] | 8.24 [209.29] |
| 856 | 13.86 [352.04] | 11.80 [299.72] | 8.74 [221.99] |
| 956 | 14.86 [377.44] | 12.80 [325.12] | 9.74 [247.39] |

| | | |
|---|-----------------------------|--------------------|
| DRAWING REVISION C | REVISION BY A SUPPANAVAR | DATE 03/26/2018 |
| ECO ECO-0152983 | APPROVED BY JD | DATE 09/19/2018 |
| ECO DESCRIPTION OUTLINE CONVERSION PROJECT | | |
| <small>COPYRIGHT REGAL BELOIT AMERICA, INC. ALL RIGHTS RESERVED. PROPRIETARY AND CONFIDENTIAL INFORMATION - THIS DOCUMENT IS THE PROPERTY OF REGAL BELOIT AMERICA, INC. ("OWNER") AND CONTAINS OWNER'S PROPRIETARY INFORMATION. ANY PERSON, CORPORATION OR OTHER FIRM RECEIVING IT IS DEEMED, BY RECEIVING IT, TO AGREE THAT IT, AND/OR ANY PART OF IT, SHALL NOT BE DISCLOSED TO ANY PERSON, CORPORATION OR OTHER ENTITY, DUPLICATED, AND/OR USED, EXCEPT AS EXPRESSLY APPROVED IN WRITING IN ADVANCE BY OWNER. THIS DOCUMENT SHALL BE RETURNED TO OWNER UPON REQUEST. IT MAY BE SUBJECT TO CERTAIN RESTRICTIONS UNDER APPLICABLE EXPORT CONTROL LAWS AND REGULATIONS.</small> | | |

| | | | |
|--|---------|-----------|--------|
| TOLERANCES UNLESS OTHERWISE SPECIFIED: | | | |
| DEC. | INCH | mm | ANGLE |
| .X | +0.1 | [+2.5] | ±7-30° |
| .XX | +0.03 | [+0.76] | |
| .XXX | +0.005 | [+0.127] | |
| .XXXX | +0.0005 | [±0.0127] | |
| REMOVE BURRS & BREAK SHARP EDGES: .003/.015 [0.076/.381] X 45° | | | |
| CORNER FILLETS: R.02 [51] | | | |
| MACHINED SURFACES: 200 INCH/mm 5.1 | | | |
| mm SHOWN IN [BRACKETS] | | | |

| |
|------------------------|
| DRAWN BY TJB |
| DATE 11-30-1999 |
| APPROVED BY GK |
| DATE 12-1-1999 |
| REFERENCE 100099 |
| THIRD ANGLE PROJECTION |

| | |
|---|-----------------------------------|
| Regal Beloit America, Inc. | |
| DESCRIPTION OUTLINE 56 FR.-BB-TEFC-C-FACE-1Ø | |
| MATERIAL | PROCESS/FINISH |
| SIZE B | DRAWING NUMBER 100099LN |
| | SHEET 1 OF 1 |

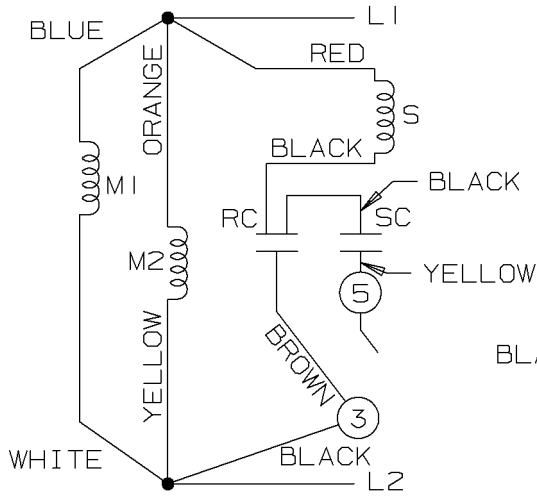
4

3

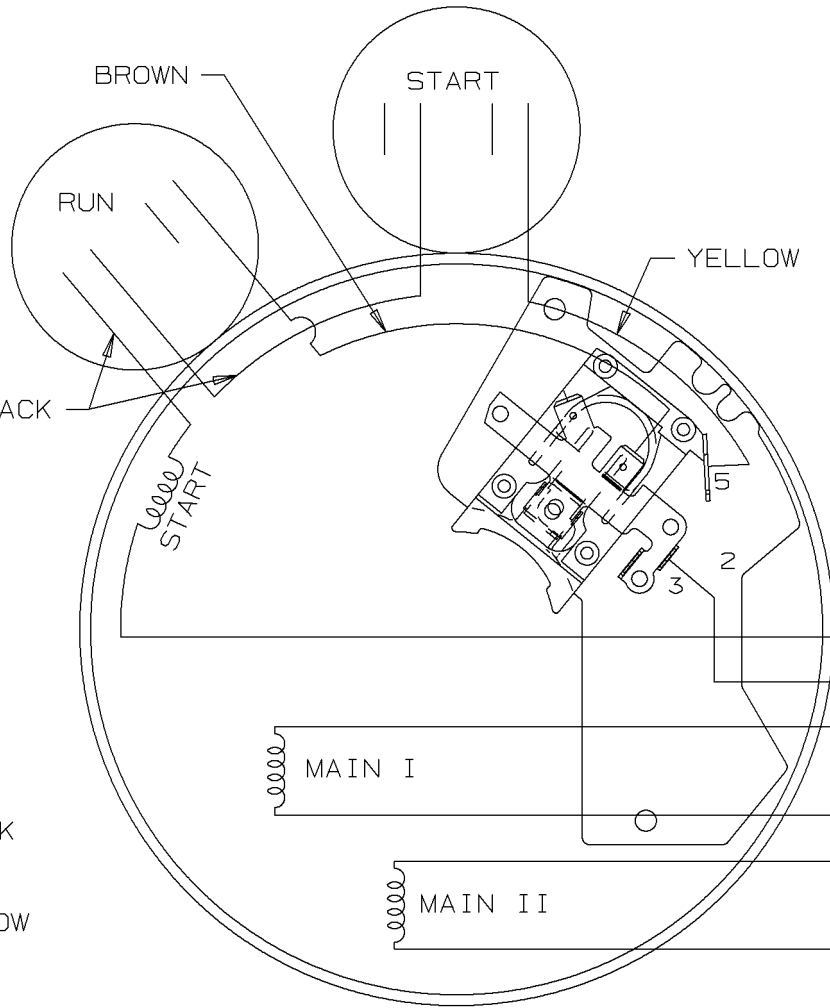
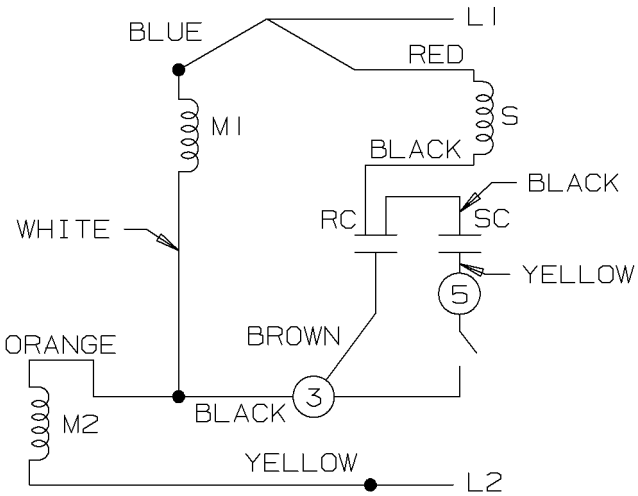
2

1

LOW VOLTAGE C.C.W.

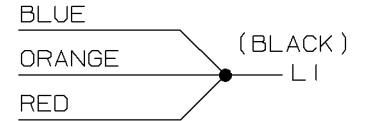


HIGH VOLTAGE C.C.W.

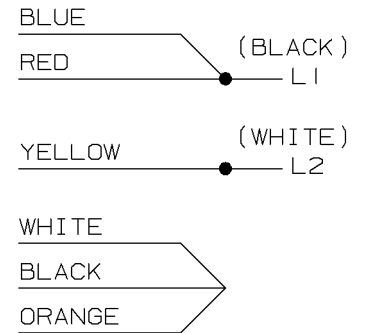


DUAL VOLTAGE CAPACITOR
START-CAP RUN NO OVERLOAD
SELECT ROTATION

LOW VOLTAGE C.C.W. ROTATION



HIGH VOLTAGE C.C.W. ROTATION



FOR C.W. ROTATION,
EITHER VOLTAGE,
INTERCHANGE RED WITH
BLACK LEAD

| | | | | | | | |
|-----|------------|-------------|------|-----------|---|---------|---|
| | | | | | ✓ UNLESS OTHERWISE SPECIFIED DIMENSIONS ARE IN INCHES TOL. ON XX± XXX±.005 XXXX±.0005 ANGLES± 7'30" | | |
| | | | | | MAX. SURFACE ROUGHNESS UNLESS OTHERWISE NOTED | | DRAWN BY BLR 09-29-1999 CHKD BY DRS 09-29-1999 |
| | | | | | FINISH | | APPD BY GK 09-29-1999 |
| 1 | 09-29-1999 | NEW DRAWING | BLR | PART NAME | CONNECTION DIAGRAM | DRWG NO | A-102006-51-LN |
| REV | DATE | CHANGE | NAME | | | | |

PURCHASED | CADD FILE NO. | 102006-51-LN