

PRODUCT INFORMATION PACKET



Model No: LM24738

Catalog No: LM24738

0.75 HP General Purpose Motor, 1 phase, 3600 RPM, 115/208-230 V, 56C Frame, TEFC
Single Phase TEFC Motors



Regal and Leeson are trademarks of Regal Beloit Corporation or one of its affiliated companies.

©2019 Regal Beloit Corporation, All Rights Reserved. MC017097E

The Regal logo is the word "REGAL" in a bold, sans-serif font, set against a dark grey, trapezoidal background. The background of the entire page features a blue-to-black gradient with a halftone dot pattern.

REGAL



Nameplate Specifications

Output HP	0.75 Hp	Output KW	0.56 kW
Frequency	60 Hz	Voltage	115/208-230 V
Current	10.6/5.3-5.3 A	Speed	3450 rpm
Service Factor	1.15	Phase	1
Efficiency	66 %	Power Factor	71.9
Duty	Continuous	Insulation Class	B
Design Code	N	KVA Code	M
Frame	56C	Enclosure	Totally Enclosed Fan Cooled
Thermal Protection	No	Ambient Temperature	40 °C
Drive End Bearing Size	6203	Opp Drive End Bearing Size	6203
UL	Recognized	CSA	Y
CE	N	IP Code	43

Technical Specifications

Electrical Type	Capacitor Start Induction Run	Starting Method	Across The Line
Poles	2	Rotation	Selective Counterclockwise
Resistance Main	0 Ohms	Mounting	Round
Motor Orientation	Horizontal	Drive End Bearing	Ball
Opp Drive End Bearing	Ball	Frame Material	Rolled Steel
Shaft Type	NEMA 56	Overall Length	12.32 in
Frame Length	7.06 in	Shaft Diameter	0.625 in
Shaft Extension	2.06 in	Assembly/Box Mounting	F1 Only

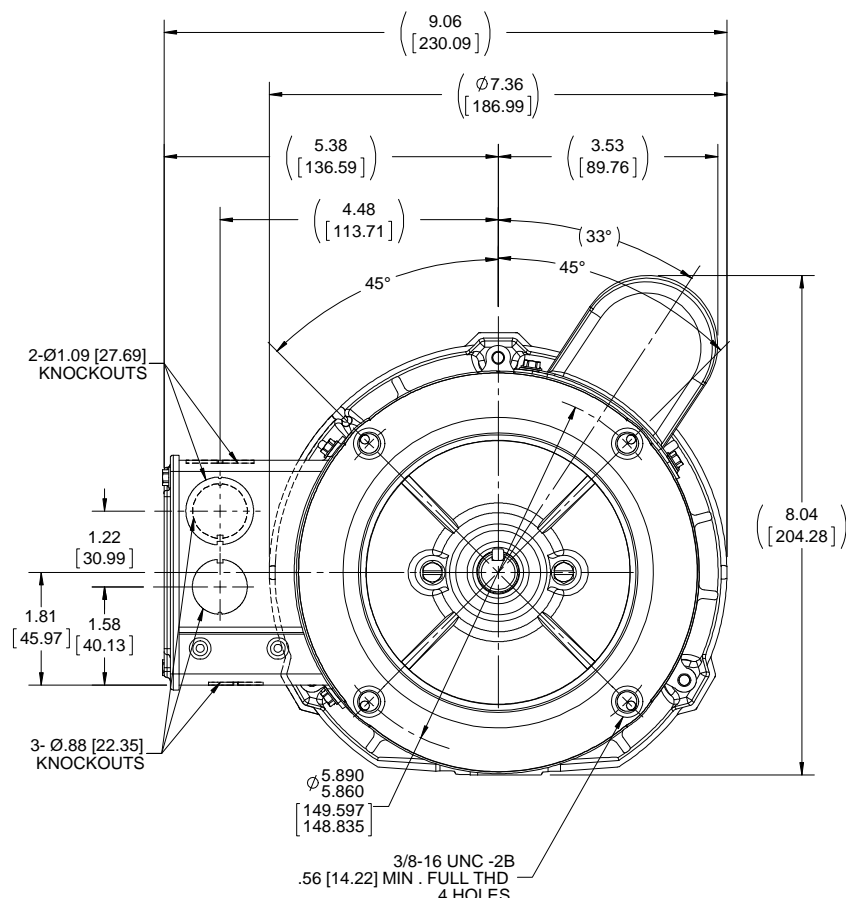
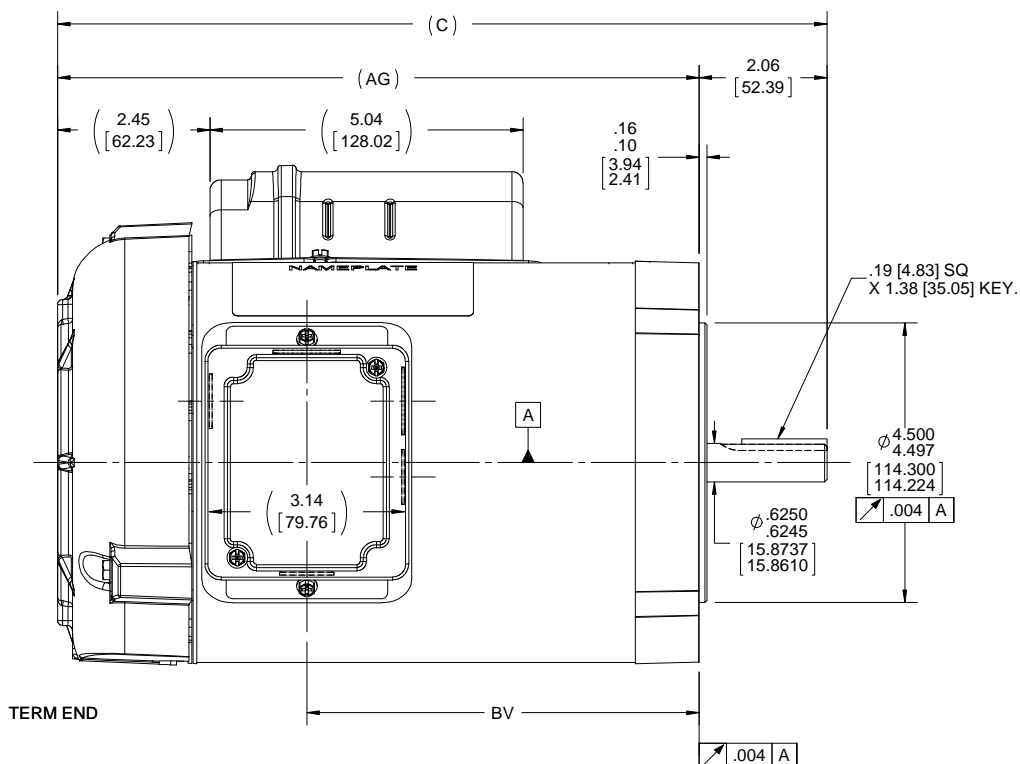
This is an uncontrolled document once printed or downloaded and is subject to change without notice. Date Created:01/11/2019

B

B

A

A



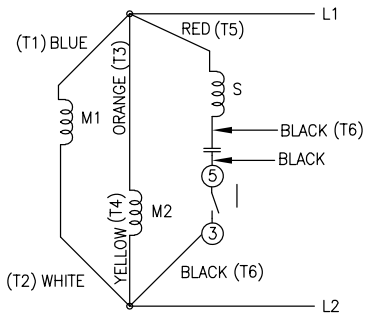
NOTE:-
 1) CONDUIT BOX CAN BE ROTATED 180°
 2) NAMEPLATE READ FROM CONDUIT BOX SIDE OF MOTOR.

DASH	"C"	"AG"	"BV"
656	11.89 [302.00]	9.83 [249.68]	5.82 [147.83]
706	12.39 [314.71]	10.33 [262.38]	6.32 [160.53]
756	12.89 [327.40]	10.83 [275.08]	6.82 [173.23]
806	13.39 [340.11]	11.33 [287.78]	7.32 [185.93]
856	13.89 [352.80]	11.83 [300.48]	7.82 [198.63]
906	14.39 [365.51]	12.33 [313.18]	8.32 [211.33]
956	14.89 [378.20]	12.83 [325.88]	8.82 [224.03]

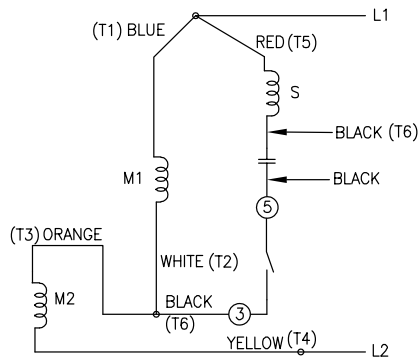
DRAWING REVISION C	REVISION BY A SUPPANAVAR	DATE 12/21/2018	TOLERANCES UNLESS OTHERWISE SPECIFIED: DEC. INCH mm ANGLE -X ±0.1 [±2.5] ±7-30° -XX ±0.03 [±0.76] -XXX ±0.005 [±0.127] -XXXX ±0.0005 [±0.0127] REMOVE BURRS & BREAK SHARP EDGES: .003/.015 [0.076/.381] X 45° CORNER FILLETS: R.02 [51] MACHINED SURFACES: 200 INCH mm 5.1 mm SHOWN IN [BRACKETS]	DRAWN BY TRB	Regal Beloit America, Inc. OUTLINE 56 FR. - BB - TEFC - "C" FACE - 1Ø	
ECO ECO-0159114	APPROVED BY J DAS	DATE 12/27/2018		DATE 09-09-1999		DESCRIPTION
ECO DESCRIPTION OUTLINE CONVERSION PROJECT <small>COPYRIGHT REGAL BELOIT AMERICA, INC. ALL RIGHTS RESERVED. PROPRIETARY AND CONFIDENTIAL INFORMATION - THIS DOCUMENT IS THE PROPERTY OF REGAL BELOIT AMERICA, INC. ("OWNER") AND CONTAINS OWNER'S PROPRIETARY INFORMATION. ANY PERSON, CORPORATION OR OTHER FIRM RECEIVING IT IS DEEMED, BY RECEIVING IT, TO AGREE THAT IT, AND/OR ANY PART OF IT, SHALL NOT BE DISCLOSED TO ANY PERSON, CORPORATION OR OTHER ENTITY, DUPLICATED, AND/OR USED, EXCEPT AS EXPRESSLY APPROVED IN WRITING IN ADVANCE BY OWNER. THIS DOCUMENT SHALL BE RETURNED TO OWNER UPON REQUEST. IT MAY BE SUBJECT TO CERTAIN RESTRICTIONS UNDER APPLICABLE EXPORT CONTROL LAWS AND REGULATIONS.</small>			APPROVED BY GK	MATERIAL	PROCESS/FINISH	
			DATE 09-09-1999	REFERENCE 100098LN		
			THIRD ANGLE PROJECTION	SIZE B	DRAWING NUMBER 100098LN	SHEET 1 OF 1

102005-51LN

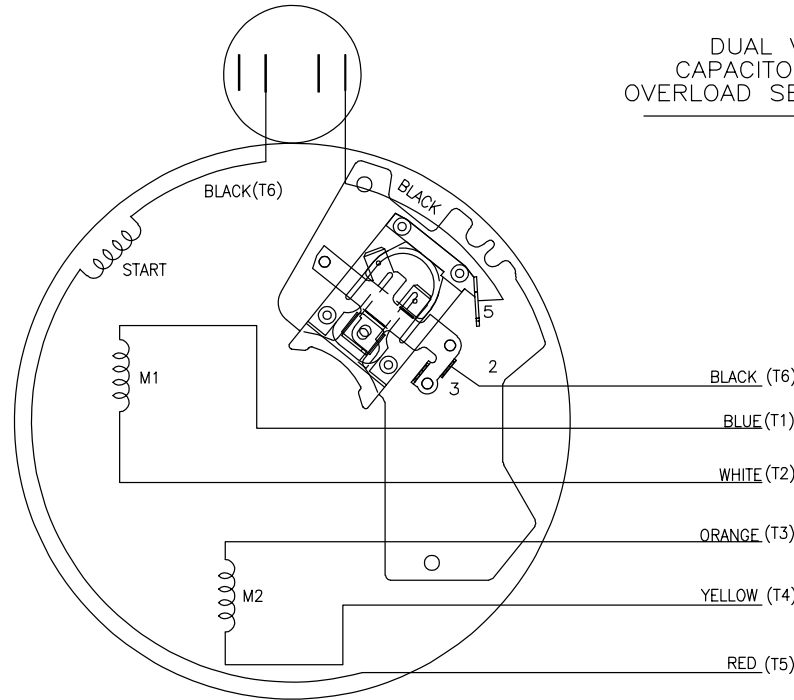
LOW VOLTAGE - C.C.W.



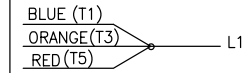
HIGH VOLTAGE - C.C.W.



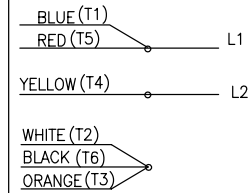
DUAL VOLTAGE
CAPACITOR START NO
OVERLOAD SELECT ROTATION




LOW VOLT. - C.C.W. ROT.



HIGH VOLT. - C.C.W. ROT.



FOR C.W. ROTATION EITHER
VOLTAGE INTERCHANGE
RED(T5) WITH BLACK(T6) LEAD

		TOLERANCES UNLESS SPECIFIED				DRAWN BLR 09-29-1999		
		DEC.	INCHES			CHK DRS 09-29-1999		
			.X	±.1	APPD GK 09-29-1999BLR		SCALE 5=9	
2	ADDED VIEW OF CORD MU37277	HLB 05-21-2001	.XX	±.02	TITLE CONNECTION DIAGRAM		REF	
1	NEW DRAWING	PST 09-29-1999	.XXX	±.005	MAT'L.		FMF	
NO.	REVISION	BY & DATE	CHK	ANG ±7'30"	FINISH	PREV		
THIS DRAWING IN DESIGN AND DETAIL IS OUR PROPERTY AND MUST NOT BE USED EXCEPT IN CONNECTION WITH OUR WORK ALL RIGHTS OF DESIGN AND INVENTION ARE RESERVED THIS IS AN ELECTRONICALLY GENERATED DOCUMENT - DO NOT SCALE THIS PRINT			RFP	CAD FILE 102005-51LN		SIZE A	DRAWING NO. 102005-51LN	PAGE OF 2
			DIST WP					REV. 2