

PRODUCT INFORMATION PACKET



Model No: SRF2S0.5TLCN1C6028

Catalog No: LM24736

1/2..3600.56C.TEFC.115/208-230.1.60....1.15...SRF2S0.5TLCN1C6028

Totally Enclosed Fan Cooled (TEFC)



Regal and Leeson are trademarks of Regal Beloit Corporation or one of its affiliated companies.

©2018 Regal Beloit Corporation, All Rights Reserved. MC017097E





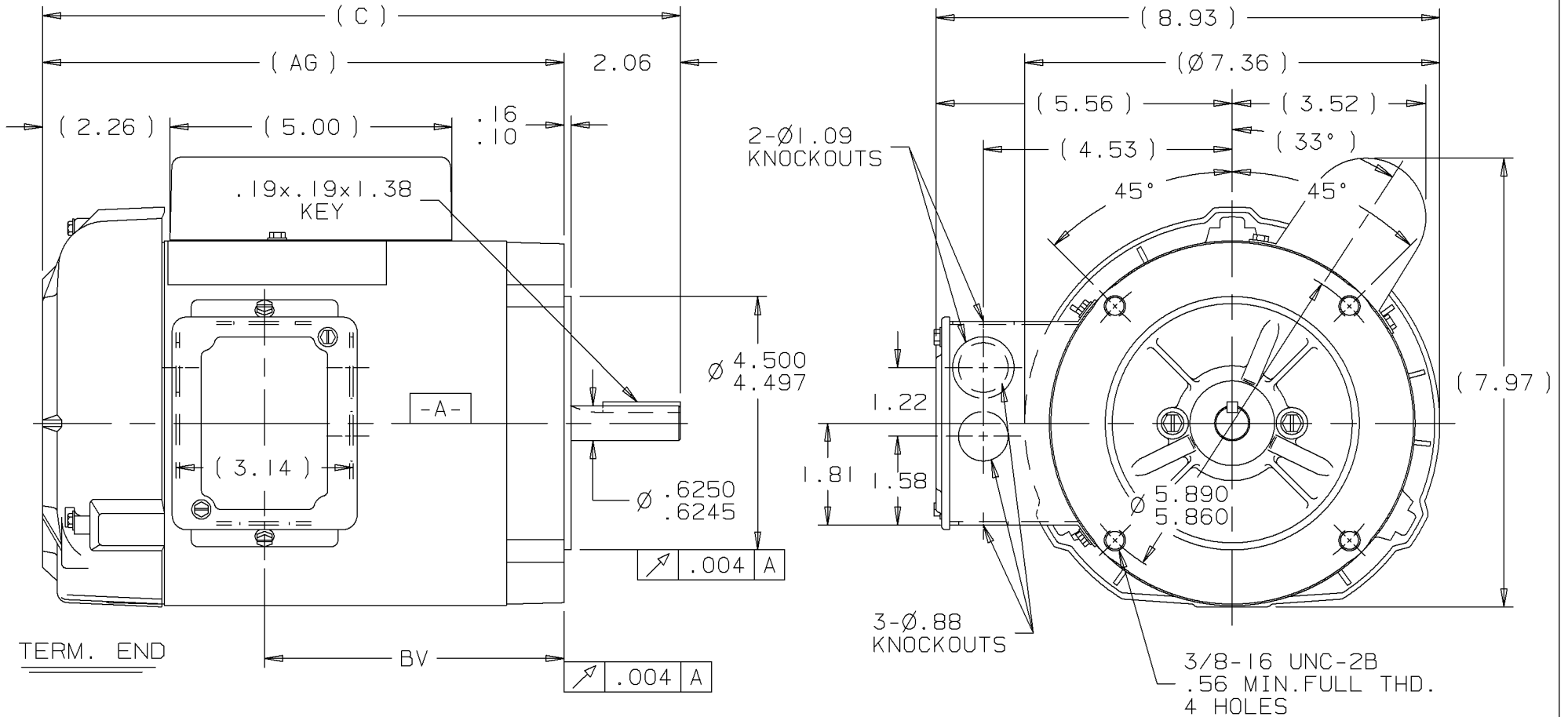
Nameplate Specifications

Output HP	0.50 Hp	Output KW	0.37 kW
Frequency	60 Hz	Voltage	115/208-230 V
Current	8.4/4.0-4.2 A	Speed	3450 rpm
Service Factor	1.15	Phase	1
Efficiency	59.5 %	Duty	Continuous
Insulation Class	B	Design Code	N
KVA Code	N	Frame	56C
Enclosure	Totally Enclosed Fan Cooled	Overload Protector	No
Ambient Temperature	40 °C	Drive End Bearing Size	203
Opp Drive End Bearing Size	203	UL	No
CSA	Y	CE	N
IP Code	43		

Technical Specifications

Electrical Type	Capacitor Start Induction Run	Starting Method	Across The Line
Poles	2	Rotation	Selective Counterclockwise
Mounting	Round	Motor Orientation	HORIZONTAL
Drive End Bearing	BALL	Opp Drive End Bearing	BALL
Frame Material	Rolled Steel	Shaft Type	T
Overall Length	11.82 in	Frame Length	6.56 in
Shaft Diameter	0.625 in	Shaft Extension	1.88 in
Assembly/Box Mounting	F1 ONLY		
Outline Drawing	A-100098LN-656	Connection Diagram	A-102005-51-LN

This is an uncontrolled document once printed or downloaded and is subject to change without notice. Date Created: 10/15/2018

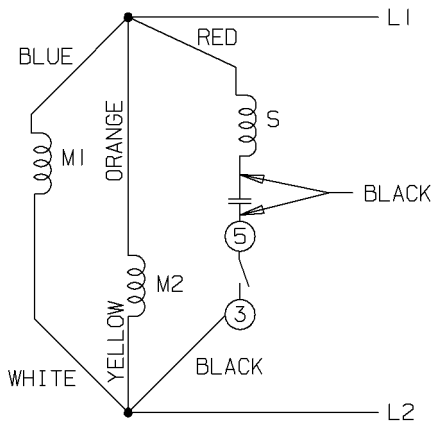


DASH	FR.	C	AG	BV	DASH	FR.	C	AG	BV
					806	56-80	13.32	11.25	7.31
656	56-65	11.82	9.75	5.81	856	56-85	13.82	11.75	7.81
706	56-70	12.32	10.25	6.31	906	56-90	14.32	12.25	8.31
756	56-75	12.82	10.75	6.81	956	56-95	14.82	12.75	8.81

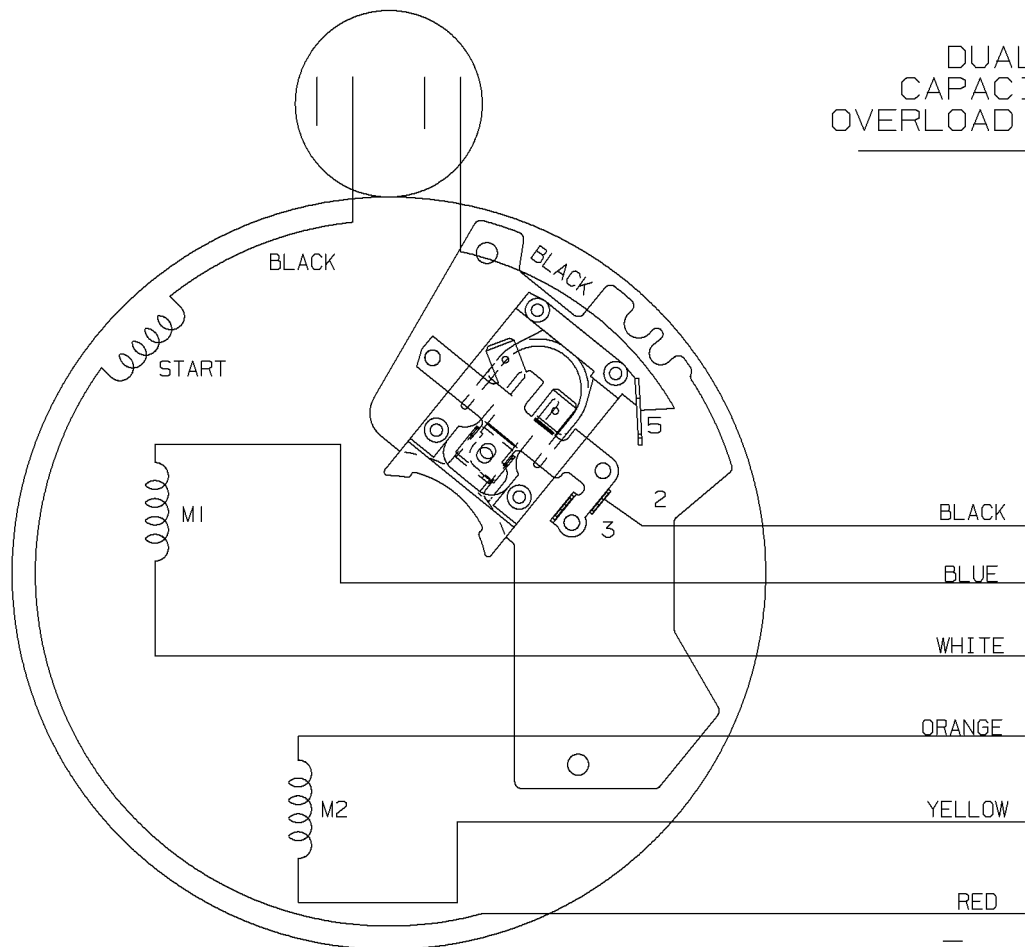
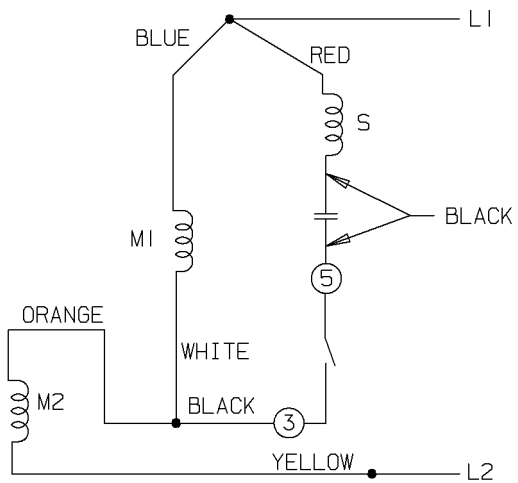
- NOTES:
 1. CONDUIT BOX CAN BE ROTATED 180°.
 2. NAMEPLATE READ FROM CONDUIT BOX SIDE OF MOTOR.

				Lincoln MOTORS				UNLESS OTHERWISE SPECIFIED DIMENSIONS ARE IN INCHES TOL. ON XX±.03 XXX±.005 XXXX±.0005 ANGLES± 7'30"			
				MAX. SURFACE ROUGHNESS UNLESS OTHERWISE NOTED				DRAWN BY TRB		09-09-1999	
				FINISH				CHKD BY ML		09-09-1999	
				MATERIAL				APPD BY GK		09-09-1999	
REV DATE CHANGE				PART NAME OUTLINE				DRWG NO			
				56 FR. - BB - TEFC - C* FACE - 1Ø				A-100098LN			
				PURCHASED		CADD FILE NO.		100098LN			

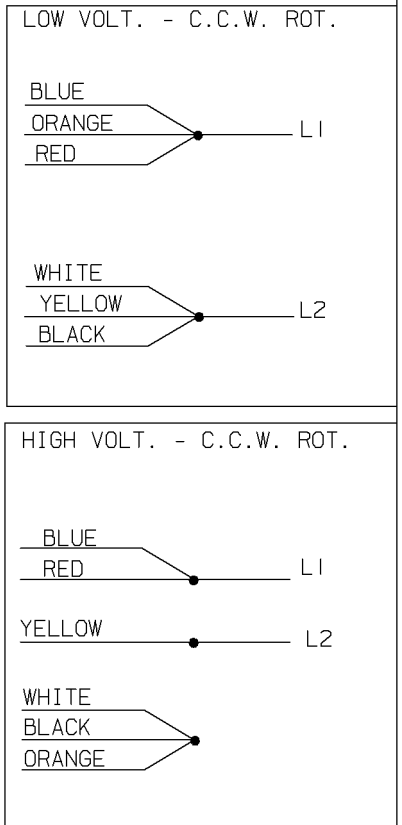
LOW VOLTAGE - C.C.W.



HIGH VOLTAGE - C.C.W.



DUAL VOLTAGE
CAPACITOR START NO
OVERLOAD SELECT ROTATION



FOR C.W. ROTATION EITHER
VOLTAGE INTERCHANGE
RED WITH BLACK LEAD

2	05-21-2001	ADDED VIEW OF CORD	MU37277	HLB
1	09-29-1999	NEW DRAWING		BLR
REV	DATE	CHANGE		NAME

UNLESS OTHERWISE SPECIFIED DIMENSIONS ARE IN INCHES
TOL. ON XX±.02 XXX±.005 XXXX±.0005 ANGLES± 7'30"

MAX. SURFACE ROUGHNESS UNLESS OTHERWISE NOTED	DRAWN BY BLR	09-29-1999
FINISH	CHKD BY DRS	09-29-1999
MATERIAL	APPD BY GK	09-29-1999

PART NAME CONNECTION DIAGRAM

DRWG NO
A-102005-51-LN



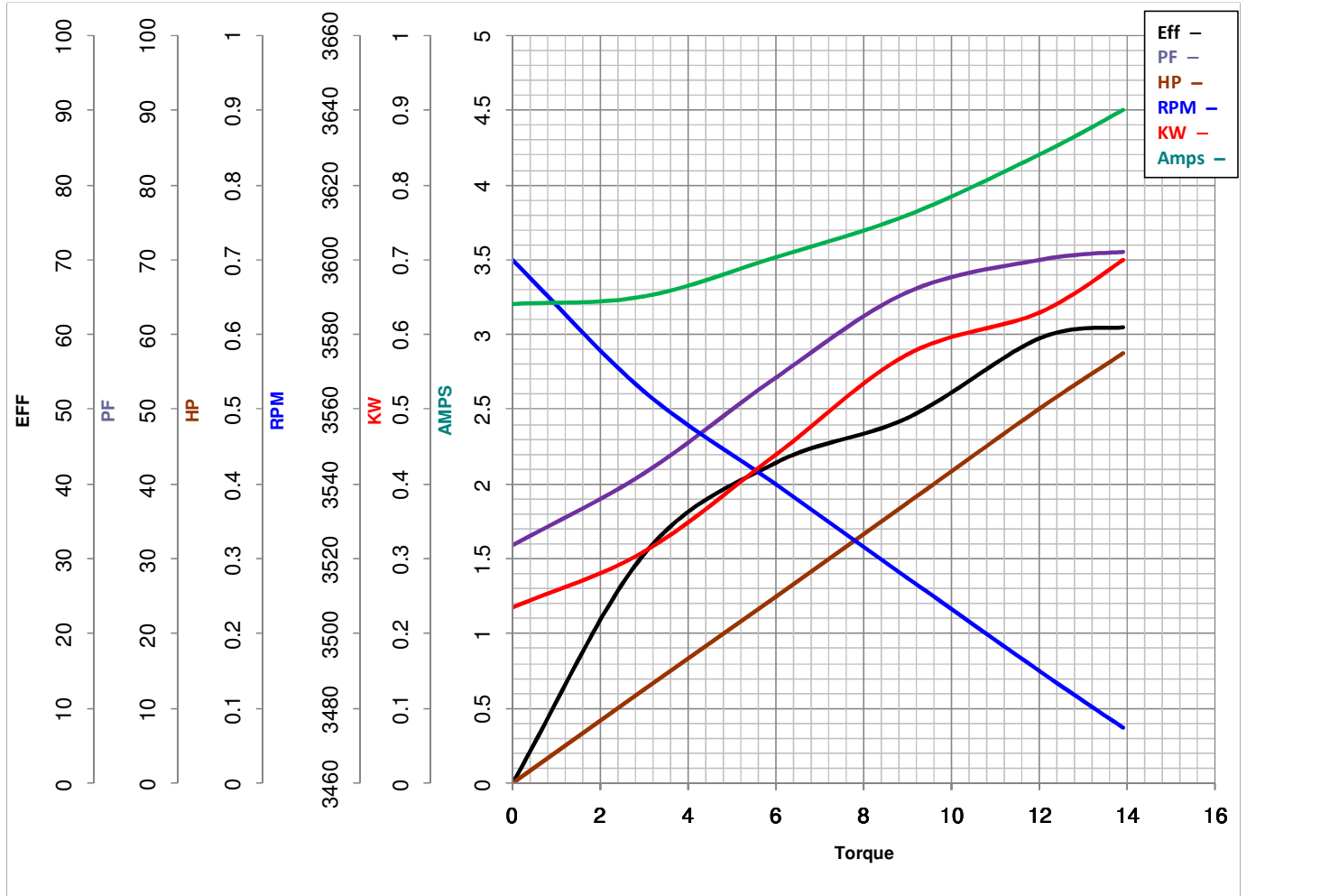
LEESON ELECTRIC CORPORATION
 TYPICAL PERFORMANCE CURVE for AC MOTOR

Model No LM24736

Catalog No LM24736E

Curve at 230 Volts HP 0.50 PHASE 1
60 HZ
0.5 HP VOLTS 115/208-230

HZ 60 RPM 3450



FL TORQUE	<u>12</u>	Oz.Ft	FL AMPS	<u>8.4/4-4.2</u>
BD TORQUE	<u>35.5</u>	Oz.Ft	PU TORQUE	<u>32.0</u> Oz.Ft
LR TORQUE	<u>45</u>	Oz.Ft	LR AMPS	<u>24.5</u>
WINDING	ZC280-3		Date	4/19/2018