

# PRODUCT INFORMATION PACKET



Model No: SRF6S0.33TLCN1C6028

Catalog No: LM24735

1/3..1200.56C.TEFC.115/208-230.1.60....1.15...SRF6S0.33TLCN1C60.28

Totally Enclosed Fan Cooled (TEFC)



Regal and Leeson are trademarks of Regal Beloit Corporation or one of its affiliated companies.

©2018 Regal Beloit Corporation, All Rights Reserved. MC017097E





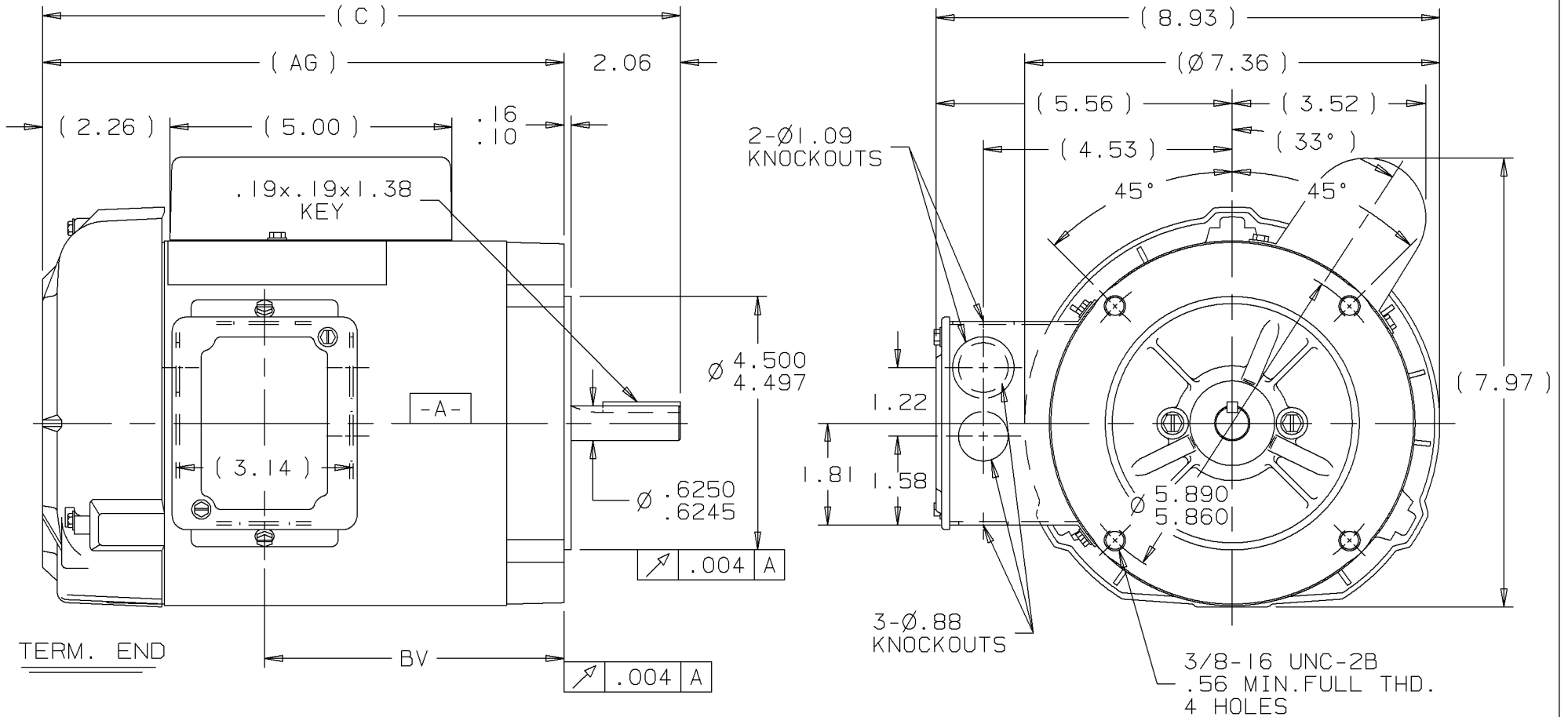
### Nameplate Specifications

Output HP	<b>0.33 Hp</b>	Output KW	<b>0.25 kW</b>
Frequency	<b>60 Hz</b>	Voltage	<b>115/208-230 V</b>
Current	<b>7.8/3.6-3.9 A</b>	Speed	<b>1140 rpm</b>
Service Factor	<b>1.15</b>	Phase	<b>1</b>
Efficiency	<b>52.5 %</b>	Duty	<b>Continuous</b>
Insulation Class	<b>F</b>	Design Code	<b>N</b>
KVA Code	<b>N</b>	Frame	<b>56Z</b>
Enclosure	<b>Totally Enclosed Fan Cooled</b>	Overload Protector	<b>No</b>
Ambient Temperature	<b>40 °C</b>	Drive End Bearing Size	<b>6203</b>
Opp Drive End Bearing Size	<b>6203</b>	UL	<b>Recognized</b>
CSA	<b>Y</b>	CE	<b>N</b>
IP Code	<b>43</b>		

### Technical Specifications

Electrical Type	<b>Capacitor Start Induction Run</b>	Starting Method	<b>Across The Line</b>
Poles	<b>6</b>	Rotation	<b>Fixed Clockwise</b>
Mounting	<b>Round</b>	Motor Orientation	<b>HORIZONTAL</b>
Drive End Bearing	<b>BALL</b>	Opp Drive End Bearing	<b>BALL</b>
Frame Material	<b>Rolled Steel</b>	Shaft Type	<b>Single Special Extension</b>
Overall Length	<b>12.32 in</b>	Frame Length	<b>7.06 in</b>
Shaft Diameter	<b>0.625 in</b>	Shaft Extension	<b>2.06 in</b>
Assembly/Box Mounting	<b>F1 ONLY</b>		
Outline Drawing	<b>A-100098LN-706</b>	Connection Diagram	<b>102005-65-LN</b>

**This is an uncontrolled document once printed or downloaded and is subject to change without notice. Date Created: 10/15/2018**

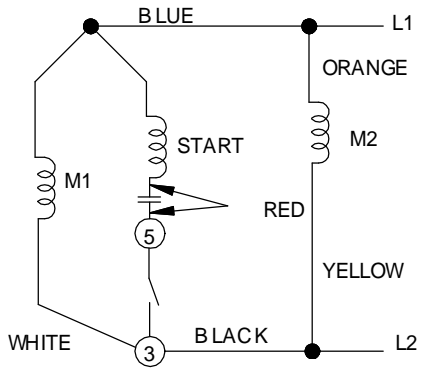


DASH	FR.	C	AG	BV	DASH	FR.	C	AG	BV
					806	56-80	13.32	11.25	7.31
656	56-65	11.82	9.75	5.81	856	56-85	13.82	11.75	7.81
706	56-70	12.32	10.25	6.31	906	56-90	14.32	12.25	8.31
756	56-75	12.82	10.75	6.81	956	56-95	14.82	12.75	8.81

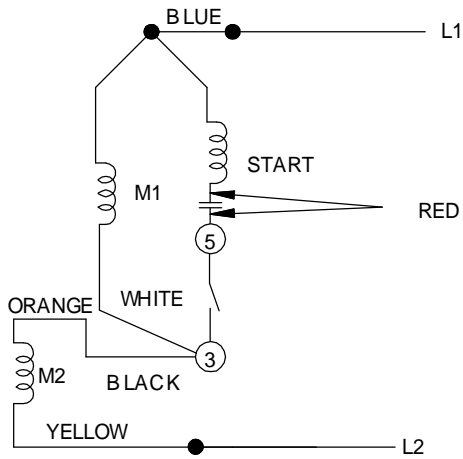
- NOTES:  
 1. CONDUIT BOX CAN BE ROTATED 180°.  
 2. NAMEPLATE READ FROM CONDUIT BOX SIDE OF MOTOR.

				<b>Lincoln MOTORS</b>		UNLESS OTHERWISE SPECIFIED DIMENSIONS ARE IN INCHES TOL. ON XX±.03 XXX±.005 XXXX±.0005 ANGLES± 7'30"					
				MAX. SURFACE ROUGHNESS UNLESS OTHERWISE NOTED		DRAWN BY		TRB		09-09-1999	
				FINISH		CHKD BY		ML		09-09-1999	
				MATERIAL		APPD BY		GK		09-09-1999	
REV	DATE	CHANGE				NAME	PART NAME				DRWG NO
							OUTLINE				A-100098LN
							56 FR. - BB - TEFC - C* FACE - 1Ø				
							PURCHASED		CADD FILE NO.		100098LN

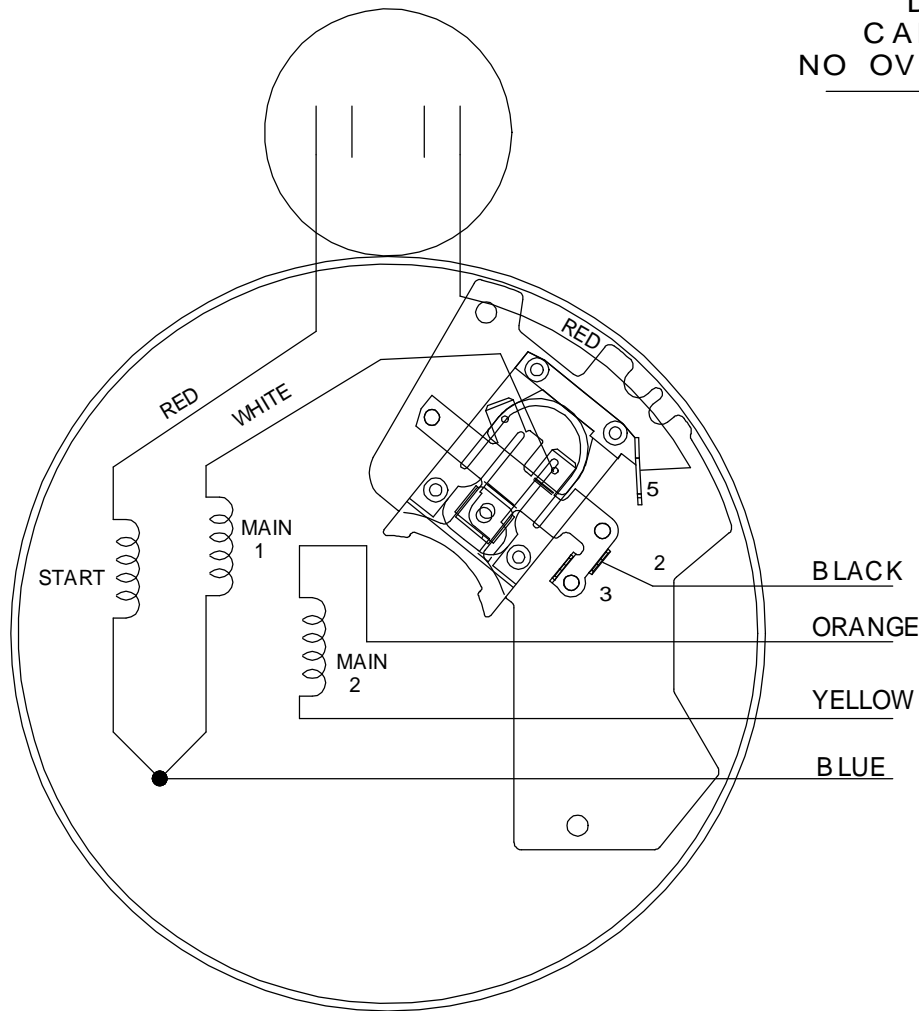
LOW VOLTAGE - C.W.



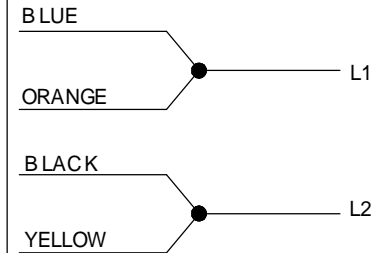
HIGH VOLTAGE - C.W.



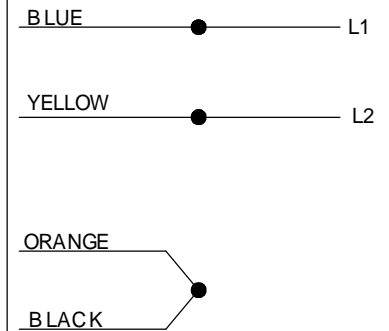
DUAL VOLTAGE  
CAPACITOR START  
NO OVERLOAD - C.W. FIXED



LOW VOLT. - C.W. ROT.



HIGH VOLT. - C.W. ROT.



				TOLERANCES UNLESS SPECIFIED			DRAWN VJB 07/26/12	
				DEC	INCHES		CHK	
				.X	±.1		APPR	
				.XX	±.01		SCALE 5:8	
				.XXX	±.005		REF 102005-65	
				.XXXX	±.0005	FMF LM24735		
NO	REVISION	BY & DATE	CHK	ANG	±1/2°	MAT'L	FINISH	PAGE OF
THIRD ANGLE PROJECTION			RFP	PREV		SIZE	DRAWING NO	REV
			NETWORK FILE NAME		102005_65_LN	<b>A</b>	<b>102005-65-LN</b>	



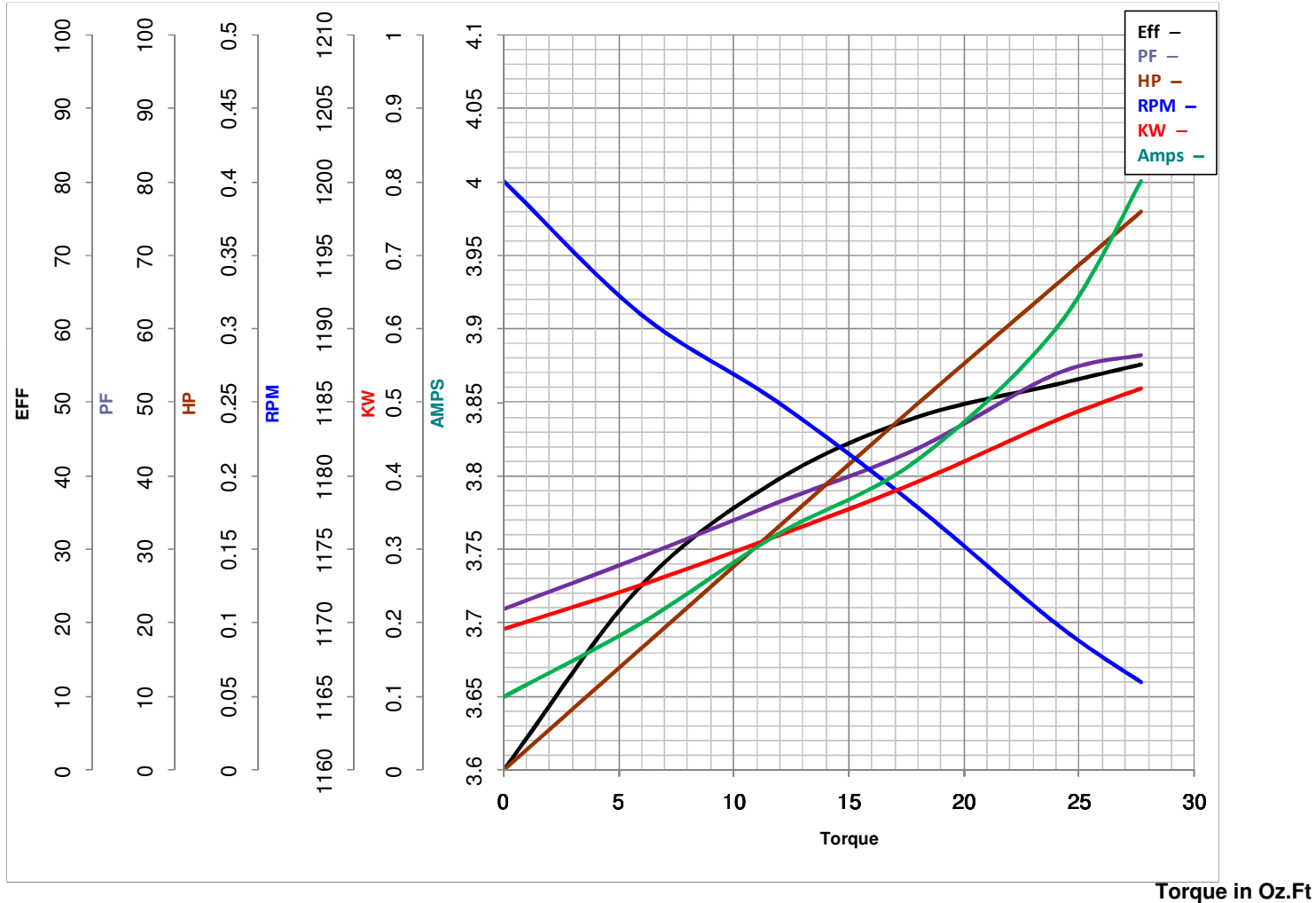
**LEESON ELECTRIC CORPORATION**  
TYPICAL PERFORMANCE CURVE for AC MOTOR

Model No LM24735

Curve at 230 Volts      HP 0.34      PHASE 1  
60 HZ  
0.33 HP      VOLTS 115/208-230

Catalog No LM24735D

HZ 60      RPM 1140



<b>FL TORQUE</b>	<u>24</u>	Oz.Ft	<b>FL AMPS</b>	<u>7.8/3.6-3.9</u>
<b>BD TORQUE</b>	<u>66.9</u>	Oz.Ft	<b>PU TORQUE</b>	<u>52.9</u> Oz.Ft
<b>LR TORQUE</b>	<u>77.1</u>	Oz.Ft	<b>LR AMPS</b>	<u>17.9</u>
<b>WINDING</b>	<u>ZC605-3</u>		<b>Date</b>	<u>3/26/2018</u>