

PRODUCT INFORMATION PACKET



Model No: SRN2S0.33TLCN1C6028

Catalog No: LM24734

..1/3..3600.S56C.TENV.115/208-230.1.60...1.15..SRN2S0.33TLCN1C6028.....

Totally Enclosed Non-Ventilated (TENV)



Regal and Leeson are trademarks of Regal Beloit Corporation or one of its affiliated companies.

©2018 Regal Beloit Corporation, All Rights Reserved. MC017097E





Nameplate Specifications

Output HP	0.33 Hp	Output KW	0.25 kW
Frequency	60 Hz	Voltage	115/208-230 V
Current	4.4/2.2-2.2 A	Speed	3525 rpm
Service Factor	1.15	Phase	1
Efficiency	70 %	Duty	Continuous
Insulation Class	B	Design Code	NO DESIGN CODE
KVA Code	L	Frame	S56C
Enclosure	Totally Enclosed Non Ventilated	Overload Protector	No
Ambient Temperature	40 °C	Drive End Bearing Size	6203
Opp Drive End Bearing Size	6203	UL	Recognized
CSA	Y	CE	N
IP Code	43		

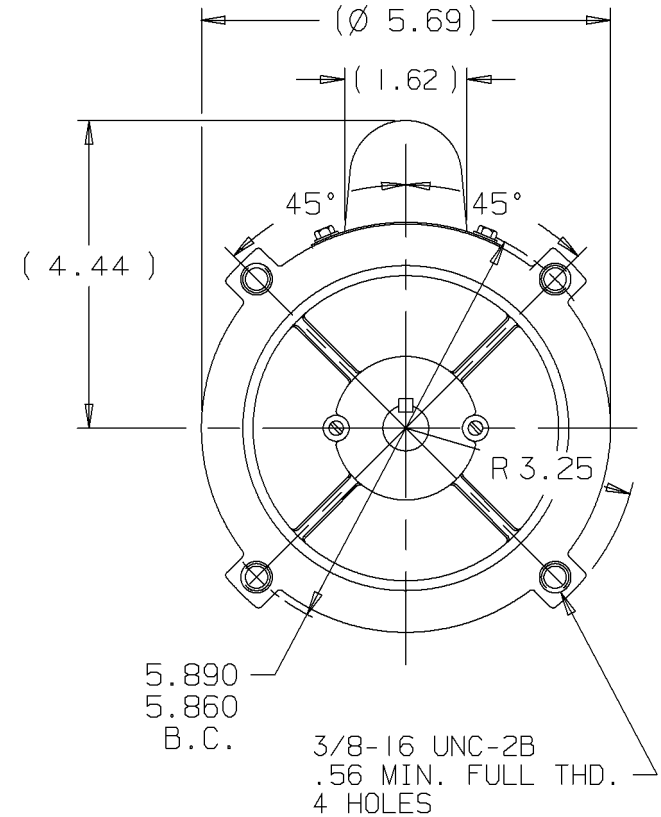
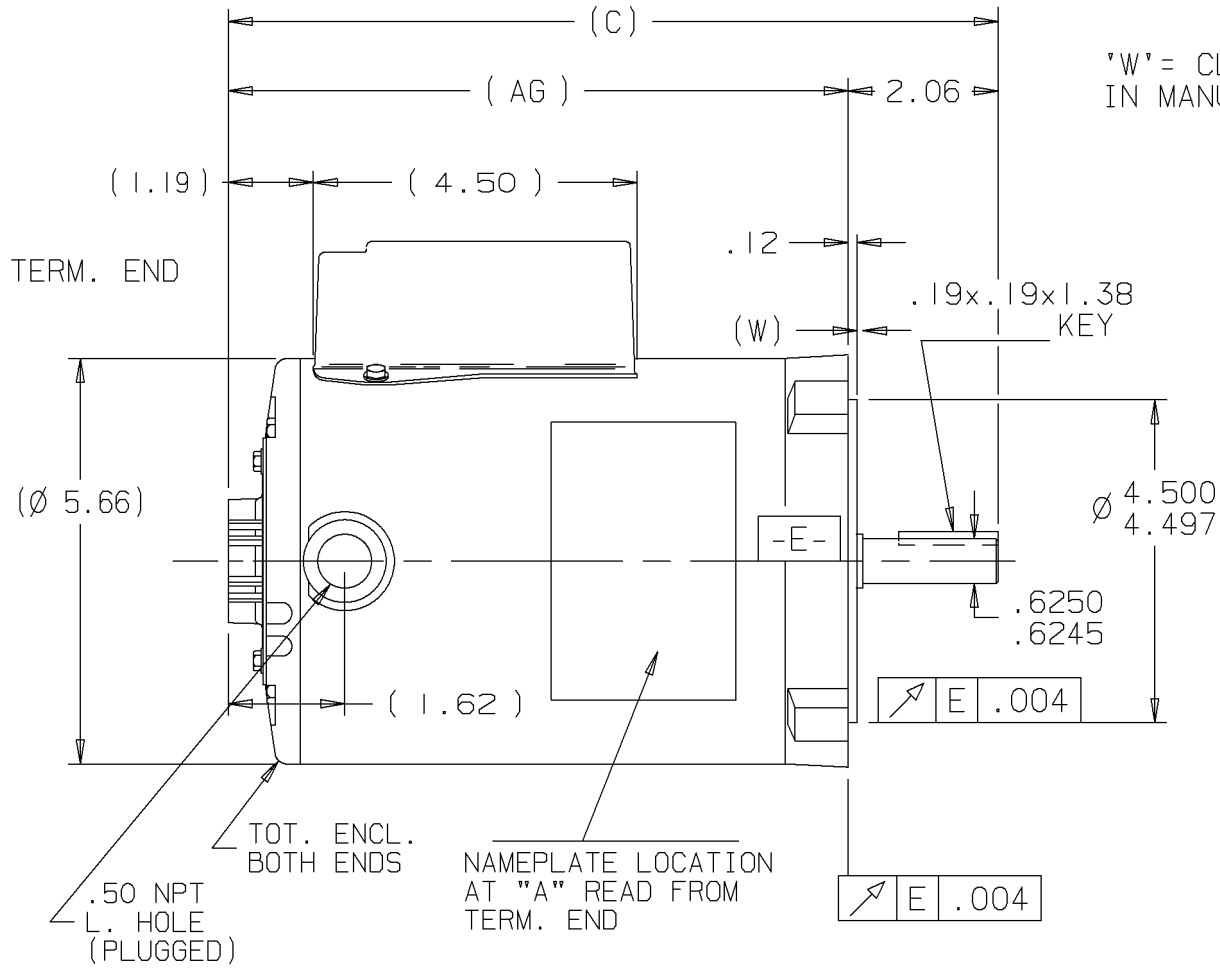
Technical Specifications

Electrical Type	Capacitor Start Induction Run	Starting Method	Across The Line
Poles	2	Rotation	Selective Counterclockwise
Mounting	Round	Motor Orientation	HORIZONTAL
Drive End Bearing	BALL	Opp Drive End Bearing	BALL
Frame Material	Rolled Steel	Shaft Type	NEMA 56
Overall Length	10.19 in	Frame Length	6.25 in
Shaft Diameter	0.625 in	Shaft Extension	1.88 in
Assembly/Box Mounting	F1 ONLY		
Outline Drawing	A-SS73635LN-625	Connection Diagram	A-EE9002E-LN

This is an uncontrolled document once printed or downloaded and is subject to change without notice. Date Created: 10/15/2018

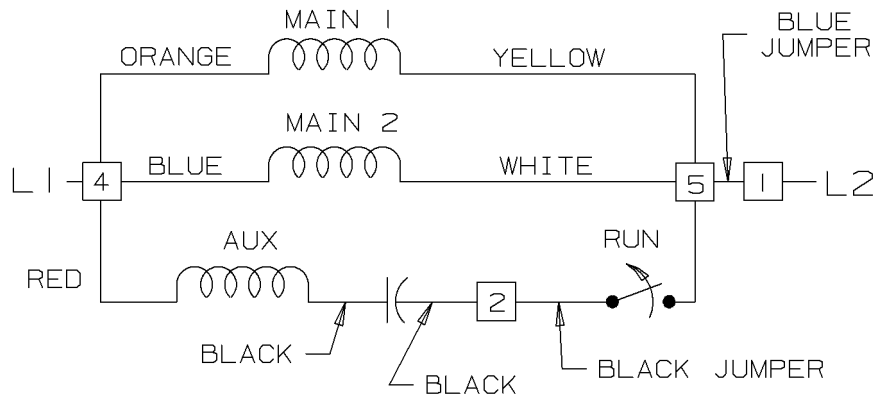
A- SS73635LN

'W' = CLEARANCE ALLOWED FOR ALL VARIANCES IN MANUFACTURING & ASSEMBLY

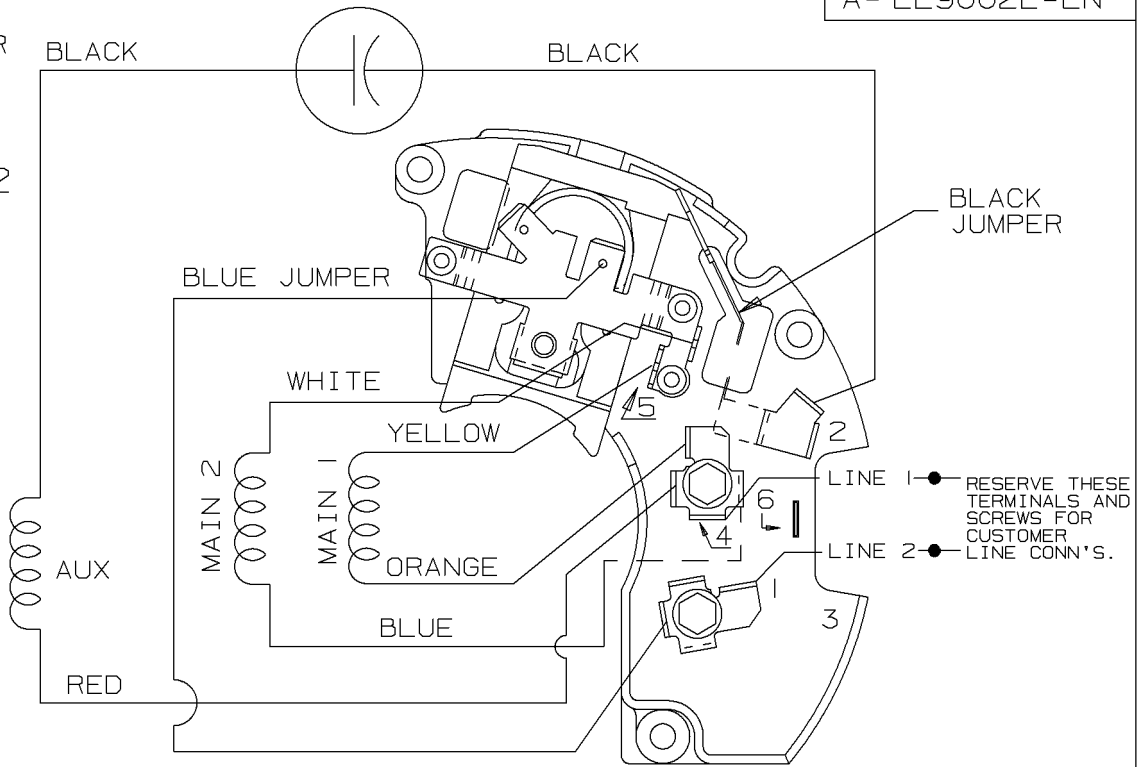


DASH	C	AG	DASH	C	AG
625	10.19	8.12	750	11.44	9.38
675	10.69	8.62			
725	11.19	9.12			

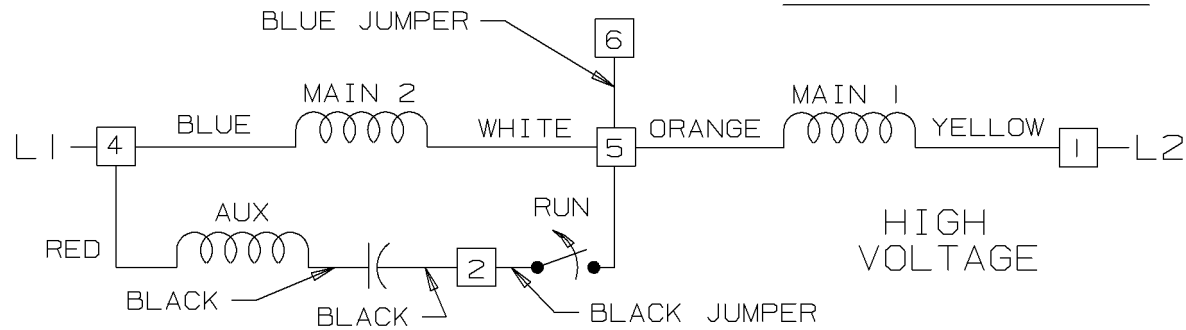
						<input checked="" type="checkbox"/> UNLESS OTHERWISE SPECIFIED DIMENSIONS ARE IN INCHES TOL. ON XX± .03 XXX± .005 XXXX± .0005 ANGLES± 7'30"				
						MAX. SURFACE ROUGHNESS UNLESS OTHERWISE NOTED		DRAWN BY TJB		11-17-1999
						FINISH		CHKD BY		
						MATERIAL		APPD BY		
I		NEW DRAWING		TJB		PART NAME OUTLINE				
REV		DATE		CHANGE		NAME		DRWG NO A- SS73635LN		



DUAL VOLTAGE CAPACITOR START
REVERSIBLE ON TERM BOARD
NO OVERLOAD PROTECTION



VIEWING TERM END



LOW VOLTAGE CCW ROTATION SHOWN

FOR HIGH VOLTAGE:
CONNECT BLUE TERM 1 TO TERM 6,
CONNECT YELLOW TERM 5 TO TERM 1,
CONNECT ORANGE TERM 4 TO TERM 5.

TO REVERSE ROTATION EITHER VOLTAGE
INTERCHANGE RED LEAD WITH BLACK LEAD

				UNLESS OTHERWISE SPECIFIED DIMENSIONS ARE IN INCHES TOL. ON XX± XXX±.005 XXXX±.0005 ANGLES±			
				MAX. SURFACE ROUGHNESS UNLESS OTHERWISE NOTED	DRAWN BY BLR 10-04-1999		
				FINISH	CHKD BY DRS 10-04-1999		
1	10-04-1999	NEW DRAWING	BLR	MATERIAL		APPD BY GK 10-04-1999	
REV	DATE	CHANGE	NAME	PART NAME CONNECTION DIAGRAM 48 FR. DUAL VOLTAGE REVERSIBLE			DRWG NO A- EE9002E-LN
				PURCHASED	CADD FILE NO.	EE9002E-LN	



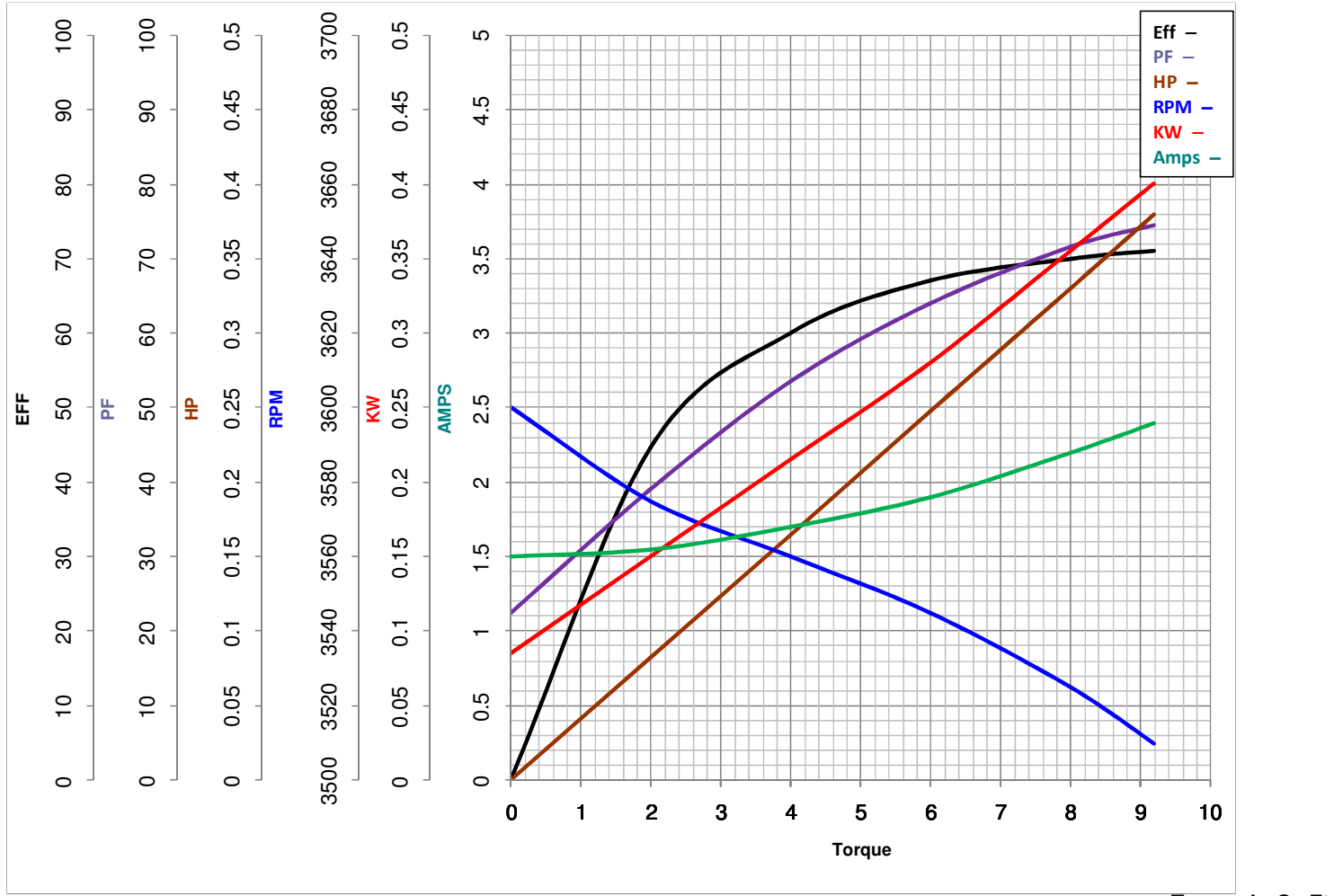
LEESON ELECTRIC CORPORATION
TYPICAL PERFORMANCE CURVE for AC MOTOR

Model No LM24734

Curve at 230 Volts HP 0.34 PHASE 1
60 HZ
0.33 HP VOLTS 115/208-230

Catalog No LM24734B

HZ 60 RPM 3525



FL TORQUE	<u>8</u>	Oz.Ft	FL AMPS	<u>4.4/2.2-2.2</u>
BD TORQUE	<u>24.5</u>	Oz.Ft	PU TORQUE	<u>22.7</u> Oz.Ft
LR TORQUE	<u>29</u>	Oz.Ft	LR AMPS	<u>14.6</u>
WINDING	CE482186-3		Date	3/27/2018