

# PRODUCT INFORMATION PACKET



Model No: SRN4S0.25TLCN1C6028

Catalog No: LM24733

..1/4..1800.S56C.TENV.115/208-230.1.60...1.15..SRN4S0.25TLCN1C6028.....

Totally Enclosed Non-Ventilated (TENV)



Regal and Leeson are trademarks of Regal Beloit Corporation or one of its affiliated companies.

©2018 Regal Beloit Corporation, All Rights Reserved. MC017097E





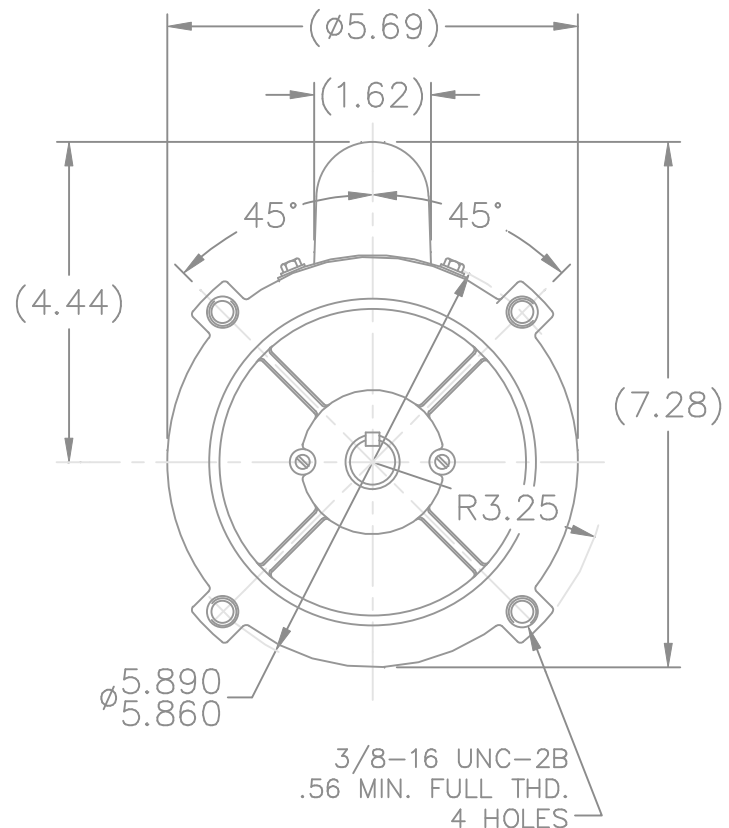
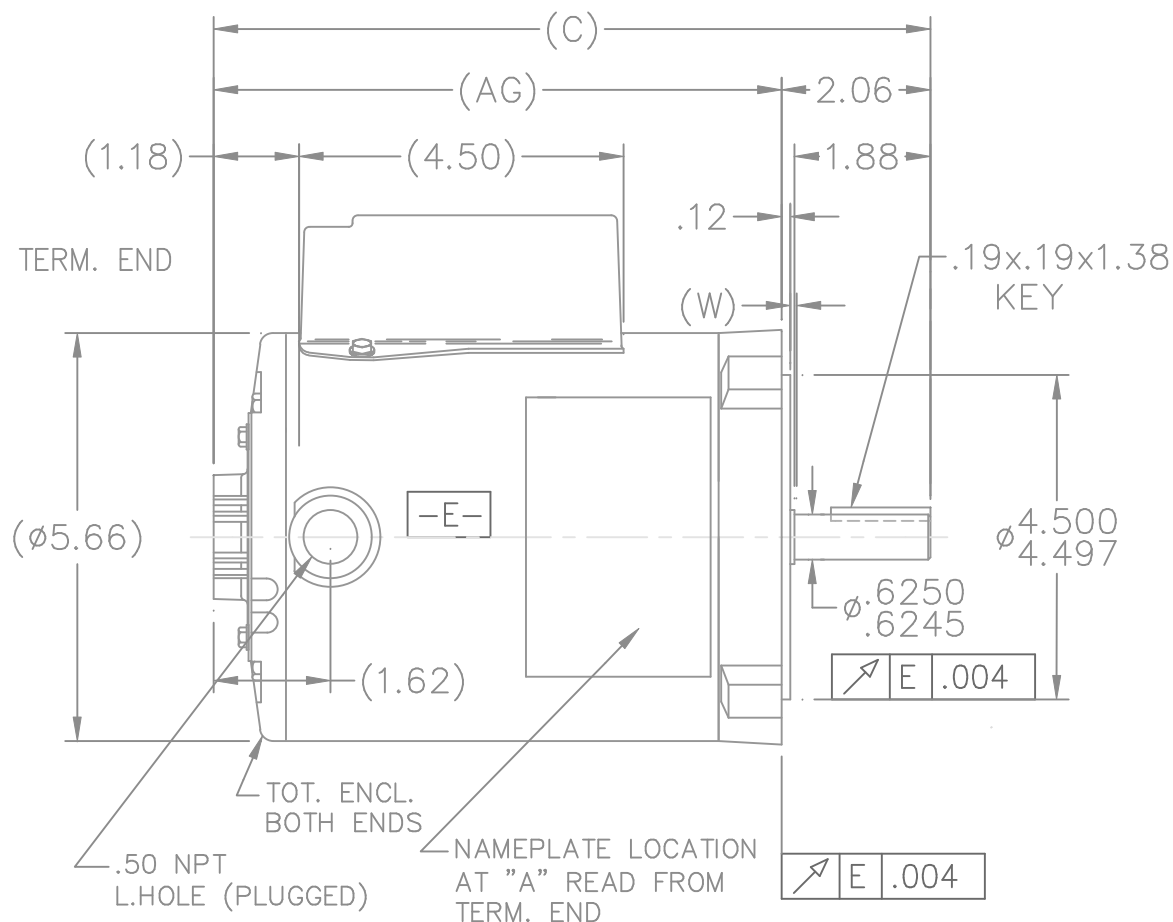
### Nameplate Specifications

Output HP	<b>0.25 Hp</b>	Output KW	<b>0.19 kW</b>
Frequency	<b>60 Hz</b>	Voltage	<b>115/208-230 V</b>
Current	<b>4.0/2.0-2.0 A</b>	Speed	<b>1725 rpm</b>
Service Factor	<b>1</b>	Phase	<b>1</b>
Efficiency	<b>62 %</b>	Duty	<b>Continuous</b>
Insulation Class	<b>B</b>	Design Code	<b>NO DESIGN CODE</b>
KVA Code	<b>M</b>	Frame	<b>S56C</b>
Enclosure	<b>Totally Enclosed Non Ventilated</b>	Overload Protector	<b>No</b>
Ambient Temperature	<b>40 °C</b>	Drive End Bearing Size	<b>6203</b>
Opp Drive End Bearing Size	<b>6203</b>	UL	<b>Recognized</b>
CSA	<b>Y</b>	CE	<b>N</b>
IP Code	<b>43</b>		

### Technical Specifications


Electrical Type	<b>Capacitor Start Induction Run</b>	Starting Method	<b>Across The Line</b>
Poles	<b>4</b>	Rotation	<b>Selective Counterclockwise</b>
Mounting	<b>Round</b>	Motor Orientation	<b>HORIZONTAL</b>
Drive End Bearing	<b>BALL</b>	Opp Drive End Bearing	<b>BALL</b>
Frame Material	<b>Rolled Steel</b>	Shaft Type	<b>NEMA 56</b>
Overall Length	<b>9.94 in</b>	Frame Length	<b>6.00 in</b>
Shaft Diameter	<b>0.625 in</b>	Shaft Extension	<b>1.88 in</b>
Assembly/Box Mounting	<b>F1 ONLY</b>		
Outline Drawing	<b>A-SS73680LN-600</b>	Connection Diagram	<b>A-EE9002E-LN</b>

**This is an uncontrolled document once printed or downloaded and is subject to change without notice. Date Created: 10/15/2018**



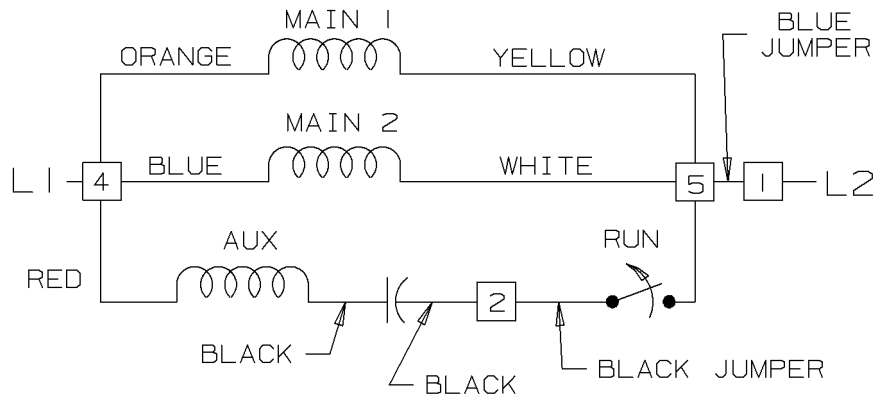
DASH	FR	C	AG	
600	48	9.94	7.88	

'W' = CLEARANCE ALLOWED FOR ALL VARIANCES IN MANUFACTURING & ASSEMBLY

				TOLERANCES UNLESS SPECIFIED			DRAWN TJB 12-01-1999	
				DEC.	INCHES		CHK ML 12-01-1999	
				.X	±.1		APPD GK 12-01-1999	
				.XX	±.03		SCALE 3=8	
				.XXX	±.005	REF		
1	NEW DRAWING	TJB 12-01-1999		.XXXX	±.0005	MAT'L.		
NO.	REVISION	BY & DATE	CHK	ANG	±7'30"	FINISH		
				RFP		CAD FILE SS73680LN		
				DIST	LB	SIZE A	DRAWING NO. SS73680LN	
						PAGE 1	OF 1	
						REV. 1		

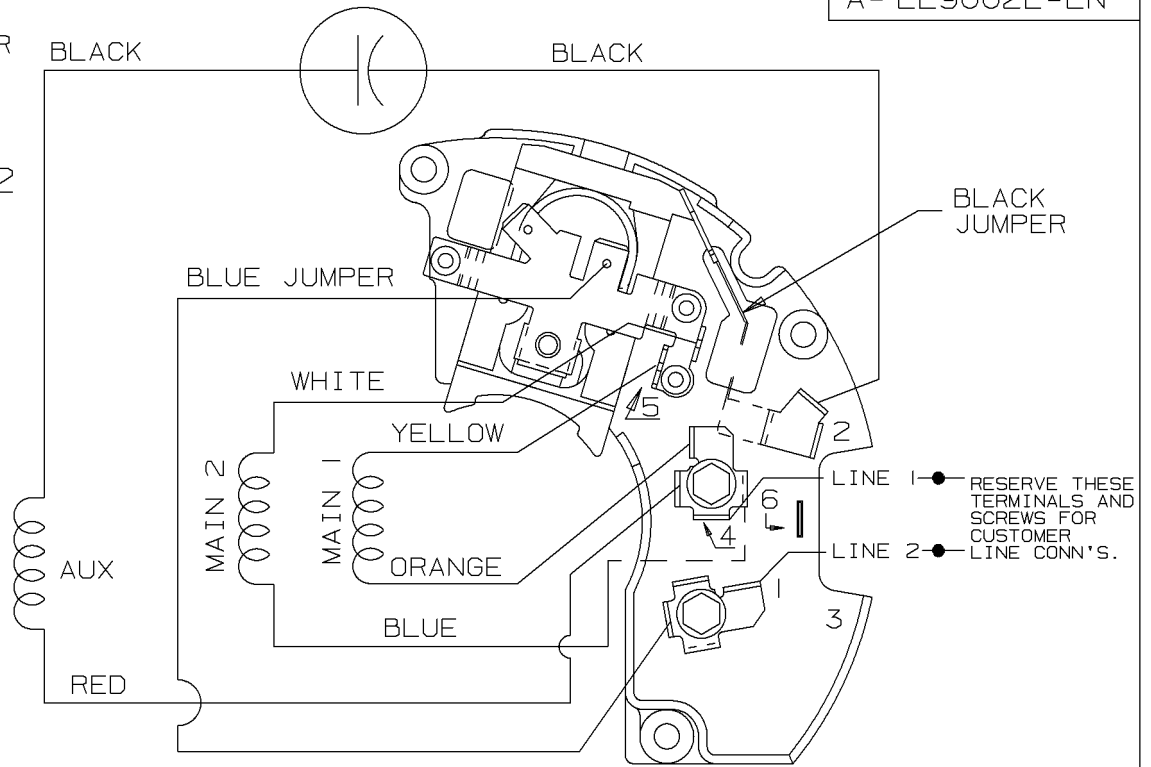
THIS DRAWING IN DESIGN AND DETAIL IS OUR PROPERTY AND MUST NOT BE USED EXCEPT IN CONNECTION WITH OUR WORK ALL RIGHTS OF DESIGN AND INVENTION ARE RESERVED THIS IS AN ELECTRONICALLY GENERATED DOCUMENT - DO NOT SCALE THIS PRINT

5/28/2009 8:30:14 AM



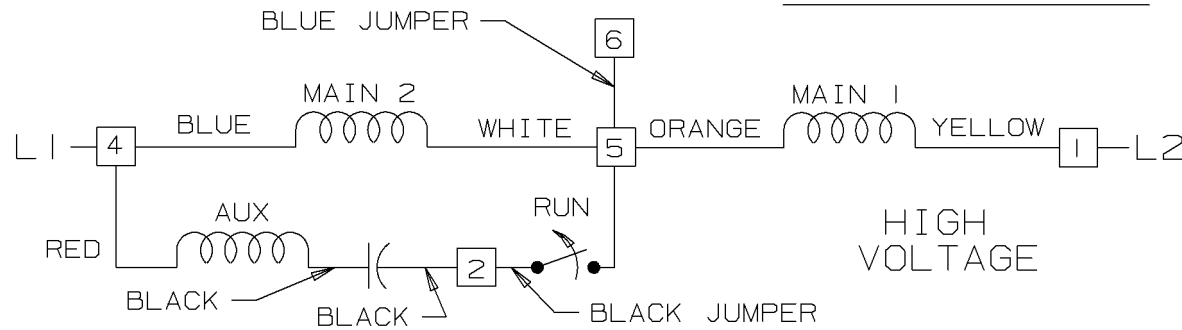
LOW VOLTAGE

DUAL VOLTAGE CAPACITOR START REVERSIBLE ON TERM BOARD NO OVERLOAD PROTECTION



VIEWING TERM END

LOW VOLTAGE CCW ROTATION SHOWN



HIGH VOLTAGE

FOR HIGH VOLTAGE:  
CONNECT BLUE TERM 1 TO TERM 6,  
CONNECT YELLOW TERM 5 TO TERM 1,  
CONNECT ORANGE TERM 4 TO TERM 5.

TO REVERSE ROTATION EITHER VOLTAGE INTERCHANGE RED LEAD WITH BLACK LEAD

					UNLESS OTHERWISE SPECIFIED DIMENSIONS ARE IN INCHES TOL. ON XX±    XXX±.005    XXXX±.0005    ANGLES±			
					MAX. SURFACE ROUGHNESS UNLESS OTHERWISE NOTED		DRAWN BY BLR	10-04-1999
					FINISH		CHKD BY DRS	10-04-1999
	10-04-1999	NEW DRAWING	BLR			APPD BY GK	10-04-1999	
REV	DATE	CHANGE	NAME	PART NAME CONNECTION DIAGRAM 48 FR. DUAL VOLTAGE REVERSIBLE				DRWG NO A- EE9002E-LN
					PURCHASED	CADD FILE NO.	EE9002E-LN	

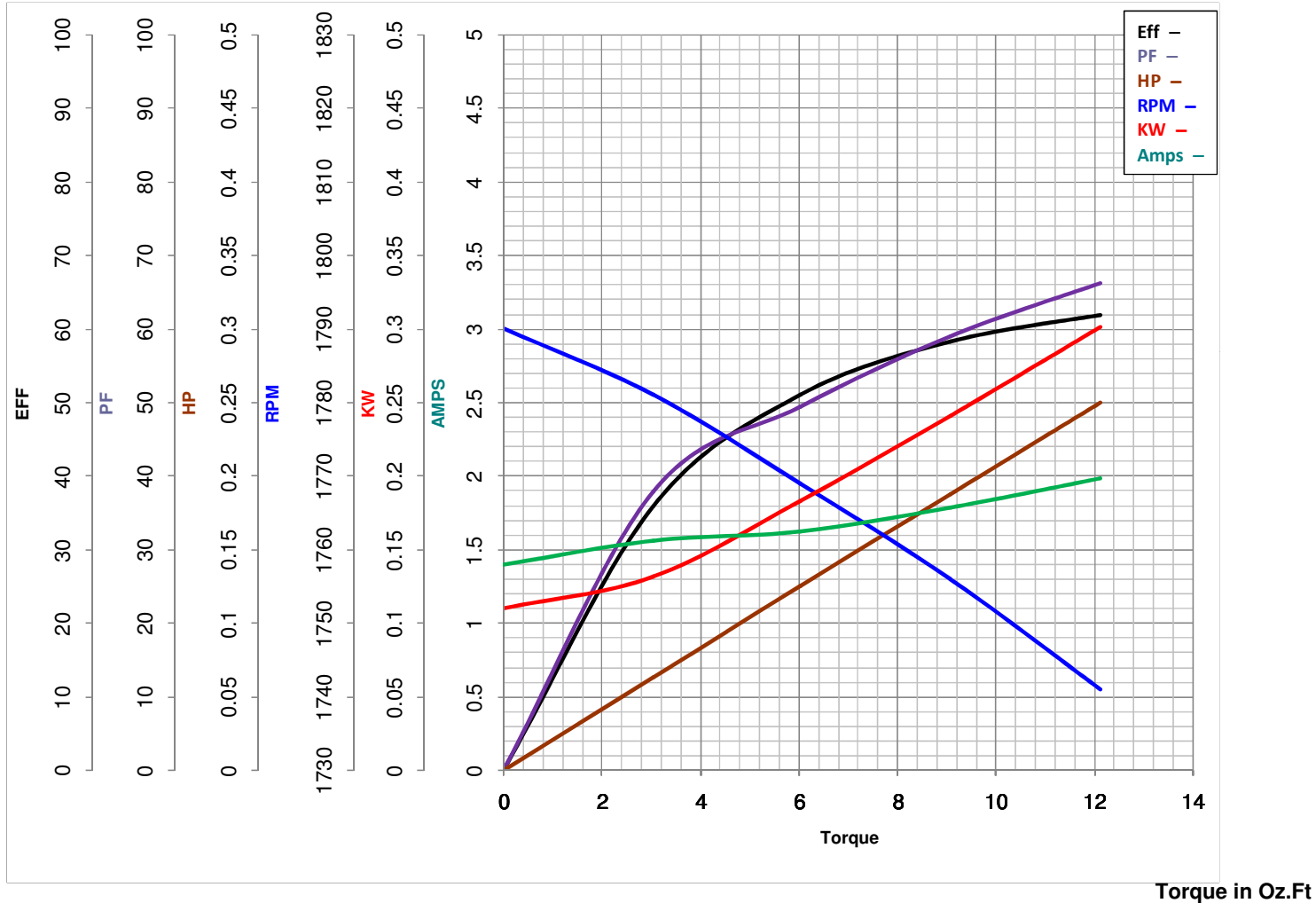


**LEESON ELECTRIC CORPORATION**  
TYPICAL PERFORMANCE CURVE for AC MOTOR

Model No LM24733

Catalog No LM24733B

Curve at 230 Volts      HP 0.25      PHASE 1  
60 HZ  
0.25 HP      VOLTS 115/208-230  
HZ 60      RPM 1725



**FL TORQUE** 12.11 Oz.Ft  
**BD TORQUE** 30.0 Oz.Ft  
**LR TORQUE** 56 Oz.Ft

**FL AMPS** 4.0/2.0-2.0  
**PU TORQUE** 28.7 Oz.Ft  
**LR AMPS** 12

**WINDING** CE48481-3

**Date** 7/16/2018