

PRODUCT INFORMATION PACKET



Model No: SRF2S1TLC1C6028
Catalog No: LM24727
1,3600,TEFC,56C,1/60/115/208-230
Totally Enclosed Fan Cooled (TEFC)



Regal and Leeson are trademarks of Regal Beloit Corporation or one of its affiliated companies.
©2018 Regal Beloit Corporation, All Rights Reserved. MC017097E





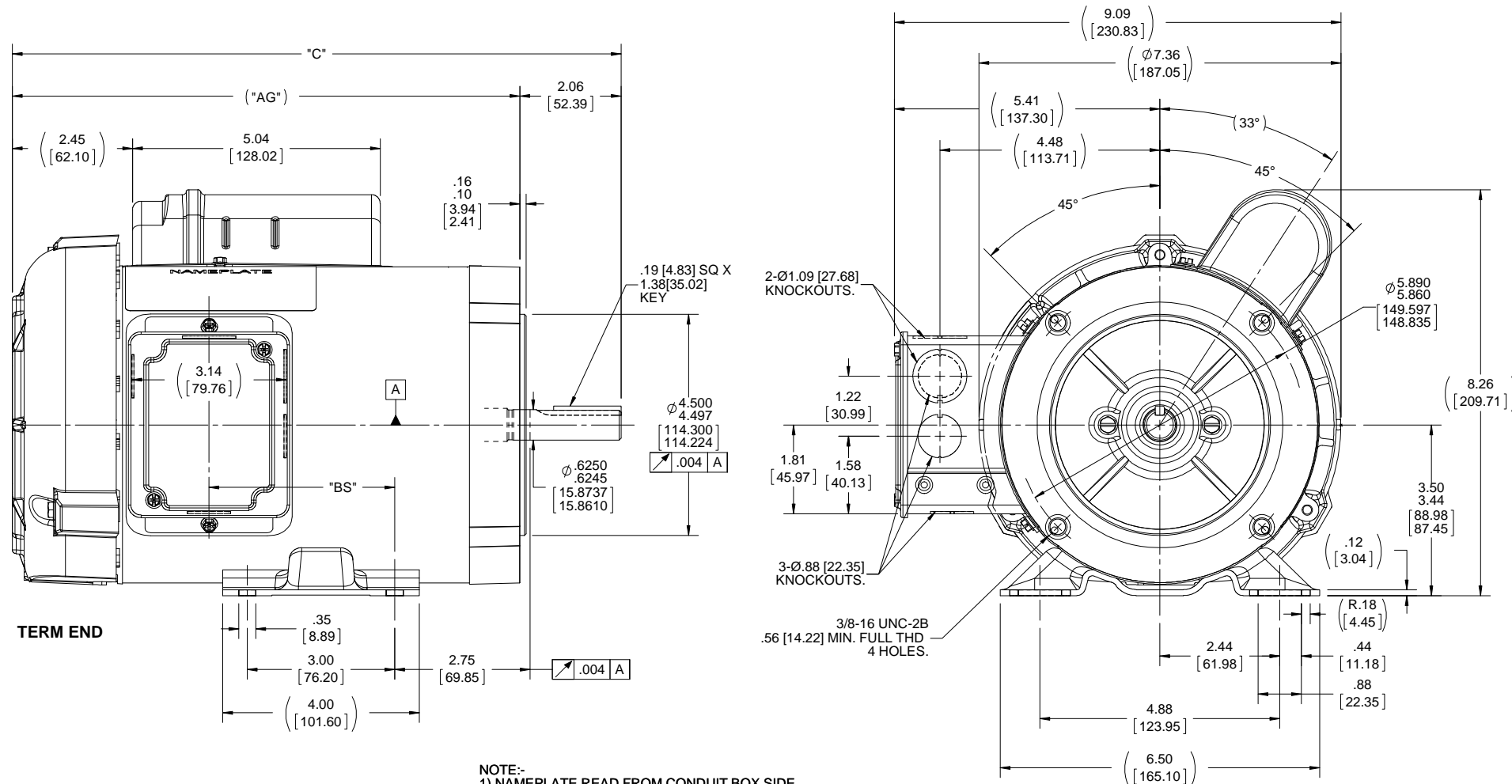
Nameplate Specifications

Output HP	1 Hp	Output KW	0.75 kW
Frequency	60 Hz	Voltage	115/208-230 V
Current	12.4/6.7-6.2 A	Speed	3450 rpm
Service Factor	1.15	Phase	1
Efficiency	72 %	Duty	Continuous
Insulation Class	F	Design Code	N
KVA Code	K	Frame	56Z
Enclosure	Totally Enclosed Fan Cooled	Overload Protector	No
Ambient Temperature	40 °C	Drive End Bearing Size	6203
Opp Drive End Bearing Size	6203	UL	Recognized
CSA	Y	CE	N
IP Code	43		

Technical Specifications

Electrical Type	Capacitor Start Induction Run	Starting Method	Across The Line
Poles	2	Rotation	Selective Counterclockwise
Mounting	Rigid base	Motor Orientation	HORIZONTAL
Drive End Bearing	BALL	Opp Drive End Bearing	BALL
Frame Material	Rolled Steel	Shaft Type	Single Special Extension
Overall Length	12.32 in	Frame Length	7.06 in
Shaft Diameter	0.625 in	Shaft Extension	2.06 in
Assembly/Box Mounting	F1 ONLY		
Outline Drawing	A-108706-706	Connection Diagram	102005-51-LN

This is an uncontrolled document once printed or downloaded and is subject to change without notice. Date Created: 10/15/2018



NOTE:-
 1) NAMEPLATE READ FROM CONDUIT BOX SIDE.
 2) CONDUIT BOX CAN BE ROTATED 180°.

DASH	"C"	"AG"	"BS"
706	12.39[314.70]	10.33[262.38]	3.78 [96.01]

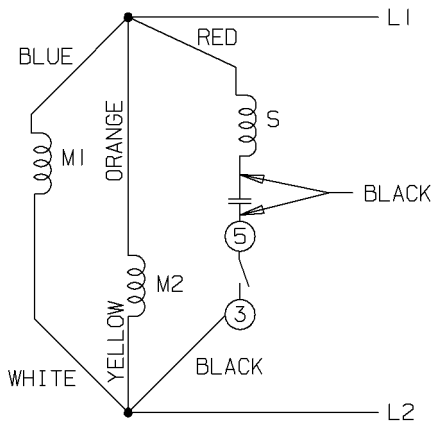
DRAWING REVISION	REVISION BY	DATE
A		
ECO-0152983	APPROVED BY	DATE
ECO DESCRIPTION		
OUTLINE CONVERSION PROJECT		
<small>COPYRIGHT REGAL BELOIT AMERICA, INC. ALL RIGHTS RESERVED. PROPRIETARY AND CONFIDENTIAL INFORMATION - THIS DOCUMENT IS THE PROPERTY OF REGAL BELOIT AMERICA, INC. (OWNER) AND CONTAINS OWNER'S PROPRIETARY INFORMATION. ANY PERSON, CORPORATION OR OTHER FIRM RECEIVING IT IS DEEMED, BY RECEIVING IT, TO AGREE THAT IT, AND/OR ANY PART OF IT, SHALL NOT BE DISCLOSED TO ANY PERSON, CORPORATION OR OTHER ENTITY, DUPLICATED, AND/OR USED, EXCEPT AS EXPRESSLY APPROVED IN WRITING IN ADVANCE BY OWNER. THIS DOCUMENT SHALL BE RETURNED TO OWNER UPON REQUEST. IT MAY BE SUBJECT TO CERTAIN RESTRICTIONS UNDER APPLICABLE EXPORT CONTROL LAWS AND REGULATIONS.</small>		

TOLERANCES UNLESS OTHERWISE SPECIFIED:		
DEC.	INCH	mm
.X	+0.1	[+2.5]
.XX	+0.03	[+0.76]
.XXX	+0.005	[+0.127]
.XXXX	+0.0005	[+0.0127]
REMOVE BURRS & BREAK SHARP EDGES: .003/.015 [0.076/.381] X 45°		
CORNER FILLETS: R.02 [51]		
MACHINED SURFACES: 200 5.1		
mm SHOWN IN [BRACKETS]		

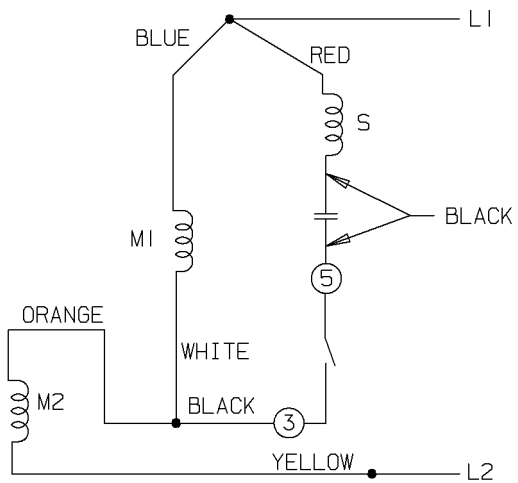
DRAWN BY	A SUPPANAVAR
DATE	05/08/2018
APPROVED BY	JD
DATE	09/19/2018
REFERENCE	100126LN
THIRD ANGLE PROJECTION	

REGAL™ Regal Beloit America, Inc.	
DESCRIPTION	OUTLINE 56 FR.-1øTEFC-C-FACE
MATERIAL	PROCESS/FINISH
SIZE	DRAWING NUMBER
B	108706
	SHEET
	1 OF 1

LOW VOLTAGE - C.C.W.

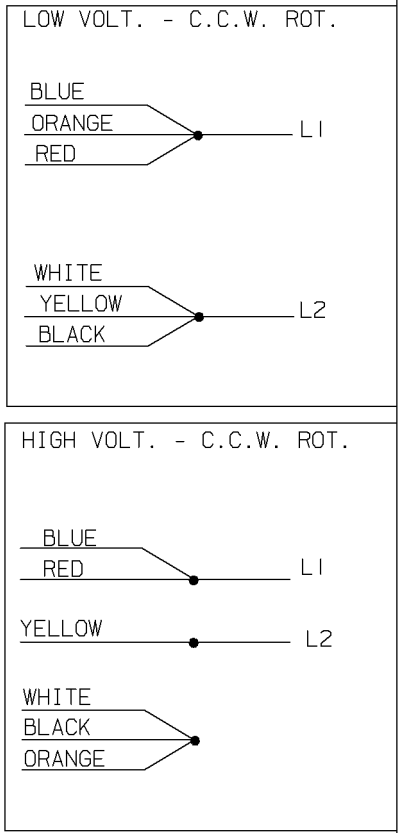
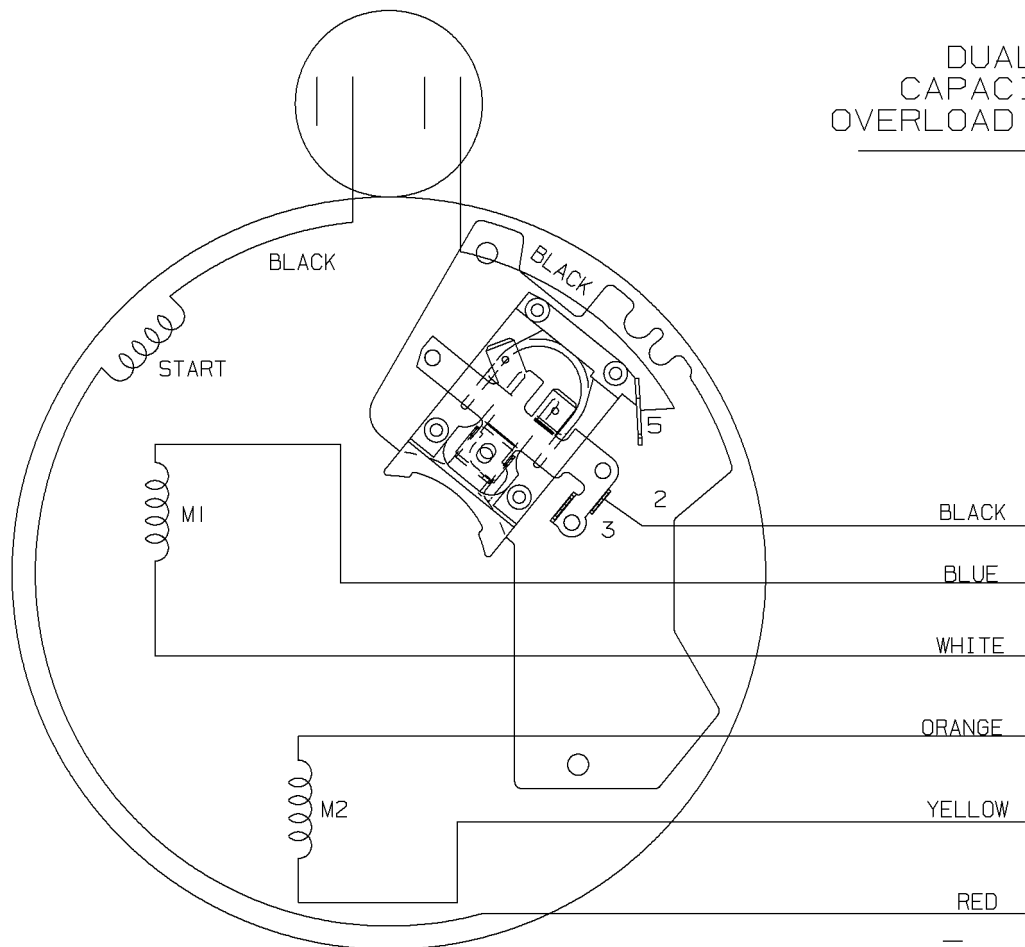


HIGH VOLTAGE - C.C.W.



A-102005-51-LN

DUAL VOLTAGE
CAPACITOR START NO
OVERLOAD SELECT ROTATION



FOR C.W. ROTATION EITHER
VOLTAGE INTERCHANGE
RED WITH BLACK LEAD

2	05-21-2001	ADDED VIEW OF CORD	MU37277	HLB		✓ MAX. SURFACE ROUGHNESS UNLESS OTHERWISE NOTED FINISH MATERIAL	UNLESS OTHERWISE SPECIFIED DIMENSIONS ARE IN INCHES TOL. ON XX±.02 XXX±.005 XXXX±.0005 ANGLES± 7'30"		DRAWN BY	BLR	09-29-1999	
1	09-29-1999	NEW DRAWING		BLR			CHKD BY	DRS	09-29-1999	APPD BY	GK	09-29-1999
REV	DATE	CHANGE	NAME	PART NAME			CONNECTION DIAGRAM			DRWG NO	A-102005-51-LN	

PURCHASED | CADD FILE NO. | 102005-51-LN



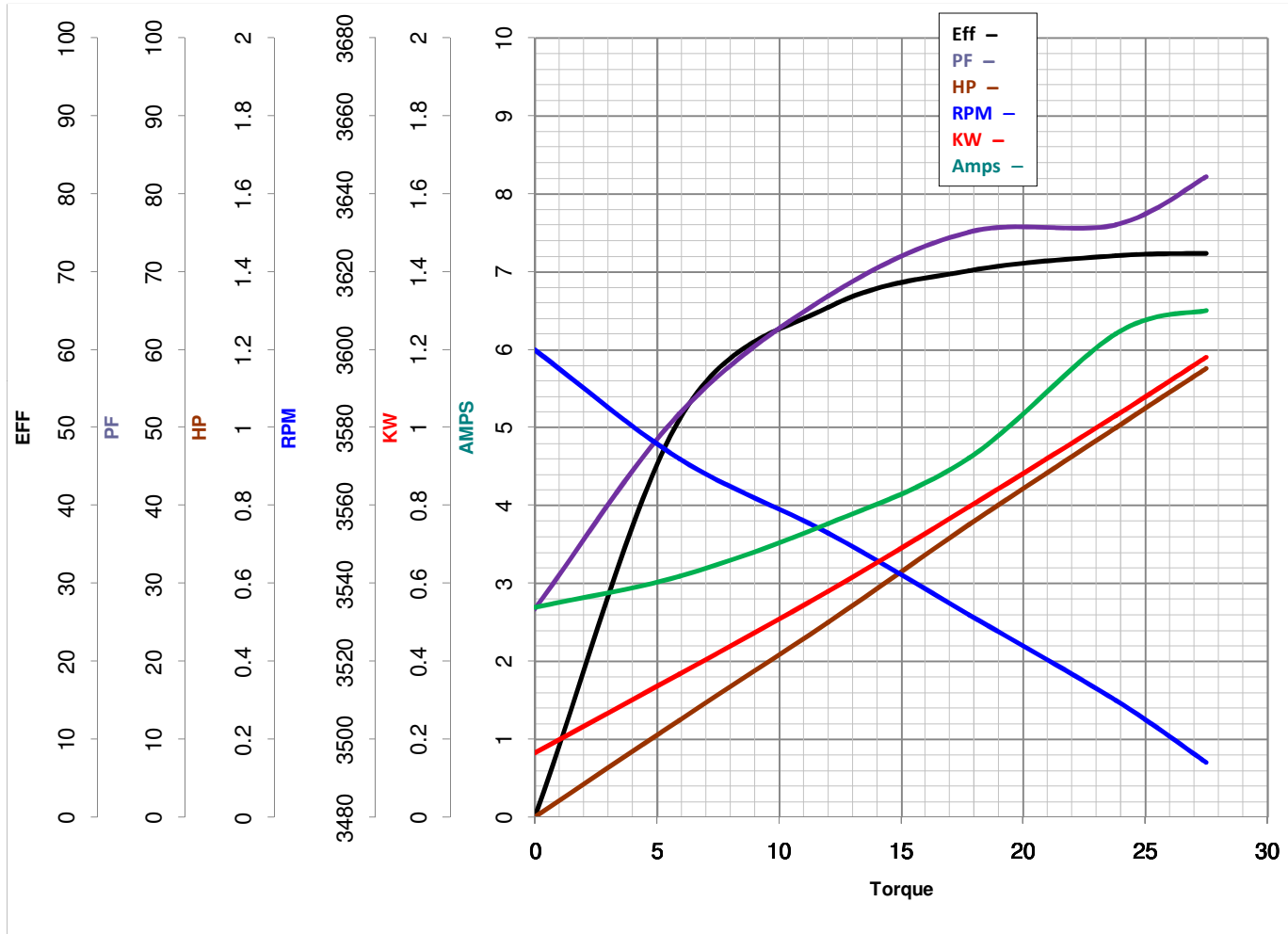
LEESON ELECTRIC CORPORATION
 TYPICAL PERFORMANCE CURVE for AC MOTOR

Model No LM24727

Curve at 230 Volts HP 1.00 PHASE 1
60 HZ
1 HP VOLTS 115/208-230

Catalog No LM24727B

HZ 60 RPM 3450



Torque in Oz.Ft

FL TORQUE 23.8 Oz.Ft
 BD TORQUE 62.8 Oz.Ft
 LR TORQUE 75.4 Oz.Ft

FL AMPS 12.4/6.7-6.2
 PU TORQUE 55.8 Oz.Ft
 LR AMPS 36.9

WINDING ZC223-3

Date 4/11/2018