

PRODUCT INFORMATION PACKET



Model No: SRF2S0.75TLC1C6028
Catalog No: LM24726
3/4,3600,TEFC,56C,1/60/115/208-230
Totally Enclosed Fan Cooled (TEFC)



Regal and Leeson are trademarks of Regal Beloit Corporation or one of its affiliated companies.
©2018 Regal Beloit Corporation, All Rights Reserved. MC017097E





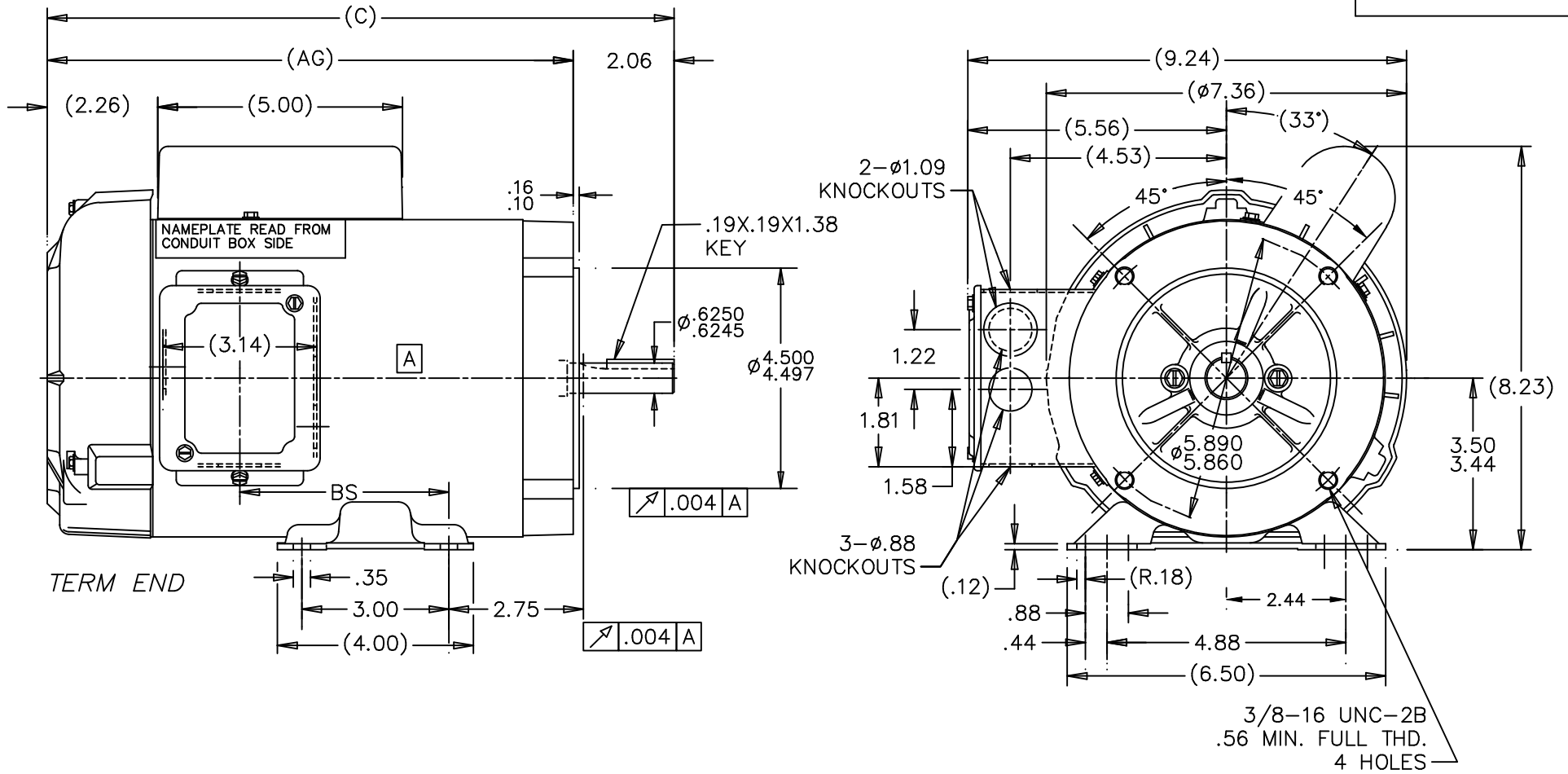
Nameplate Specifications

Output HP	0.75 Hp	Output KW	0.56 kW
Frequency	60 Hz	Voltage	115/208-230 V
Current	10.6/5.3-5.3 A	Speed	3450 rpm
Service Factor	1.15	Phase	1
Efficiency	66 %	Duty	Continuous
Insulation Class	B	Design Code	N
KVA Code	M	Frame	56C
Enclosure	Totally Enclosed Fan Cooled	Overload Protector	No
Ambient Temperature	40 °C	Drive End Bearing Size	6203
Opp Drive End Bearing Size	6203	UL	Recognized
CSA	Y	CE	N
IP Code	43		

Technical Specifications


Electrical Type	Capacitor Start Induction Run	Starting Method	Across The Line
Poles	2	Rotation	Selective Counterclockwise
Mounting	Rigid base	Motor Orientation	HORIZONTAL
Drive End Bearing	BALL	Opp Drive End Bearing	BALL
Frame Material	Rolled Steel	Shaft Type	NEMA 56
Overall Length	12.32 in	Frame Length	7.06 in
Shaft Diameter	0.625 in	Shaft Extension	2.06 in
Assembly/Box Mounting	F1 ONLY		
Outline Drawing	A-100126LN-706	Connection Diagram	102005-51-LN

This is an uncontrolled document once printed or downloaded and is subject to change without notice. Date Created: 10/15/2018



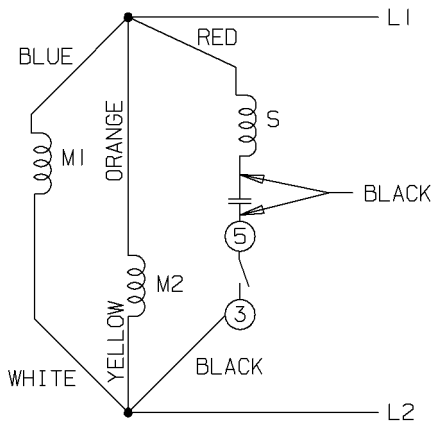
DASH	FR.	C	AG	BS
656	56-65	11.82	9.75	3.25
706	56-70	12.32	10.25	3.75
756	56-75	12.82	10.75	4.25

NOTE:
CONDUIT BOX CAN BE ROTATED 180°

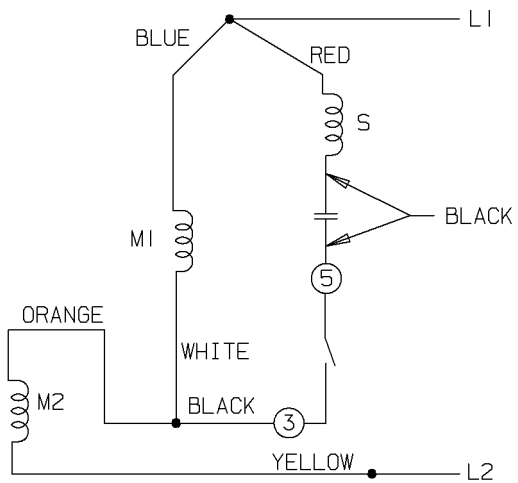
		TOLERANCES UNLESS SPECIFIED				DRAWN TJB 11-29-1999	
		DEC.	INCHES			CHK ML 11-29-1999	
		.X	±.1			APPD GK 11-29-1999	
		.XX	±.03			SCALE 5=16	
			.XXX	±.005	TITLE OUTLINE		REF
1	NEW DRAWING	TJB 11-29-1999	.XXXX	±.0005	56 FR. - 1ø TEFC - C-FACE		FMF
NO.	REVISION	BY & DATE	CHK	ANG	FINISH		PREV
			RFP		CAD FILE 100126LN	SIZE A	DRAWING NO. 100126LN
			DIST PR			PAGE OF	REV. 1

THIS DRAWING IN DESIGN AND DETAIL IS OUR PROPERTY AND MUST NOT BE USED EXCEPT IN CONNECTION WITH OUR WORK ALL RIGHTS OF DESIGN AND INVENTION ARE RESERVED THIS IS AN ELECTRONICALLY GENERATED DOCUMENT - DO NOT SCALE THIS PRINT

LOW VOLTAGE - C.C.W.

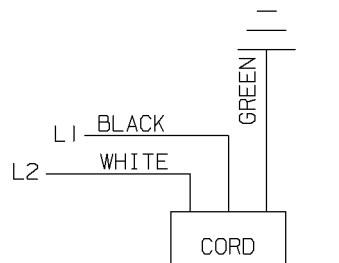
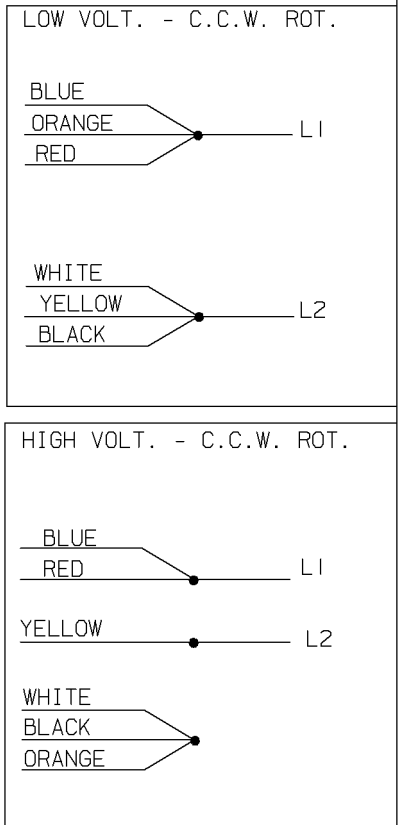
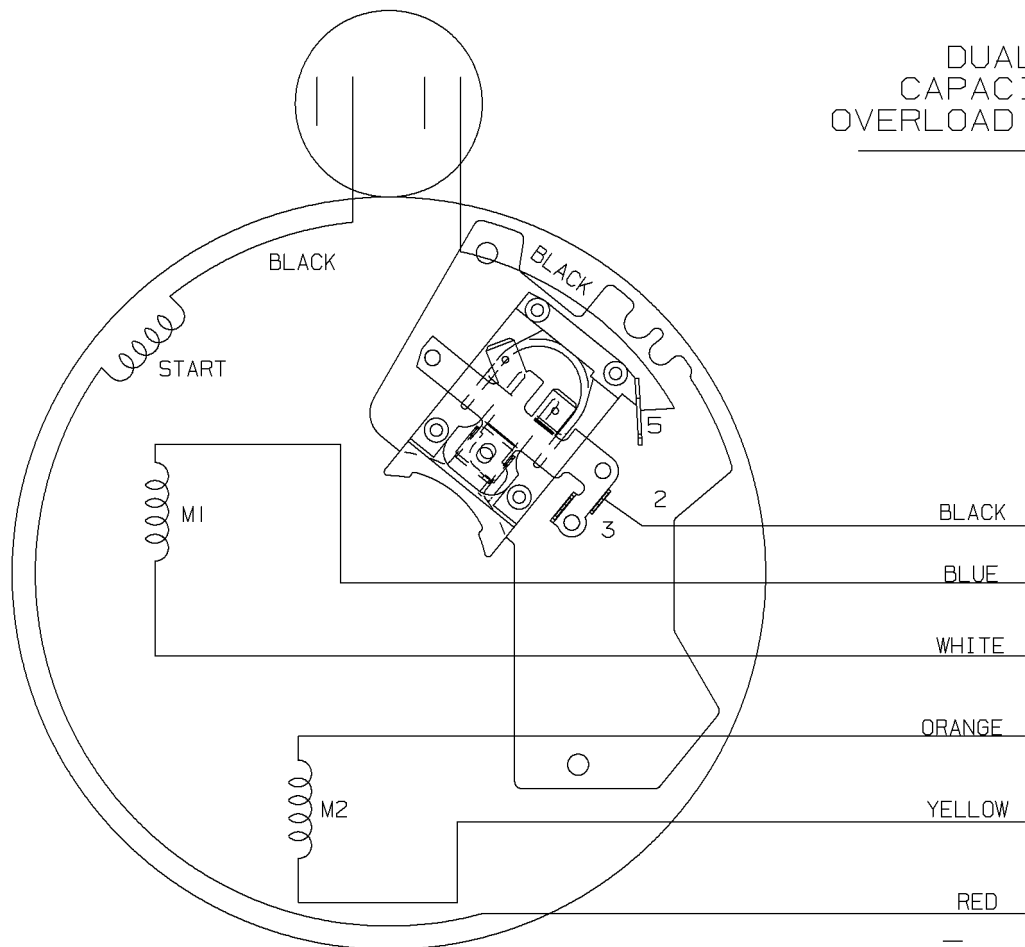


HIGH VOLTAGE - C.C.W.



A-102005-51-LN

DUAL VOLTAGE
CAPACITOR START NO
OVERLOAD SELECT ROTATION



FOR C.W. ROTATION EITHER
VOLTAGE INTERCHANGE
RED WITH BLACK LEAD

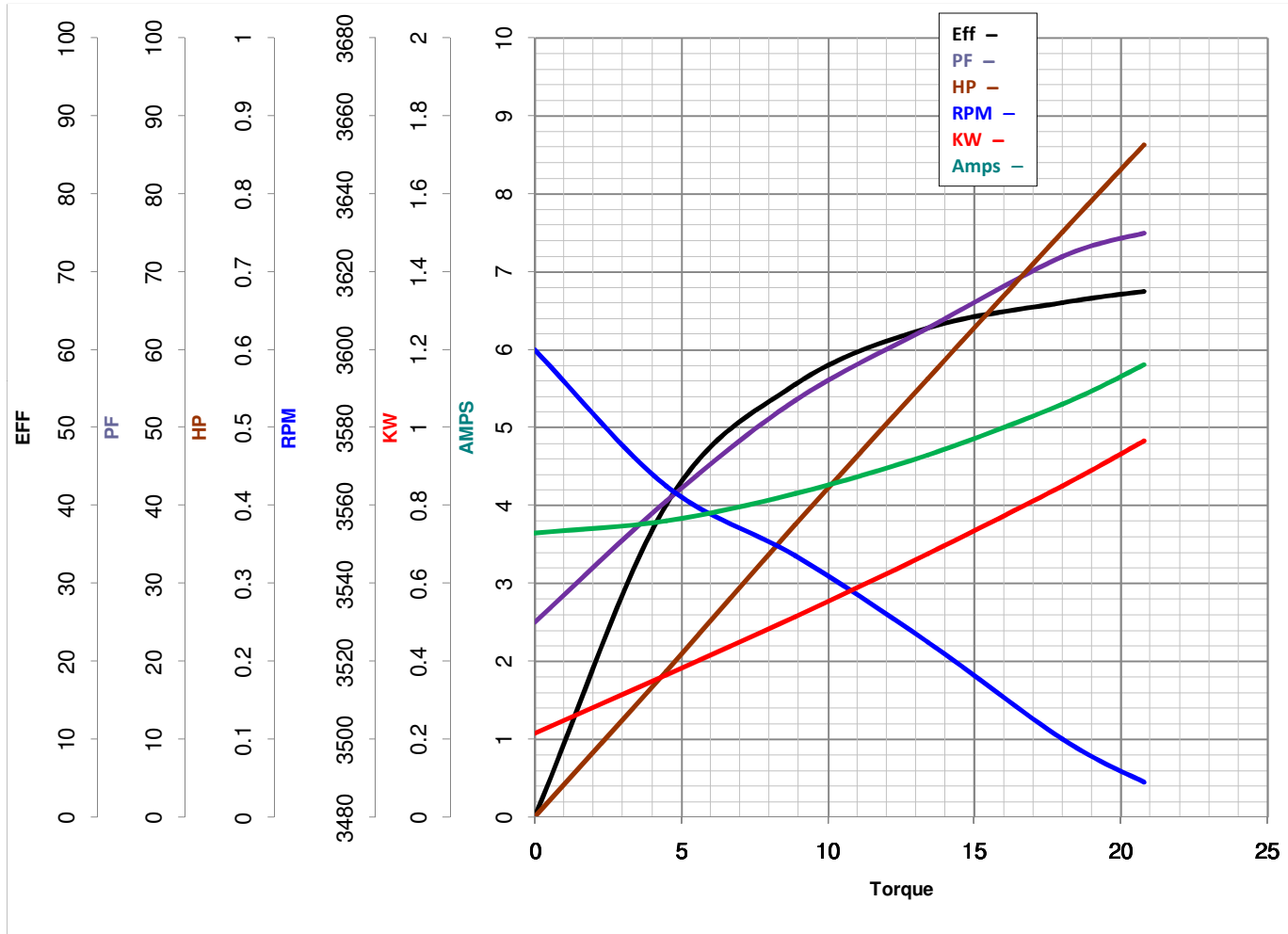
2	05-21-2001	ADDED VIEW OF CORD	MU37277	HLB		✓ MAX. SURFACE ROUGHNESS UNLESS OTHERWISE NOTED FINISH MATERIAL	UNLESS OTHERWISE SPECIFIED DIMENSIONS ARE IN INCHES TOL. ON XX±.02 XXX±.005 XXXX±.0005 ANGLES± 7'30"		DRAWN BY	BLR	09-29-1999	
1	09-29-1999	NEW DRAWING		BLR			CHKD BY	DRS	09-29-1999	APPD BY	GK	09-29-1999
REV	DATE	CHANGE	NAME	PART NAME			CONNECTION DIAGRAM			DRWG NO	A-102005-51-LN	

PURCHASED | CADD FILE NO. | 102005-51-LN



LEESON ELECTRIC CORPORATION
TYPICAL PERFORMANCE CURVE for AC MOTOR

Curve at 230 Volts HP 0.76 PHASE 1
60 HZ
0.75 HP VOLTS 115/208-230
Catalog No LM24726D HZ 60 RPM 3450



Torque in Oz.Ft

FL TORQUE 18 Oz.Ft
BD TORQUE 54.1 Oz.Ft
LR TORQUE 59.6 Oz.Ft

FL AMPS 10.6/5.3-5.3
PU TORQUE 48.6 Oz.Ft
LR AMPS 34.7

WINDING ZC204-3

Date 4/23/2018