

PRODUCT INFORMATION PACKET



Model No: SRF2S0.5TLC1C6028
Catalog No: LM24725
1/2,3450,TEFC,56C,1/60/115/208-230
Totally Enclosed Fan Cooled (TEFC)



Regal and Leeson are trademarks of Regal Beloit Corporation or one of its affiliated companies.
©2018 Regal Beloit Corporation, All Rights Reserved. MC017097E





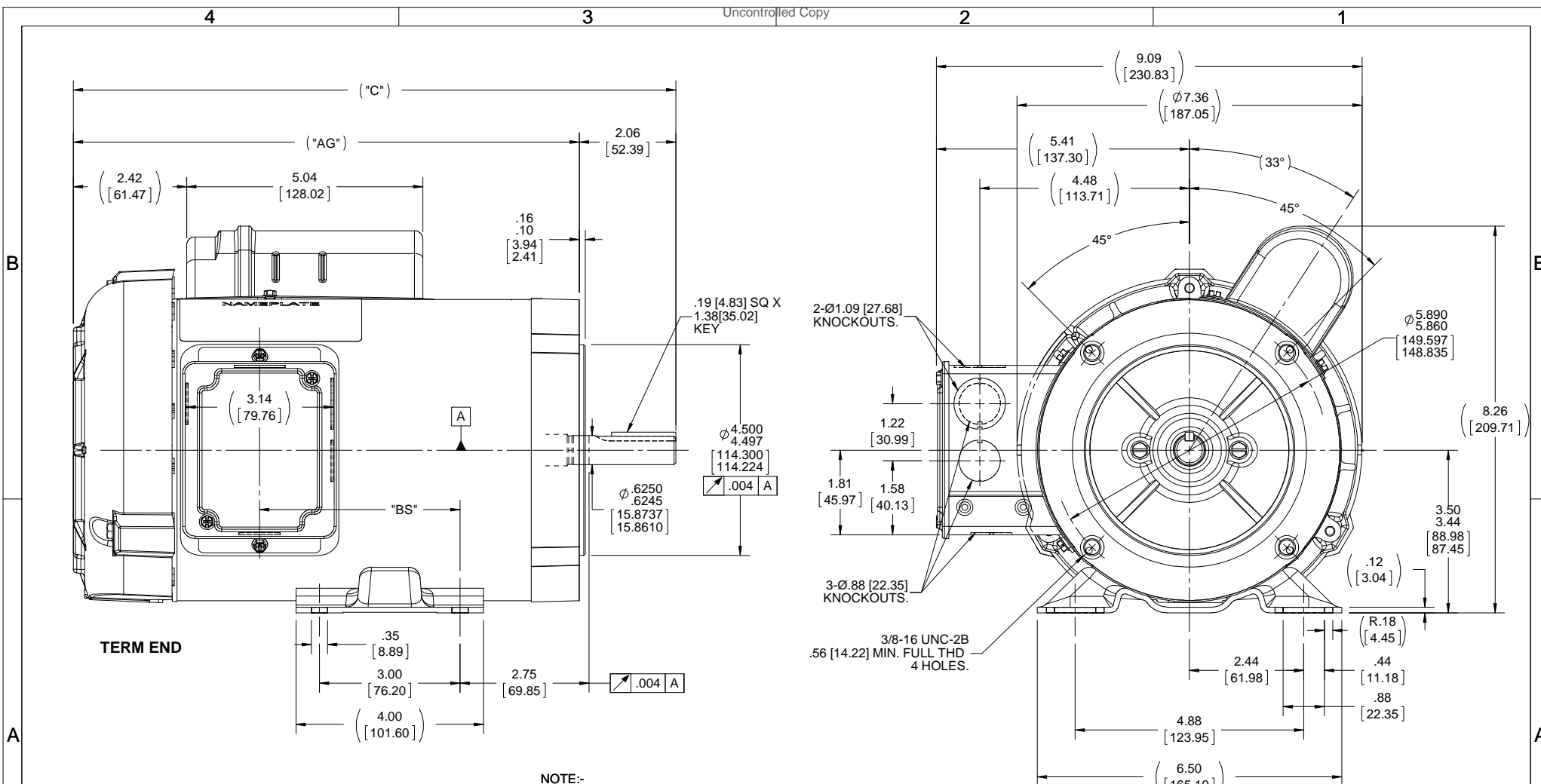
Nameplate Specifications

Output HP	0.50 Hp	Output KW	0.37 kW
Frequency	60 Hz	Voltage	115/208-230 V
Current	8.4/4.0-4.2 A	Speed	3450 rpm
Service Factor	1.15	Phase	1
Efficiency	59.5 %	Duty	Continuous
Insulation Class	B	Design Code	N
KVA Code	N	Frame	56C
Enclosure	Totally Enclosed Fan Cooled	Overload Protector	No
Ambient Temperature	40 °C	Drive End Bearing Size	203
Opp Drive End Bearing Size	203	UL	Recognized
CSA	Y	CE	N
IP Code	43		

Technical Specifications

Electrical Type	Capacitor Start Induction Run	Starting Method	Across The Line
Poles	2	Rotation	Selective Counterclockwise
Mounting	Rigid base	Motor Orientation	HORIZONTAL
Drive End Bearing	BALL	Opp Drive End Bearing	BALL
Frame Material	Rolled Steel	Shaft Type	NEMA 56
Overall Length	11.82 in	Frame Length	6.56 in
Shaft Diameter	0.625 in	Shaft Extension	1.88 in
Assembly/Box Mounting	F1 ONLY		
Outline Drawing	A-100126LN-656	Connection Diagram	A-102005-51-LN

This is an uncontrolled document once printed or downloaded and is subject to change without notice. Date Created: 10/15/2018



NOTE:-
 1) NAMEPLATE READ FROM CONDUIT BOX SIDE.
 2) CONDUIT BOX CAN BE ROTATED 180°.

DASH	"C"	"AG"	"BS"
656	11.86 [301.24]	9.80 [248.92]	3.28 [83.31]
706	12.36 [313.94]	10.30 [261.62]	3.78 [96.01]
756	12.86 [326.64]	10.80 [274.32]	4.28 [108.71]

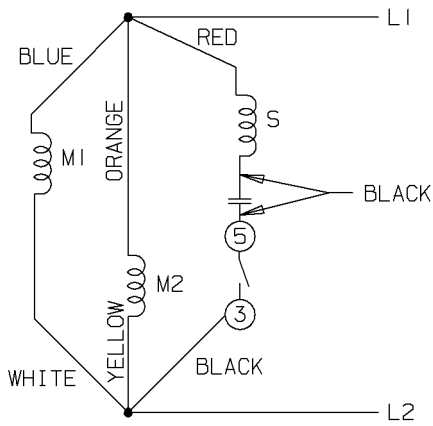
DRAWING REVISION D	REVISION BY A.SUPPANAVAR	DATE 05/08/2018
ECO ECO-0152983	APPROVED BY JD	DATE 09/19/2018
ECO DESCRIPTION OUTLINE CONVERSION PROJECT		
<small>COPYRIGHT REGAL BELOIT AMERICA, INC. ALL RIGHTS RESERVED. PROPRIETARY AND CONFIDENTIAL INFORMATION - THIS DOCUMENT IS THE PROPERTY OF REGAL BELOIT AMERICA, INC. (OWNER) AND CONTAINS OWNER'S PROPRIETARY INFORMATION. ANY PERSON, CORPORATION OR OTHER FIRM RECEIVING IT IS DEEMED, BY RECEIVING IT, TO AGREE THAT IT, AND/OR ANY PART OF IT, SHALL NOT BE DISCLOSED TO ANY PERSON, CORPORATION OR OTHER ENTITY, DUPLICATED, AND/OR USED, EXCEPT AS EXPRESSLY APPROVED IN WRITING IN ADVANCE BY OWNER. THIS DOCUMENT SHALL BE RETURNED TO OWNER UPON REQUEST. IT MAY BE SUBJECT TO CERTAIN RESTRICTIONS UNDER APPLICABLE EXPORT CONTROL LAWS AND REGULATIONS.</small>		

TOLERANCES UNLESS OTHERWISE SPECIFIED:		
DEC.	INCH	mm
.X	+0.1	[+2.5]
.XX	+0.03	[+0.76]
.XXX	+0.005	[+0.127]
.XXXX	+0.0005	[+0.0127]
REMOVE BURRS & BREAK SHARP EDGES: .003/.015 [0.076/.381] X 45°		
CORNER FILLETS: R.02 [51]		
MACHINED SURFACES: 200 $\sqrt{5.1}$		
mm SHOWN IN [BRACKETS]		

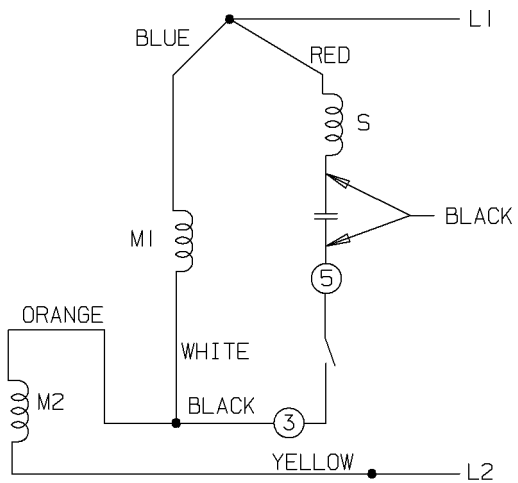
DRAWN BY TJB	DATE 11-29-1999
APPROVED BY GK	DATE 11-29-1999
REFERENCE 100126LN	THIRD ANGLE PROJECTION

Regal Beloit America, Inc.	
DESCRIPTION OUTLINE 56 FR.-1#TEFC-C-FACE	
MATERIAL	PROCESS/FINISH
SIZE B	DRAWING NUMBER 100126LN
SHEET 1 OF 1	

LOW VOLTAGE - C.C.W.

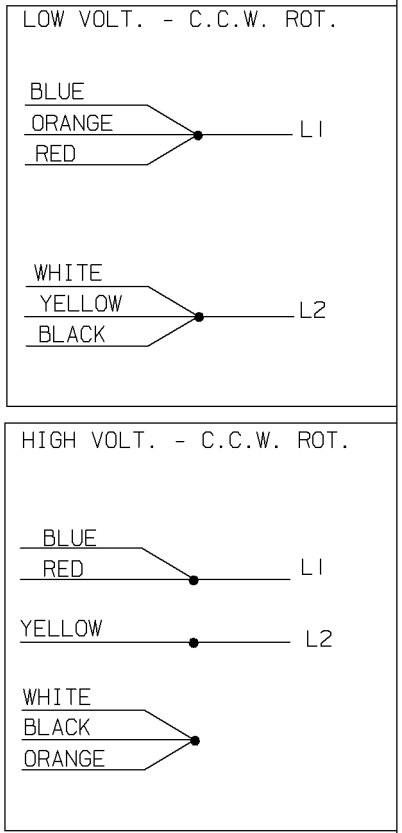
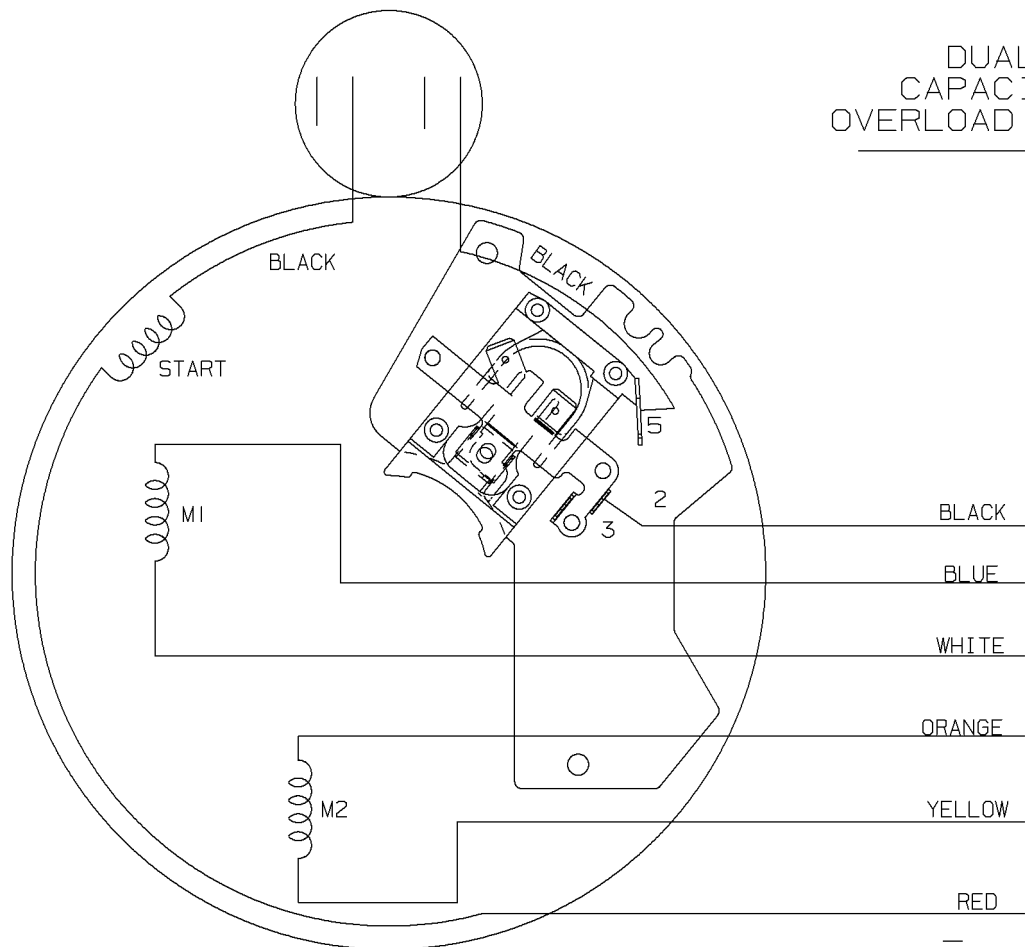


HIGH VOLTAGE - C.C.W.



A-102005-51-LN

DUAL VOLTAGE
CAPACITOR START NO
OVERLOAD SELECT ROTATION



FOR C.W. ROTATION EITHER
VOLTAGE INTERCHANGE
RED WITH BLACK LEAD

2	05-21-2001	ADDED VIEW OF CORD	MU37277	HLB
1	09-29-1999	NEW DRAWING		BLR
REV	DATE	CHANGE		NAME

Lincoln
MOTORS

UNLESS OTHERWISE SPECIFIED DIMENSIONS ARE IN INCHES
TOL. ON XX±.02 XXX±.005 XXXX±.0005 ANGLES± 7'30"

MAX. SURFACE ROUGHNESS UNLESS OTHERWISE NOTED	DRAWN BY	BLR	09-29-1999
FINISH	CHKD BY	DRS	09-29-1999
MATERIAL	APPD BY	GK	09-29-1999

PART NAME CONNECTION DIAGRAM

DRWG NO
A-102005-51-LN



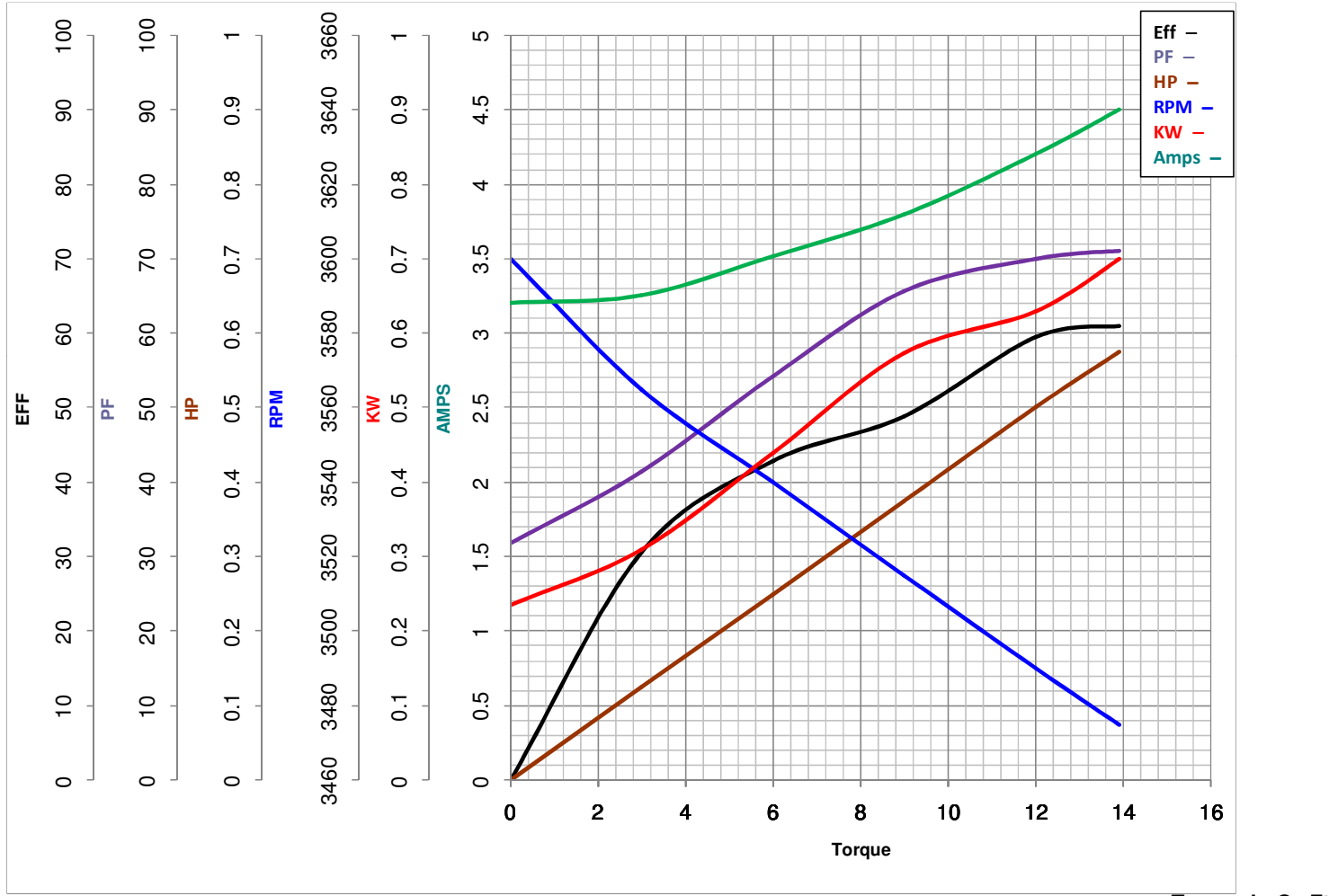
LEESON ELECTRIC CORPORATION
 TYPICAL PERFORMANCE CURVE for AC MOTOR

Model No LM24725

Catalog No LM24725E

Curve at 230 Volts HP 0.50 PHASE 1
60 HZ
0.5 HP VOLTS 115/208-230

HZ 60 RPM 3450



FL TORQUE	<u>12</u>	Oz.Ft	FL AMPS	<u>8.4/4-4.2</u>	
BD TORQUE	<u>35.5</u>	Oz.Ft	PU TORQUE	<u>32.0</u>	Oz.Ft
LR TORQUE	<u>45</u>	Oz.Ft	LR AMPS	<u>24.5</u>	
WINDING	ZC280-3		Date	<u>3/26/2018</u>	