

# PRODUCT INFORMATION PACKET



Model No: SRF4S0.25TLC1C6028

Catalog No: LM24723

..1/4..1800.S56C.TEFC.115/208-230.1.60...1.15..SRF4S0.25TLC1C6028.....

Totally Enclosed Fan Cooled (TEFC)



Regal and Leeson are trademarks of Regal Beloit Corporation or one of its affiliated companies.

©2018 Regal Beloit Corporation, All Rights Reserved. MC017097E





### Nameplate Specifications

Output HP	<b>0.25 Hp</b>	Output KW	<b>0.19 kW</b>
Frequency	<b>60 Hz</b>	Voltage	<b>115/208-230 V</b>
Current	<b>4.0/2.0-2.0 A</b>	Speed	<b>1725 rpm</b>
Service Factor	<b>1.15</b>	Phase	<b>1</b>
Efficiency	<b>62 %</b>	Duty	<b>Continuous</b>
Insulation Class	<b>B</b>	Design Code	<b>NO DESIGN CODE</b>
KVA Code	<b>M</b>	Frame	<b>S56C</b>
Enclosure	<b>Totally Enclosed Fan Cooled</b>	Overload Protector	<b>No</b>
Ambient Temperature	<b>40 °C</b>	Drive End Bearing Size	<b>6203</b>
Opp Drive End Bearing Size	<b>6203</b>	UL	<b>Recognized</b>
CSA	<b>Y</b>	CE	<b>N</b>
IP Code	<b>43</b>		

### Technical Specifications

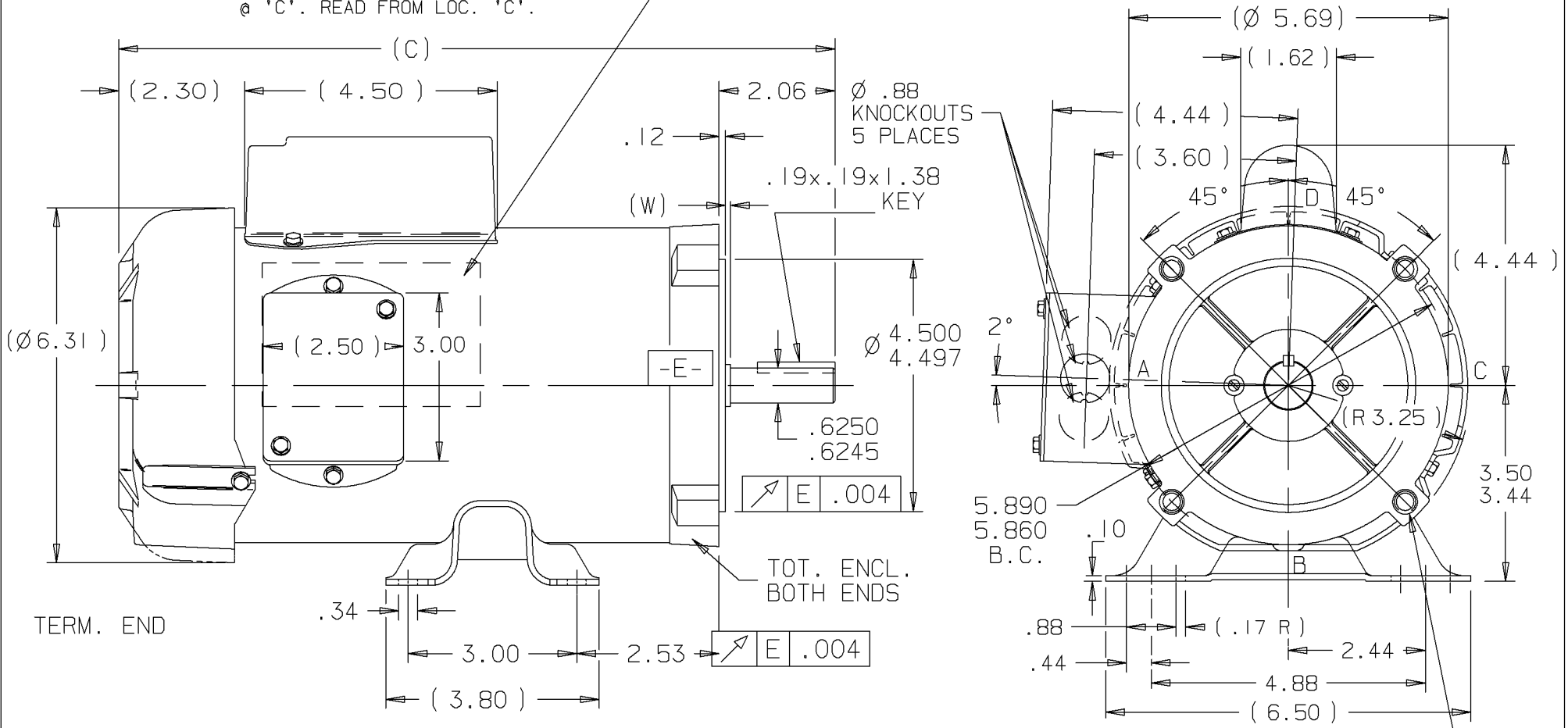
Electrical Type	<b>Capacitor Start Induction Run</b>	Starting Method	<b>Across The Line</b>
Poles	<b>4</b>	Rotation	<b>Selective Counterclockwise</b>
Mounting	<b>Rigid base</b>	Motor Orientation	<b>HORIZONTAL</b>
Drive End Bearing	<b>BALL</b>	Opp Drive End Bearing	<b>BALL</b>
Frame Material	<b>Rolled Steel</b>	Shaft Type	<b>Single Special Extension</b>
Overall Length	<b>10.19 in</b>	Frame Length	<b>5.25 in</b>
Shaft Diameter	<b>0.625 in</b>	Shaft Extension	<b>1.88 in</b>
Assembly/Box Mounting	<b>F1 ONLY</b>		
Outline Drawing	<b>A-SS75181LN-525</b>	Connection Diagram	<b>A-EE9023D-LN</b>

**This is an uncontrolled document once printed or downloaded and is subject to change without notice. Date Created: 10/15/2018**

NAMEPLATE LOC. .25" BELOW  
CAPACITOR, .50" FROM EDGE OF FRAME  
@ 'C'. READ FROM LOC. 'C'.

'W' = CLEARANCE ALLOWED FOR ALL VARIANCES  
IN MANUFACTURING & ASSEMBLY

A-SS75181LN

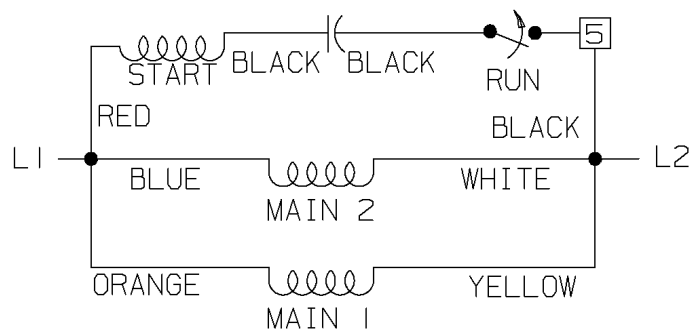


DASH		C		DASH		C	
525		10.19		625		11.19	
550		10.44					
575		10.69					

						UNLESS OTHERWISE SPECIFIED DIMENSIONS ARE IN INCHES TOL. ON XX±.02 XXX±.005 XXXX±.0005 ANGLES± 7'30"				
						MAX. SURFACE ROUGHNESS UNLESS OTHERWISE NOTED		DRAWN BY TJB 11-29-1999		
						FINISH		CHKD BY ML 11-29-1999		
						MATERIAL		APPD BY GK 11-29-1999		
REV	DATE	CHANGE		NAME		PART NAME OUTLINE			DRWG NO A-SS75181LN	
						PURCHASED			CADD FILE NO. SS75181LN	

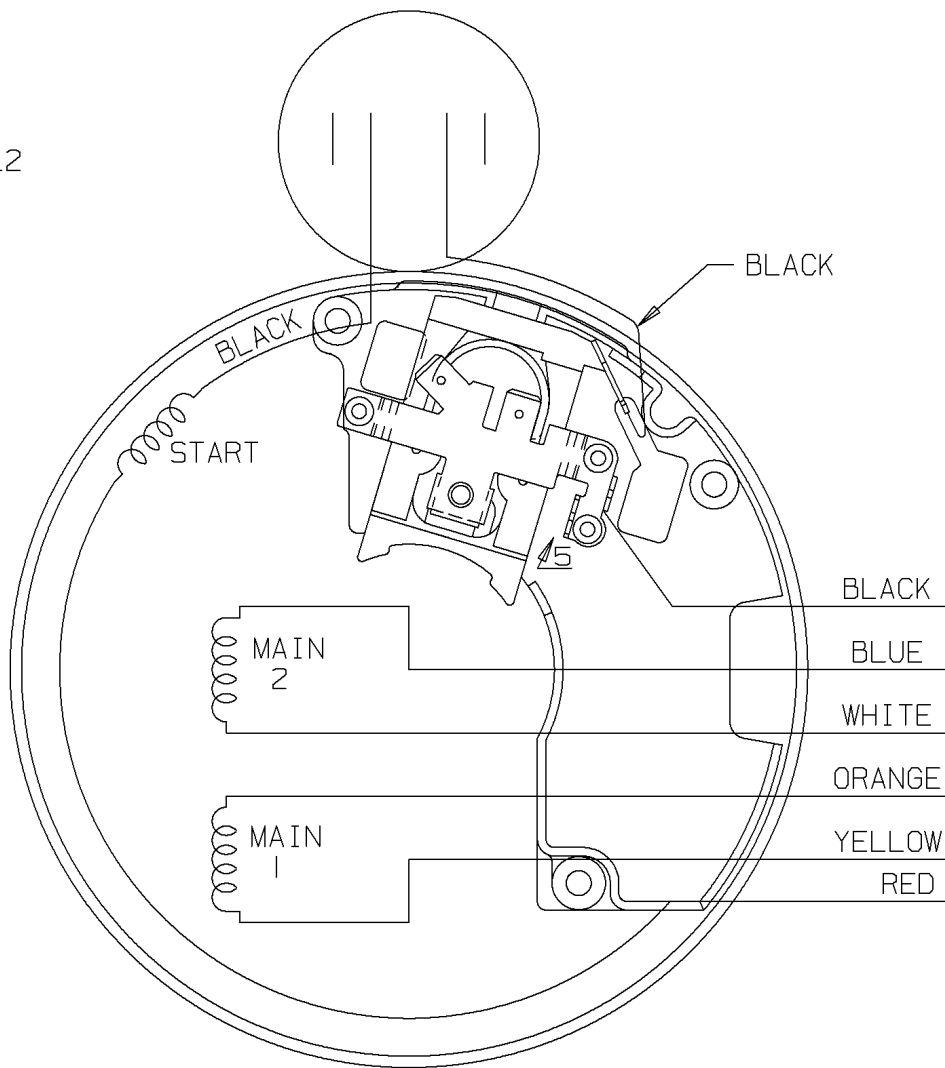
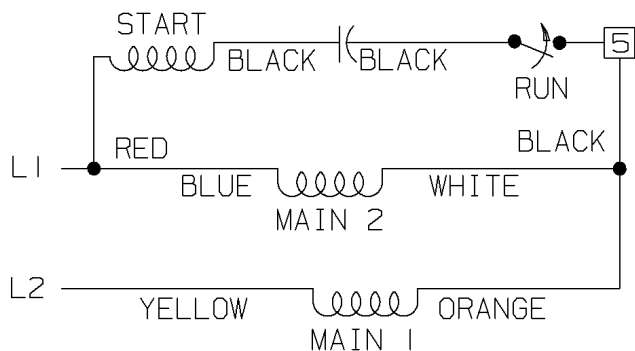
A- EE9023D

LOW VOLTAGE C.C.W.



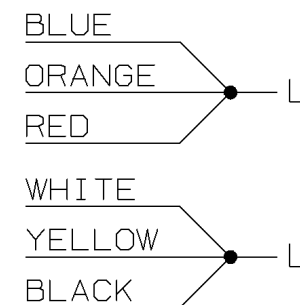
START

HIGH VOLTAGE C.C.W.

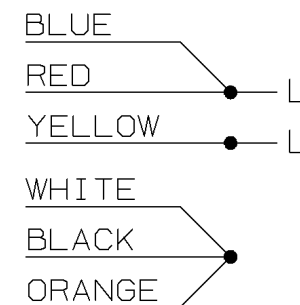


DUAL VOLTAGE  
CAPACITOR ST.  
NO OVERLOAD  
SELECT ROTAT

LOW VOLT. CCW



HIGH VOLT. CCW



FOR CW ROT. EIT  
VOLTAGE INTERCH  
RED WITH BLACK

A-S4AF4



✓ MAX. SURFACE ROUGHNESS UNLESS OTHERWISE NOTED FINISH MATERIAL	UNLESS OTHERWISE SPECIFIED DIMENSIONS ARE IN INCHES TOL. ON XX± .02    XXX± .005    XXXX± .0005    ANGLES±		
	DRAWN BY TJB	11-	
	CHKD BY ML	11-	
	APPD BY GK	11-	

NEW DRAWING

TJB

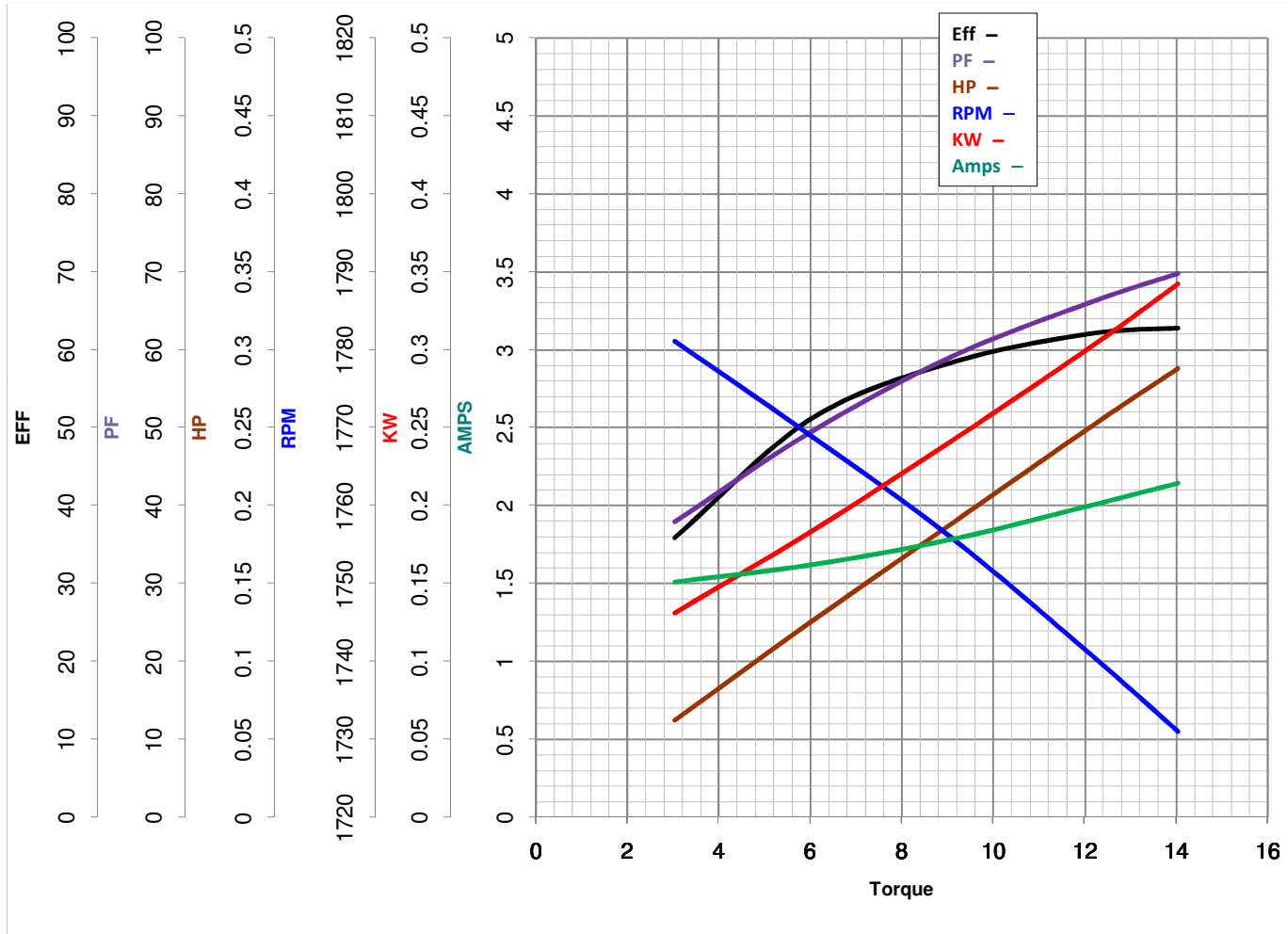


**LEESON ELECTRIC CORPORATION**  
TYPICAL PERFORMANCE CURVE for AC MOTOR

Model No LM24723

Catalog No LM24723A

Curve at 230 Volts      HP 0.26      PHASE 1  
60 HZ  
0.25 HP      VOLTS 115/208-230  
                                 HZ 60      RPM 1725



Torque in Oz.Ft

FL TORQUE 12.11 Oz.Ft  
 BD TORQUE 30.0 Oz.Ft  
 LR TORQUE 59 Oz.Ft

FL AMPS 4.0/2.0-2.0  
 PU TORQUE 30.6 Oz.Ft  
 LR AMPS 12.1

WINDING CE48481-3

Date 3/21/2018