

# PRODUCT INFORMATION PACKET



Model No: SSF4S1.5T1B6028

Catalog No: LM24711

1 1/2..1800.145T.TEFC.115/208-230.1.60....1.15...SSF4S1.5T1B6028

Totally Enclosed Fan Cooled (TEFC)



Regal and Leeson are trademarks of Regal Beloit Corporation or one of its affiliated companies.

©2018 Regal Beloit Corporation, All Rights Reserved. MC017097E





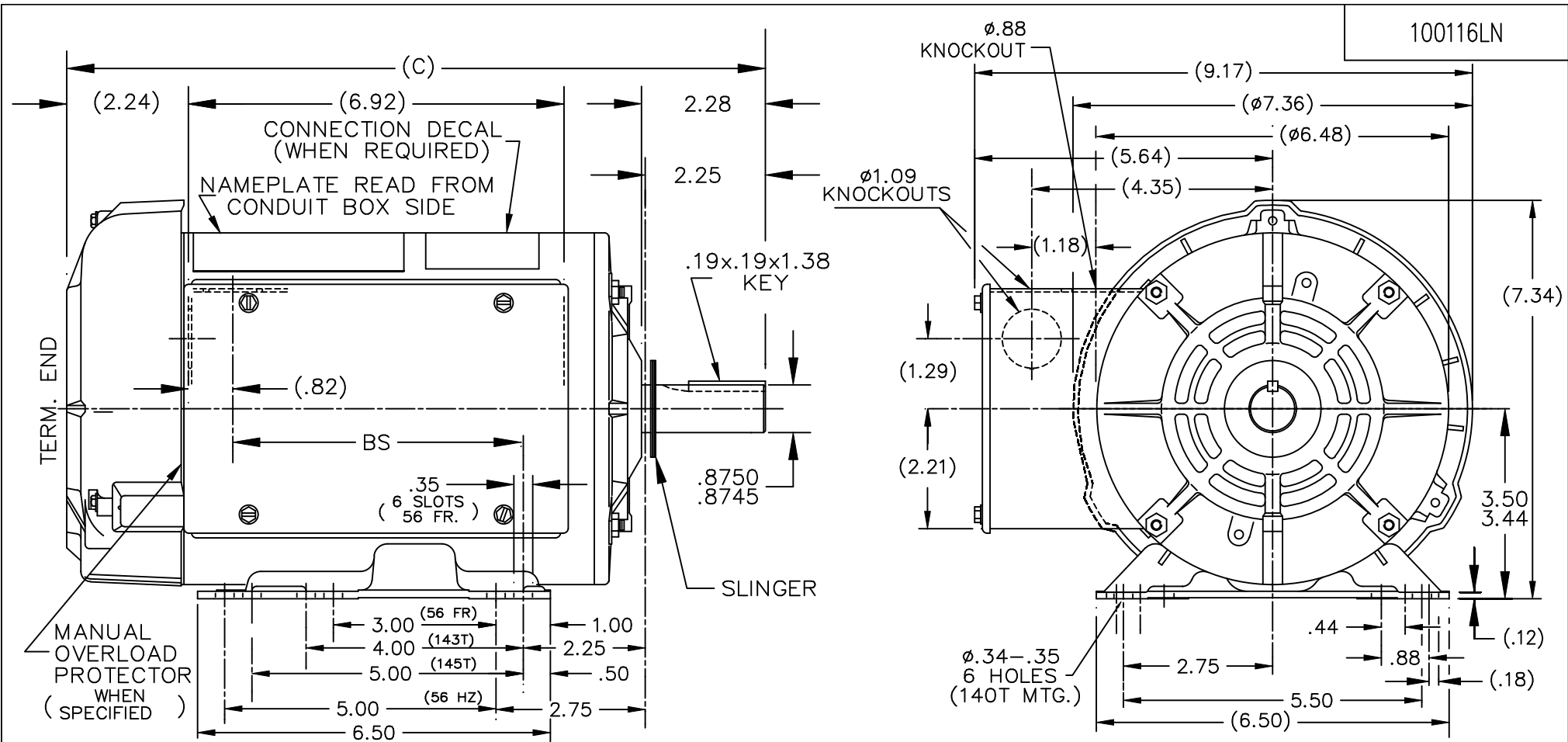
### Nameplate Specifications

Output HP	<b>1.50 Hp</b>	Output KW	<b>1.1 kW</b>
Frequency	<b>60 Hz</b>	Voltage	<b>115/208-230 V</b>
Current	<b>15.2/8.2-7.6 A</b>	Speed	<b>1740 rpm</b>
Service Factor	<b>1.15</b>	Phase	<b>1</b>
Efficiency	<b>80 %</b>	Duty	<b>Continuous</b>
Insulation Class	<b>B</b>	Design Code	<b>L</b>
KVA Code	<b>J</b>	Frame	<b>145T</b>
Enclosure	<b>Totally Enclosed Fan Cooled</b>	Overload Protector	<b>No</b>
Ambient Temperature	<b>40 °C</b>	Drive End Bearing Size	<b>205</b>
Opp Drive End Bearing Size	<b>203</b>	UL	<b>Recognized</b>
CSA	<b>Y</b>	CE	<b>N</b>
IP Code	<b>43</b>		

### Technical Specifications

Electrical Type	<b>Capacitor Start Capacitor Run</b>	Starting Method	<b>Across The Line</b>
Poles	<b>4</b>	Rotation	<b>Selective Counterclockwise</b>
Mounting	<b>Rigid base</b>	Motor Orientation	<b>HORIZONTAL</b>
Drive End Bearing	<b>BALL</b>	Opp Drive End Bearing	<b>BALL</b>
Frame Material	<b>Rolled Steel</b>	Shaft Type	<b>T</b>
Overall Length	<b>13.87 in</b>	Frame Length	<b>8.56 in</b>
Shaft Diameter	<b>0.875 in</b>	Shaft Extension	<b>2.25 in</b>
Assembly/Box Mounting	<b>F1 ONLY</b>		
Outline Drawing	<b>A-100116LN-856</b>	Connection Diagram	<b>102006-51-LN</b>

**This is an uncontrolled document once printed or downloaded and is subject to change without notice. Date Created: 10/15/2018**



DASH	FR.	C	BS		DASH	FR.	C	BS	
					806	140T/56HZ	13.37	5.82	
					856	"	13.87	6.32	
					906	"	14.37	6.82	
756	140T/56HZ	12.87	5.32		956	"	14.87	7.32	

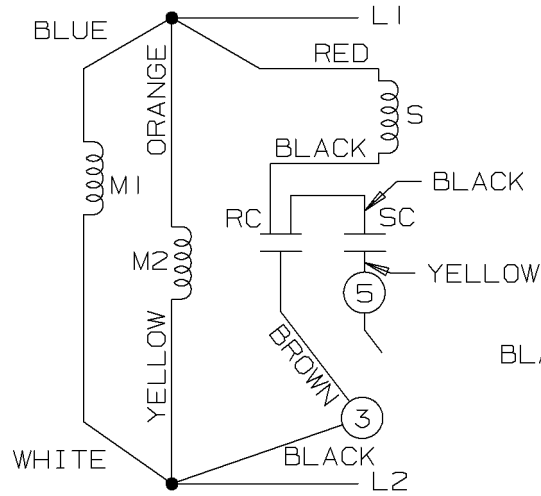
NO.	REVISION	BY & DATE	CHK	TOLERANCES UNLESS SPECIFIED	
				DEC.	INCHES
				.X	±.1
				.XX	±.03
2	ADDED CONNECTION DECAL	NJS 04-07-2003	SAS	.XXX	±.005
1	NEW DRAWING	TJB 11-29-1999		.XXXX	±.0005
				ANG	±7'30"

		DRAWN TJB 11-24-1999	
		CHK ML 11-29-1999	
TITLE OUTLINE 140 FR. 56 HZ - TEFC 1Ø - BB		APPD GK 11-29-1999	
		SCALE 1=2.75	
FINISH		REF	
		FMF	
CAD FILE 100116LN		PREV	
		SIZE A DRAWING NO. 100116LN PAGE OF 2 REV. 2	

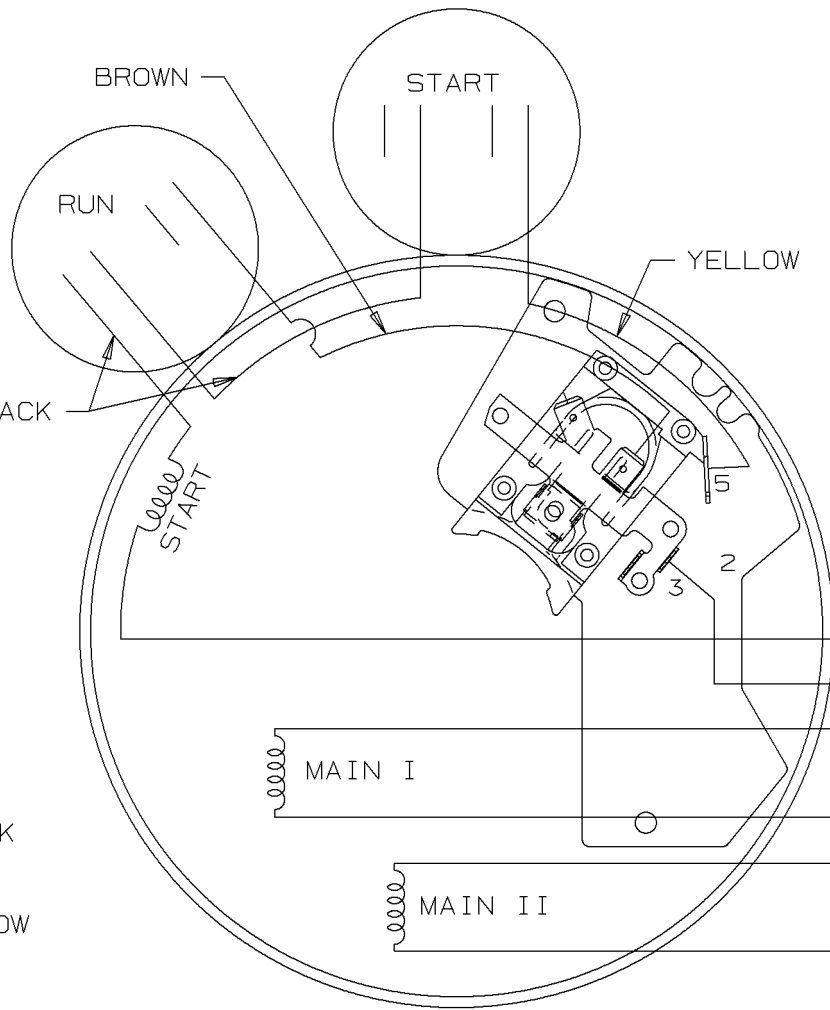
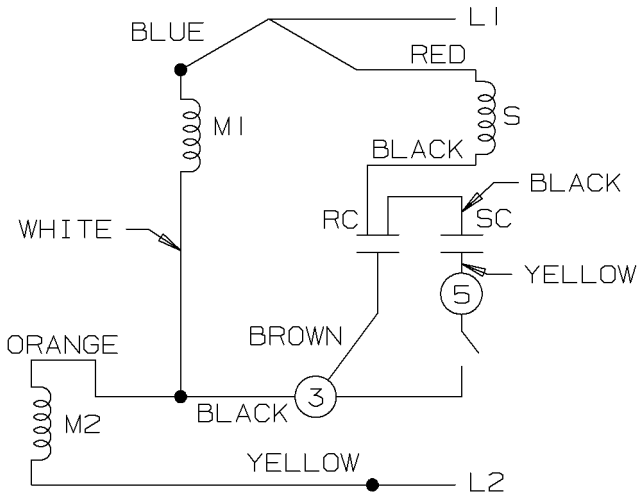
THIS DRAWING IN DESIGN AND DETAIL IS OUR PROPERTY AND MUST NOT BE USED EXCEPT IN CONNECTION WITH OUR WORK ALL RIGHTS OF DESIGN AND INVENTION ARE RESERVED THIS IS AN ELECTRONICALLY GENERATED DOCUMENT - DO NOT SCALE THIS PRINT

RFP DIST WP

LOW VOLTAGE C.C.W.

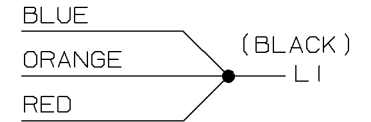


HIGH VOLTAGE C.C.W.

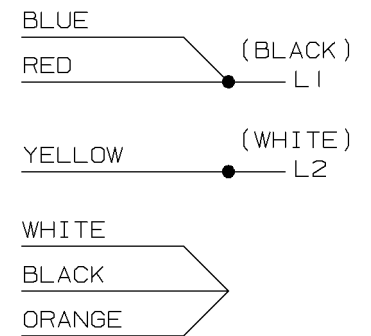


DUAL VOLTAGE CAPACITOR  
START-CAP RUN NO OVERLOAD  
SELECT ROTATION

LOW VOLTAGE C.C.W. ROTATION



HIGH VOLTAGE C.C.W. ROTATION



FOR C.W. ROTATION,  
EITHER VOLTAGE,  
INTERCHANGE RED WITH  
BLACK LEAD

					✓ UNLESS OTHERWISE SPECIFIED DIMENSIONS ARE IN INCHES TOL. ON XX±    XXX±.005    XXXX±.0005    ANGLES± 7'30"			
					MAX. SURFACE ROUGHNESS UNLESS OTHERWISE NOTED			DRAWN BY BLR 09-29-1999 CHKD BY DRS 09-29-1999
1	09-29-1999	NEW DRAWING		BLR			MATERIAL APPD BY GK 09-29-1999	
REV	DATE	CHANGE		NAME	PART NAME CONNECTION DIAGRAM			DRWG NO A-102006-51-LN

PURCHASED	CADD FILE NO.	102006-51-LN
-----------	---------------	--------------



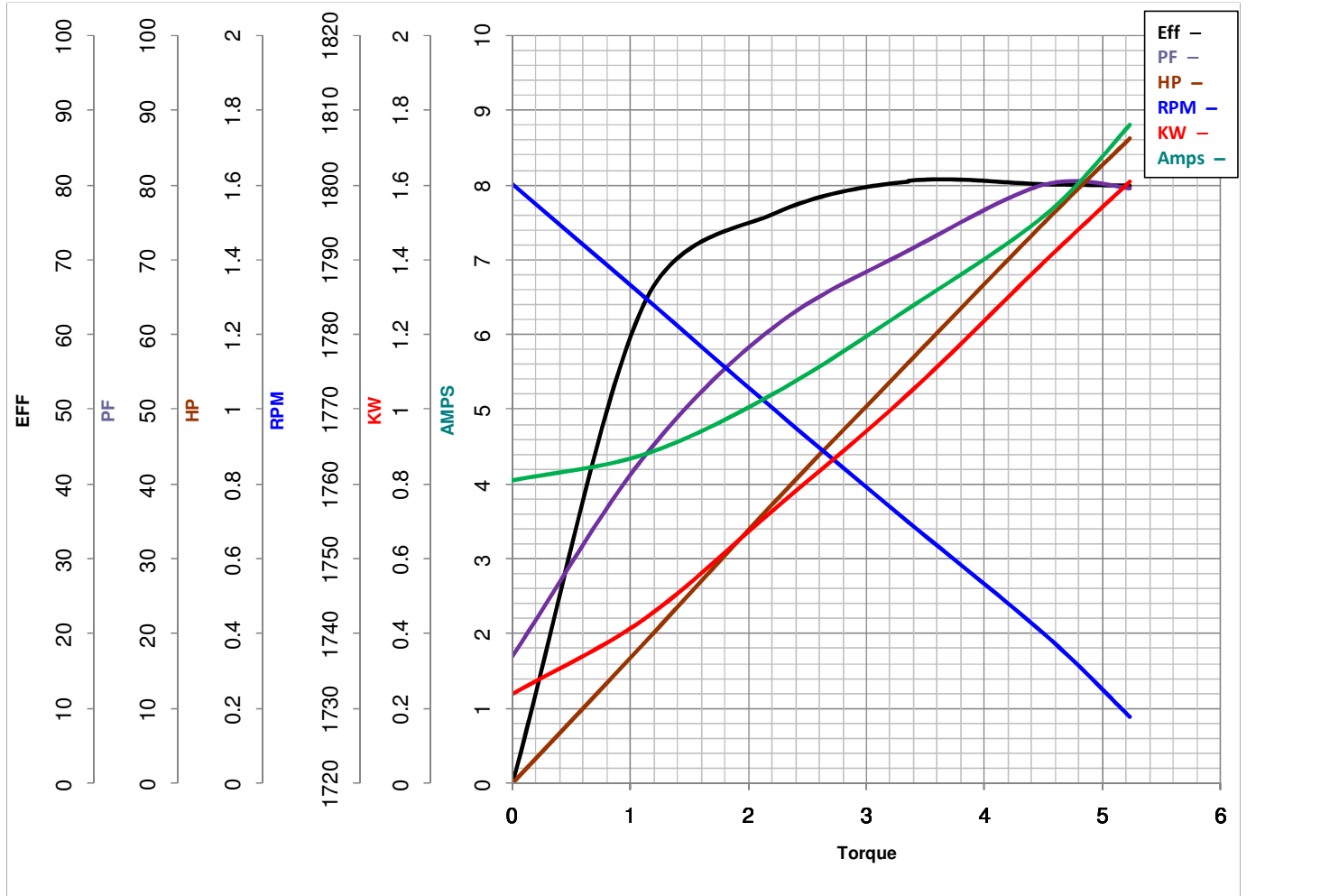
**LEESON ELECTRIC CORPORATION**  
 TYPICAL PERFORMANCE CURVE for AC MOTOR

Model No LM24711

Curve at 230 Volts HP 1.50 PHASE 1  
60 HZ  
1.5 HP VOLTS 115/208-230

Catalog No LM24711AD

HZ 60 RPM 1740



Torque in Lb.Ft

FL TORQUE 4.51 Lb.Ft  
 BD TORQUE 12.4 Lb.Ft  
 LR TORQUE 14.8 Lb.Ft

FL AMPS 15.2/8.2-7.6  
 PU TORQUE 12.6 Lb.Ft  
 LR AMPS 53.8

WINDING ZB406-3

Date 4/16/2018