

PRODUCT INFORMATION PACKET



Model No: LM24710

Catalog No: LM24710

1.50 HP General Purpose Motor, 1 phase, 3600 RPM, 115/208-230 V, 143TZ Frame, TEFC
Single Phase TEFC Motors



Regal and Leeson are trademarks of Regal Beloit Corporation or one of its affiliated companies.

©2019 Regal Beloit Corporation, All Rights Reserved. MC017097E

The Regal logo is located in the bottom right corner. It features the word "REGAL" in a white, sans-serif font, set against a dark grey, trapezoidal background. The background of the entire page on the right side is a blue gradient with a halftone dot pattern.



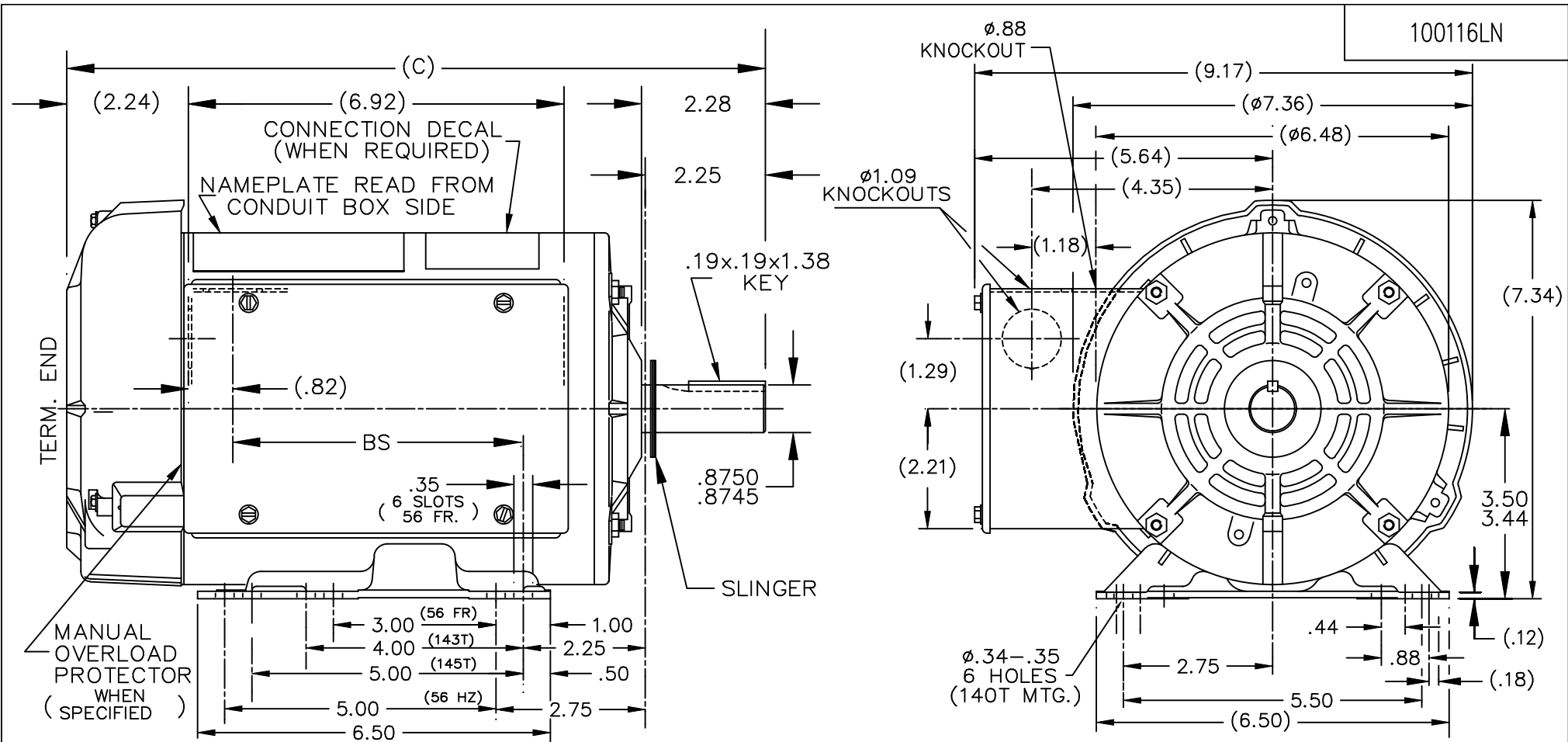
Nameplate Specifications

Output HP	1.50 Hp	Output KW	1.1 kW
Frequency	60 Hz	Voltage	115/208-230 V
Current	14.2/7.7-7.1 A	Speed	3485 rpm
Service Factor	1.15	Phase	1
Efficiency	78.5 %	Power Factor	87.5
Duty	Continuous	Insulation Class	B
Design Code	L	KVA Code	H
Frame	143TZ	Enclosure	Totally Enclosed Fan Cooled
Thermal Protection	No	Ambient Temperature	40 °C
Drive End Bearing Size	205	Opp Drive End Bearing Size	203
UL	Recognized	CSA	Y
CE	N	IP Code	43

Technical Specifications

Electrical Type	Capacitor Start Capacitor Run	Starting Method	Across The Line
Poles	2	Rotation	Selective Counterclockwise
Resistance Main	0 Ohms	Mounting	Rigid base
Motor Orientation	Horizontal	Drive End Bearing	Ball
Opp Drive End Bearing	Ball	Frame Material	Rolled Steel
Shaft Type	Single Special Extension	Overall Length	12.87 in
Frame Length	7.56 in	Shaft Diameter	0.875 in
Shaft Extension	2.25 in	Assembly/Box Mounting	F1 Only

This is an uncontrolled document once printed or downloaded and is subject to change without notice. Date Created:01/11/2019



100116LN

DASH	FR.	C	BS		DASH	FR.	C	BS	
					806	140T/56HZ	13.37	5.82	
					856	"	13.87	6.32	
					906	"	14.37	6.82	
756	140T/56HZ	12.87	5.32		956	"	14.87	7.32	

NO.	REVISION	BY & DATE	CHK	ANG	TOLERANCES UNLESS SPECIFIED	
					DEC.	INCHES
					.X	±.1
					.XX	±.03
2	ADDED CONNECTION DECAL	NJS 04-07-2003	SAS	.XXX	±.005	
1	NEW DRAWING	TJB 11-29-1999		.XXXX	±.0005	
					±7'30"	

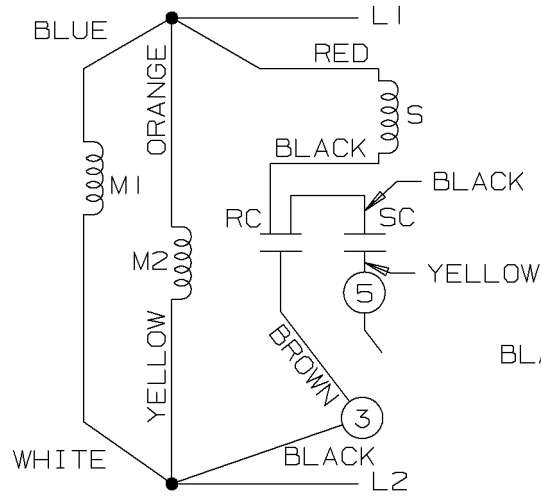
		DRAWN TJB 11-24-1999	
		CHK ML 11-29-1999	
TITLE OUTLINE 140 FR. 56 HZ - TEFC 1Ø - BB		APPD GK 11-29-1999	
		SCALE 1=2.75	
FINISH		REF	
		FMF	
RFP		PREV	

THIS DRAWING IN DESIGN AND DETAIL IS OUR PROPERTY AND MUST NOT BE USED EXCEPT IN CONNECTION WITH OUR WORK ALL RIGHTS OF DESIGN AND INVENTION ARE RESERVED THIS IS AN ELECTRONICALLY GENERATED DOCUMENT - DO NOT SCALE THIS PRINT				CAD FILE 100116LN		SIZE A	DRAWING NO. 100116LN	PAGE OF 1	REV. 2
DIST WP									

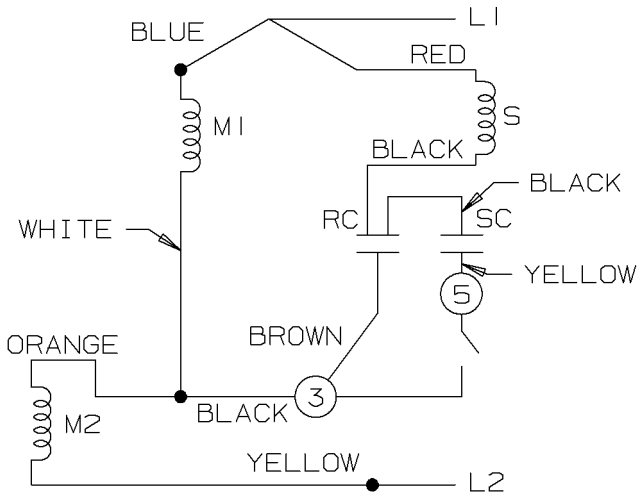
7/5/2007 10:01:08 AM -

Dealers Industrial Equipment -- Visit <https://DealersElectric.com> or call (908) 688-1966 for all of your electric motor & control needs!

LOW VOLTAGE C.C.W.

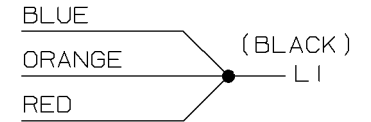


HIGH VOLTAGE C.C.W.

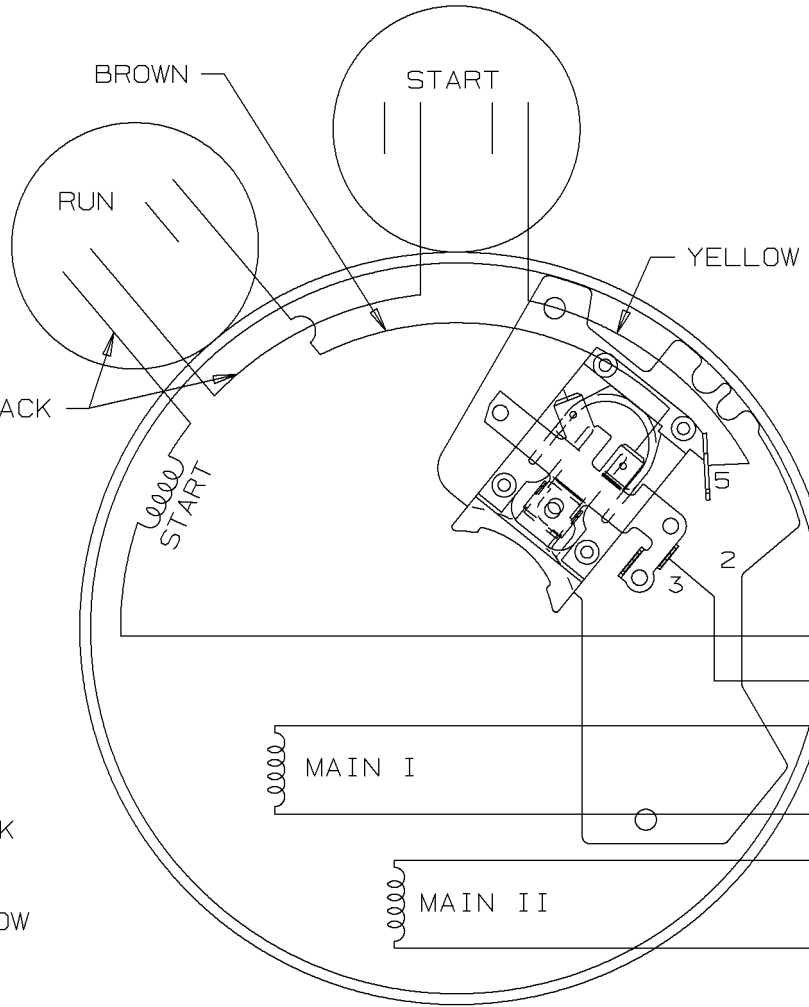
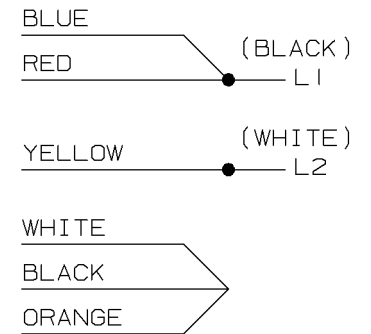


DUAL VOLTAGE CAPACITOR
START-CAP RUN NO OVERLOAD
SELECT ROTATION

LOW VOLTAGE C.C.W. ROTATION



HIGH VOLTAGE C.C.W. ROTATION



FOR C.W. ROTATION,
EITHER VOLTAGE,
INTERCHANGE RED WITH
BLACK LEAD

					✓ UNLESS OTHERWISE SPECIFIED DIMENSIONS ARE IN INCHES TOL. ON XX± XXX±.005 XXXX±.0005 ANGLES± 7'30"		
						MAX. SURFACE ROUGHNESS UNLESS OTHERWISE NOTED	DRAWN BY BLR 09-29-1999 CHKD BY DRS 09-29-1999
I	09-29-1999	NEW DRAWING	BLR		MATERIAL	APPD BY GK 09-29-1999	
REV	DATE	CHANGE	NAME	PART NAME CONNECTION DIAGRAM		DRWG NO A-102006-51-LN	

PURCHASED

CADD FILE NO.

102006-51-LN