

# PRODUCT INFORMATION PACKET



Model No: SSF4S1T1C6028  
Catalog No: LM24709  
1..1800.143T.TEFC.115/208-230.1.60....1.15...SSF4S1T1C6028  
Totally Enclosed Fan Cooled (TEFC)



Regal and Leeson are trademarks of Regal Beloit Corporation or one of its affiliated companies.  
©2018 Regal Beloit Corporation, All Rights Reserved. MC017097E





### Nameplate Specifications

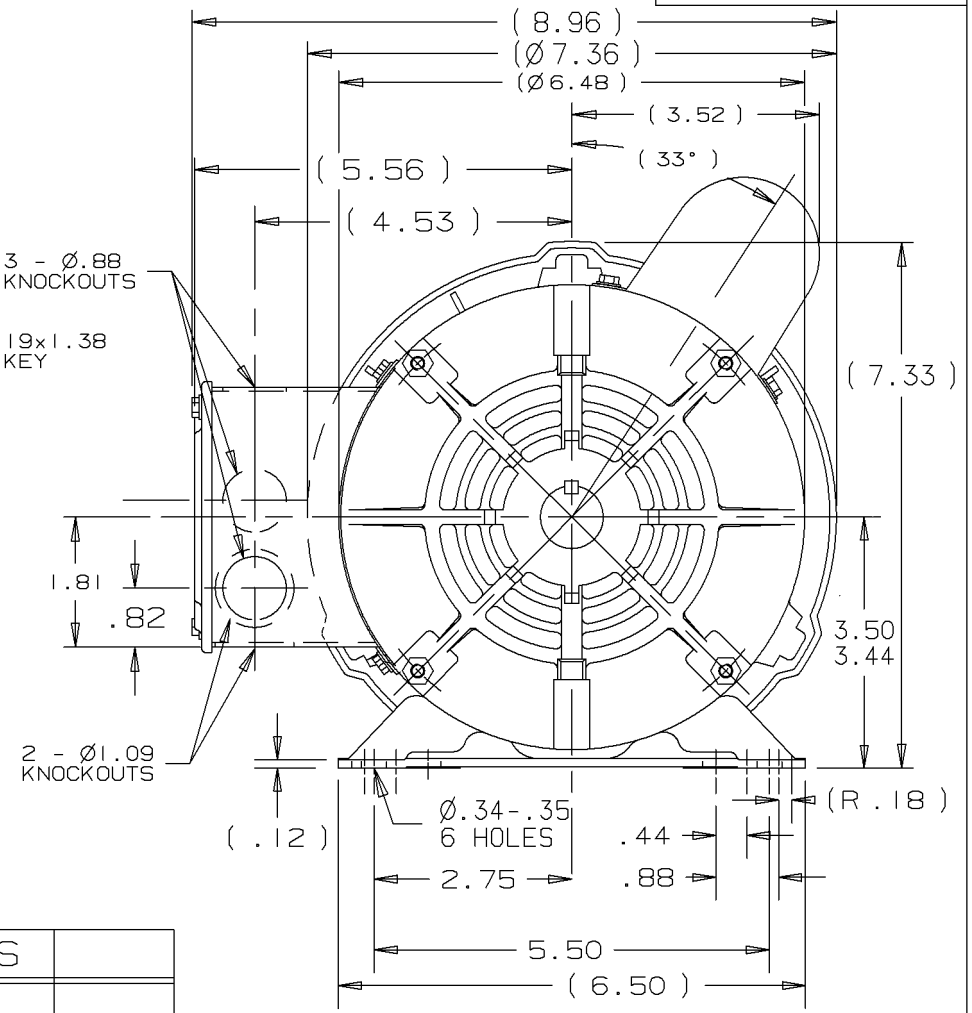
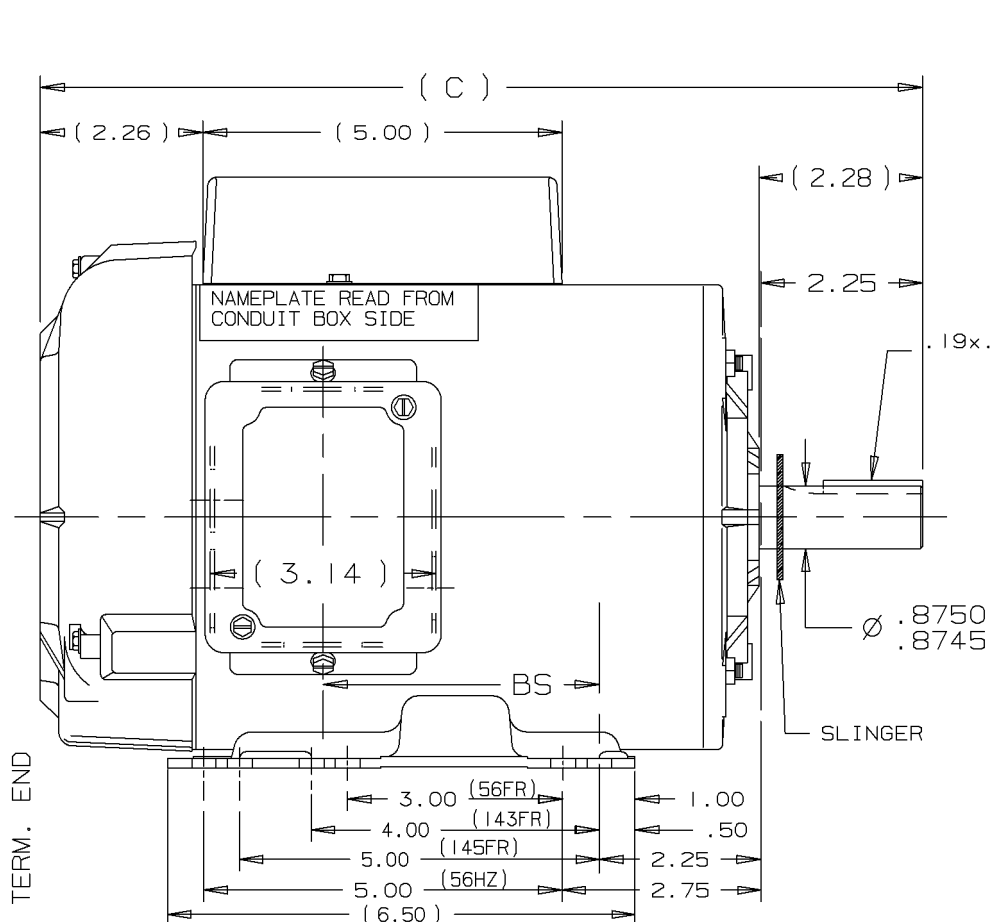
Output HP	<b>1 Hp</b>	Output KW	<b>0.75 kW</b>
Frequency	<b>60 Hz</b>	Voltage	<b>115/208-230 V</b>
Current	<b>13.4/6.8-6.7 A</b>	Speed	<b>1725 rpm</b>
Service Factor	<b>1.15</b>	Phase	<b>1</b>
Efficiency	<b>72 %</b>	Duty	<b>Continuous</b>
Insulation Class	<b>B</b>	Design Code	<b>L</b>
KVA Code	<b>J</b>	Frame	<b>143TZ</b>
Enclosure	<b>Totally Enclosed Fan Cooled</b>	Overload Protector	<b>No</b>
Ambient Temperature	<b>40 °C</b>	Drive End Bearing Size	<b>205</b>
Opp Drive End Bearing Size	<b>203</b>	UL	<b>Recognized</b>
CSA	<b>Y</b>	CE	<b>N</b>
IP Code	<b>43</b>		

### Technical Specifications

Electrical Type	<b>Capacitor Start Induction Run</b>	Starting Method	<b>Across The Line</b>
Poles	<b>4</b>	Rotation	<b>Selective Counterclockwise</b>
Mounting	<b>Rigid base</b>	Motor Orientation	<b>HORIZONTAL</b>
Drive End Bearing	<b>BALL</b>	Opp Drive End Bearing	<b>BALL</b>
Frame Material	<b>Rolled Steel</b>	Shaft Type	<b>Single Special Extension</b>
Overall Length	<b>12.87 in</b>	Frame Length	<b>7.56 in</b>
Shaft Diameter	<b>0.875 in</b>	Shaft Extension	<b>2.25 in</b>
Assembly/Box Mounting	<b>F1 ONLY</b>		
Outline Drawing	<b>A-100115LN-756</b>	Connection Diagram	<b>102005-51-LN</b>

**This is an uncontrolled document once printed or downloaded and is subject to change without notice. Date Created: 10/15/2018**

A-100115LN



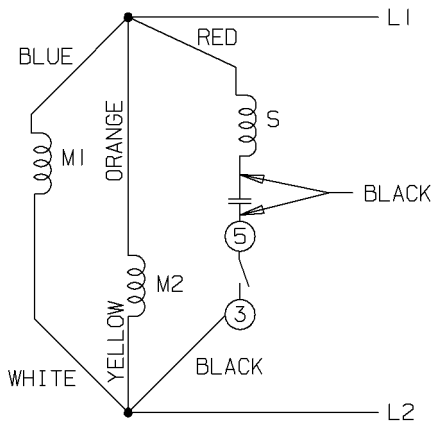
TERM. END

DASH	FR.	C	BS		DASH	FR.	C	BS
756	143T	12.87	4.43					

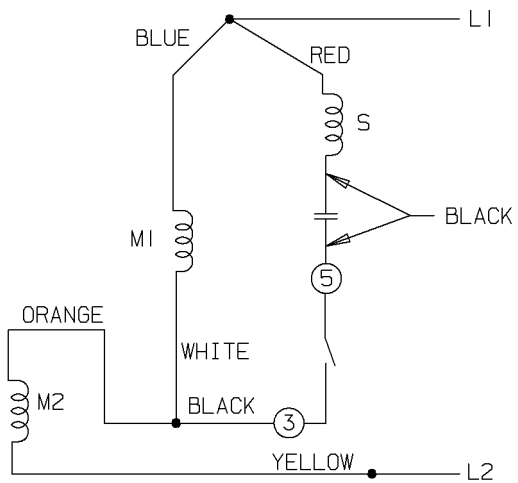
NOTE:  
CONDUIT BOX CAN BE ROTATED IN 180° STEPS

						UNLESS OTHERWISE SPECIFIED DIMENSIONS ARE IN INCHES TOL. ON XX±.03 XXX±.005 XXXX±.0005 ANGLES± 7°30"			
						MAX. SURFACE ROUGHNESS UNLESS OTHERWISE NOTED		DRAWN BY TJB 12-02-1999	
						FINISH		CHKD BY ML 12-02-1999	
						MATERIAL		APPD BY GK 12-02-1999	
REV	DATE	CHANGE			NAME	PART NAME OUTLINE			DRWG NO
						140T-56HZ - 1Ø - TEFC - BB			A-100115LN
				PURCHASED		CADD FILE NO.		100115LN	

LOW VOLTAGE - C.C.W.

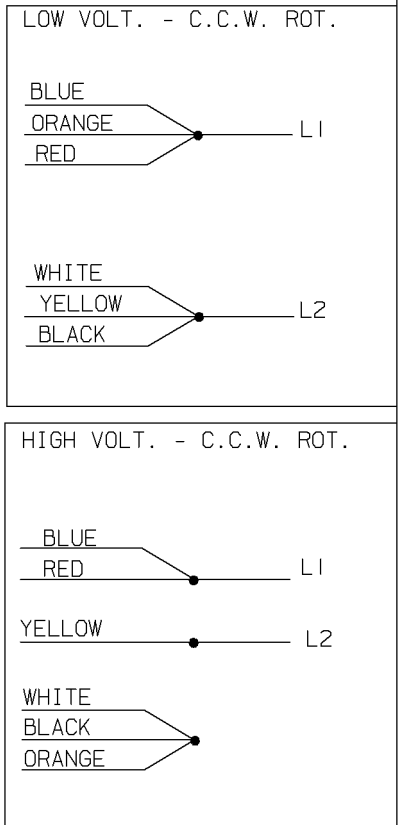
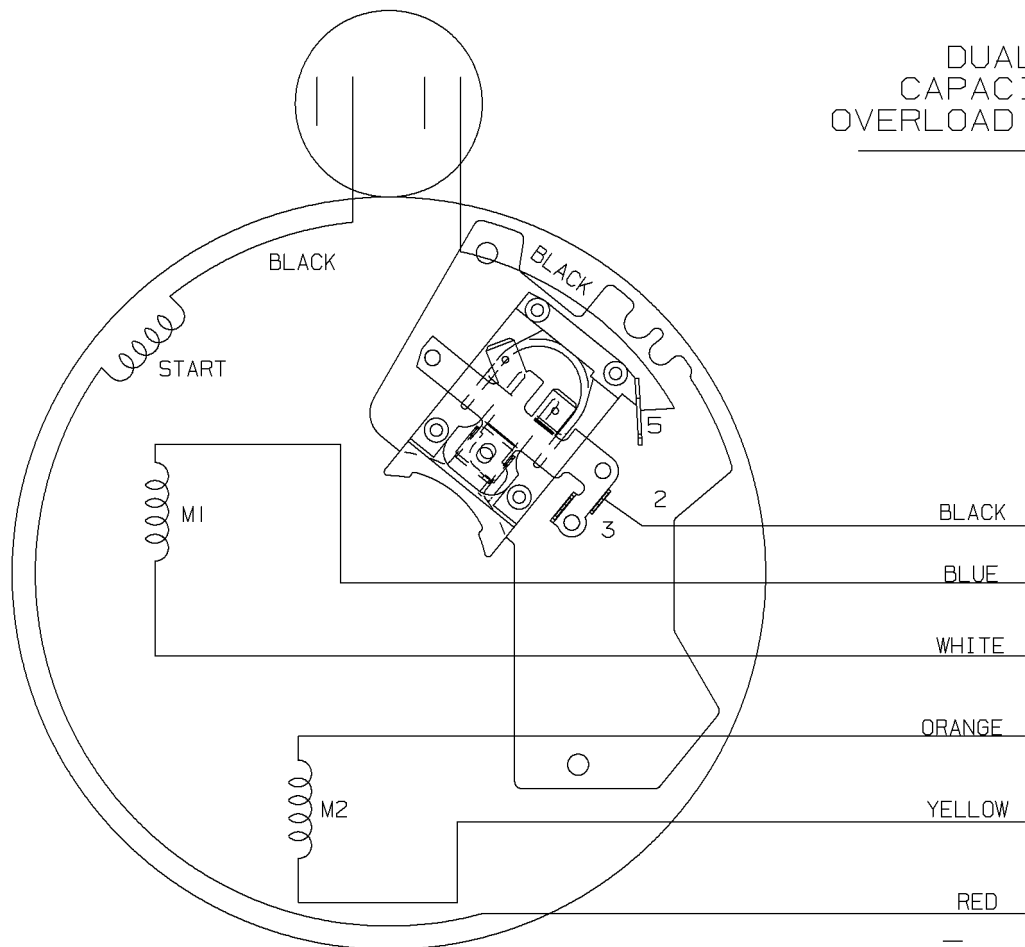


HIGH VOLTAGE - C.C.W.



A-102005-51-LN

DUAL VOLTAGE  
CAPACITOR START NO  
OVERLOAD SELECT ROTATION



FOR C.W. ROTATION EITHER  
VOLTAGE INTERCHANGE  
RED WITH BLACK LEAD

2	05-21-2001	ADDED VIEW OF CORD	MU37277	HLB
1	09-29-1999	NEW DRAWING		BLR
REV	DATE	CHANGE		NAME

**Lincoln**  
**MOTORS**

UNLESS OTHERWISE SPECIFIED DIMENSIONS ARE IN INCHES  
TOL. ON XX±.02 XXX±.005 XXXX±.0005 ANGLES± 7'30"

MAX. SURFACE ROUGHNESS UNLESS OTHERWISE NOTED	DRAWN BY BLR	09-29-1999
FINISH	CHKD BY DRS	09-29-1999
MATERIAL	APPD BY GK	09-29-1999

PART NAME CONNECTION DIAGRAM

DRWG NO  
**A-102005-51-LN**



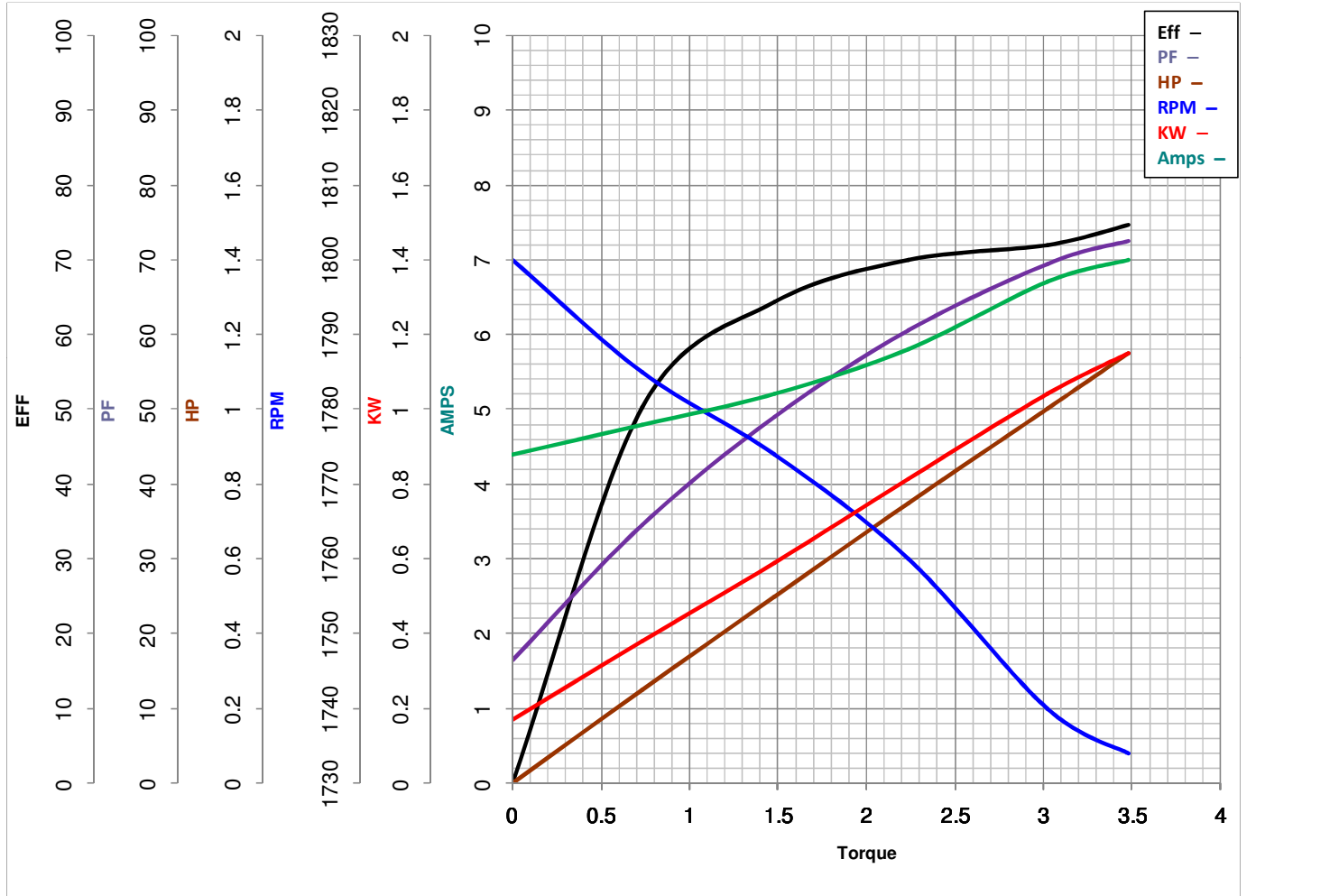
**LEESON ELECTRIC CORPORATION**  
 TYPICAL PERFORMANCE CURVE for AC MOTOR

Model No LM24709

Curve at 230 Volts      HP 1.00      PHASE 1  
60 HZ  
1 HP      VOLTS 115/208-230

Catalog No LM24709AD

HZ 60      RPM 1725



Torque in Lb.Ft

FL TORQUE 3.019 Lb.Ft  
 BD TORQUE 7.6 Lb.Ft  
 LR TORQUE 8.906 Lb.Ft

FL AMPS 13.4/6.8-6.7  
 PU TORQUE 6.3 Lb.Ft  
 LR AMPS 34.7

WINDING ZC407-3

Date 4/19/2018