

PRODUCT INFORMATION PACKET



Model No: LM24706

Catalog No: LM24706

0.50 HP General Purpose Motor, 1 phase, 3600 RPM, 115/208-230 V, 56 Frame, TEFC
Single Phase TEFC Motors



Regal and Leeson are trademarks of Regal Beloit Corporation or one of its affiliated companies.

©2019 Regal Beloit Corporation, All Rights Reserved. MC017097E

The Regal logo is located in the bottom right corner. It features the word "REGAL" in a white, bold, sans-serif font, set within a dark grey, trapezoidal shape that has a slight 3D effect.



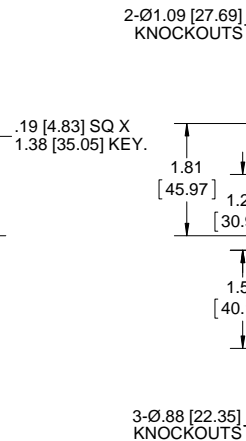
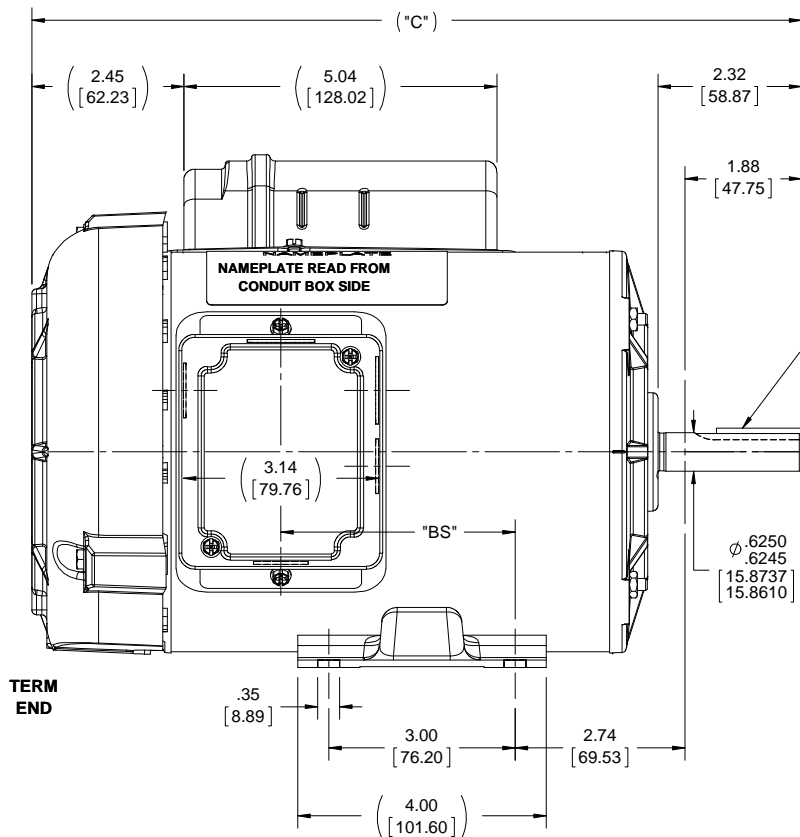
Nameplate Specifications

Output HP	0.50 Hp	Output KW	0.37 kW
Frequency	60 Hz	Voltage	115/208-230 V
Current	8.4/4.0-4.2 A	Speed	3450 rpm
Service Factor	1.15	Phase	1
Efficiency	59.5 %	Power Factor	70
Duty	Continuous	Insulation Class	F
Design Code	N	KVA Code	N
Frame	56	Enclosure	Totally Enclosed Fan Cooled
Thermal Protection	No	Ambient Temperature	40 °C
Drive End Bearing Size	203	Opp Drive End Bearing Size	203
UL	Recognized	CSA	Y
CE	N	IP Code	43

Technical Specifications

Electrical Type	Capacitor Start Induction Run	Starting Method	Across The Line
Poles	2	Rotation	Selective Clockwise
Resistance Main	0 Ohms	Mounting	Rigid base
Motor Orientation	Horizontal	Drive End Bearing	Ball
Opp Drive End Bearing	Ball	Frame Material	Rolled Steel
Shaft Type	T	Overall Length	11.90 in
Frame Length	6.56 in	Shaft Diameter	0.625 in
Shaft Extension	2.32 in	Assembly/Box Mounting	F1 Only

This is an uncontrolled document once printed or downloaded and is subject to change without notice. Date Created:01/11/2019



TERM END

NOTE:-
 1) CONDUIT BOX CAN BE ROTATED IN 180° STEPS.

DASH	"C"	"BS"
606	11.40 [298.56]	2.77 [70.36]
656	11.90 [302.26]	3.27 [83.06]
706	12.40 [314.96]	3.77 [95.76]
756	12.90 [327.66]	4.27 [108.46]

DRAWING REVISION C	REVISION BY A.SUPPANAVAR	DATE 02/23/2018
ECO ECO-0143026	APPROVED BY PST	DATE 04/11/2018
ECO DESCRIPTION OUTLINE CONVERSION PROJECT		
<small>COPYRIGHT REGAL BELOIT AMERICA, INC. ALL RIGHTS RESERVED. PROPRIETARY AND CONFIDENTIAL INFORMATION - THIS DOCUMENT IS THE PROPERTY OF REGAL BELOIT AMERICA, INC. (OWNER) AND CONTAINS OWNER'S PROPRIETARY INFORMATION. ANY PERSON, CORPORATION OR OTHER FIRM RECEIVING IT IS DEEMED, BY RECEIVING IT, TO AGREE THAT IT, AND/OR ANY PART OF IT, SHALL NOT BE DISCLOSED TO ANY PERSON, CORPORATION OR OTHER ENTITY, DUPLICATED, AND/OR USED, EXCEPT AS EXPRESSLY APPROVED IN WRITING IN ADVANCE BY OWNER. THIS DOCUMENT SHALL BE RETURNED TO OWNER UPON REQUEST. IT MAY BE SUBJECT TO CERTAIN RESTRICTIONS UNDER APPLICABLE EXPORT CONTROL LAWS AND REGULATIONS.</small>		

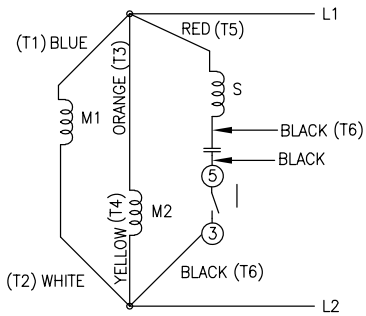
TOLERANCES UNLESS OTHERWISE SPECIFIED:			
DEC.	INCH	mm	ANGLE
.X	±0.1	[±2.5]	±7-30°
.XX	±0.03	[±0.76]	
.XXX	±0.005	[±0.127]	
.XXXX	±0.0005	[±0.0127]	
REMOVE BURRS & BREAK SHARP EDGES: .003/.015 [0.076/.381] X 45°			
CORNER FILLETS: R.02 [51]			
MACHINED SURFACES: 200 INCH 5.1 mm			
mm SHOWN IN [BRACKETS]			

DRAWN BY TRD	DATE 09-09-1999
APPROVED BY GK	DATE 09-09-1999
REFERENCE 100093LN	THIRD ANGLE PROJECTION

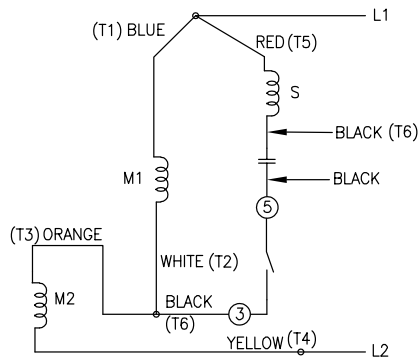
Regal Beloit America, Inc.	
DESCRIPTION OUTLINE 56 FR.-BB-TEFC-1Ø	
MATERIAL	PROCESS/FINISH
SIZE B	DRAWING NUMBER 100093LN
SHEET 1 OF 1	

102005-51LN

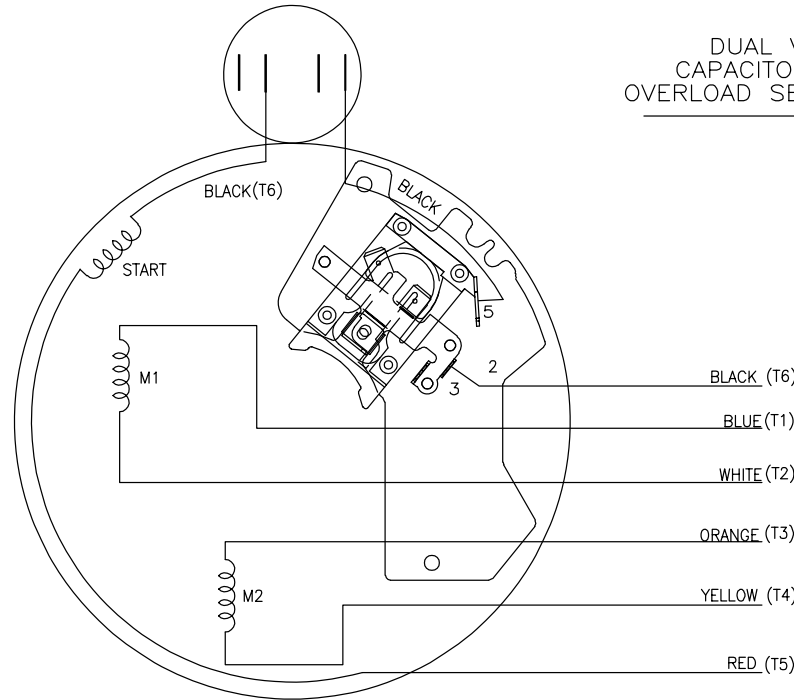
LOW VOLTAGE - C.C.W.



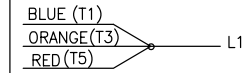
HIGH VOLTAGE - C.C.W.



DUAL VOLTAGE
CAPACITOR START NO
OVERLOAD SELECT ROTATION



LOW VOLT. - C.C.W. ROT.



HIGH VOLT. - C.C.W. ROT.



FOR C.W. ROTATION EITHER
VOLTAGE INTERCHANGE
RED(T5) WITH BLACK(T6) LEAD

		TOLERANCES UNLESS SPECIFIED				DRAWN BLR 09-29-1999	
		DEC.	INCHES			CHK	DRS 09-29-1999
			.X	±.1	APPD GK 09-29-1999BLR		SCALE 5=9
2	ADDED VIEW OF CORD MU37277	HLB 05-21-2001	.XX	±.02	TITLE CONNECTION DIAGRAM		REF
1	NEW DRAWING	PST 09-29-1999	.XXX	±.005	MAT'L.		FMF
NO.	REVISION	BY & DATE	CHK	ANG ±7'30"	FINISH	PREV	
THIS DRAWING IN DESIGN AND DETAIL IS OUR PROPERTY AND MUST NOT BE USED EXCEPT IN CONNECTION WITH OUR WORK ALL RIGHTS OF DESIGN AND INVENTION ARE RESERVED THIS IS AN ELECTRONICALLY GENERATED DOCUMENT - DO NOT SCALE THIS PRINT			RFP	CAD FILE 102005-51LN		SIZE	DRAWING NO. PAGE OF REV.
			DIST WP			A	102005-51LN 2