

PRODUCT INFORMATION PACKET



Model No: SRF4S0.5T1C6028

Catalog No: LM24627

..1/2..1800.S56.TEFC.115/208-230.1.60...1.15.F1.SRF4S0.5T1C6028.....

Totally Enclosed Fan Cooled (TEFC)



Regal and Leeson are trademarks of Regal Beloit Corporation or one of its affiliated companies.

©2018 Regal Beloit Corporation, All Rights Reserved. MC017097E





Nameplate Specifications

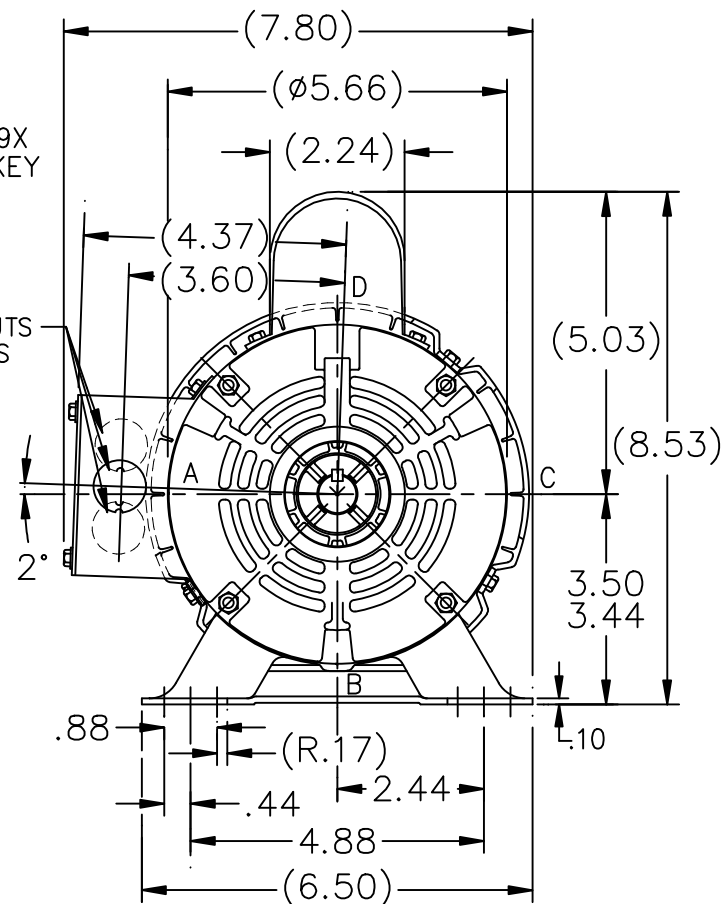
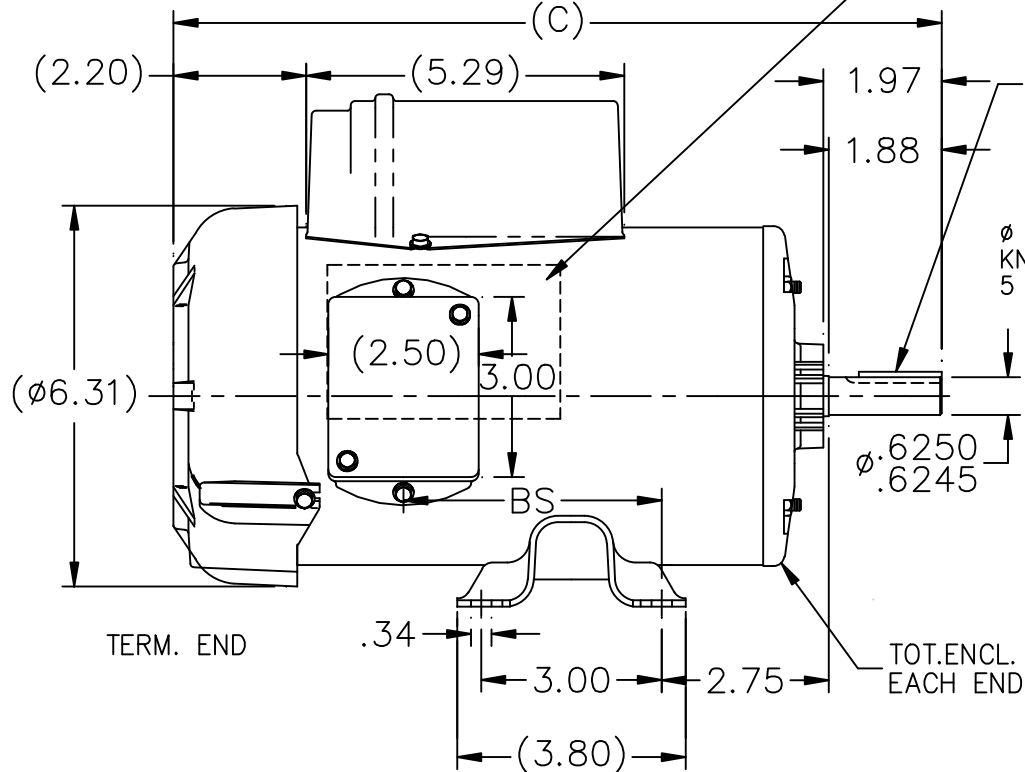
Output HP	0.50 Hp	Output KW	0.37 kW
Frequency	60 Hz	Voltage	115/208-230 V
Current	8.0/4.0-4.0 A	Speed	1725 rpm
Service Factor	1.15	Phase	1
Efficiency	66 %	Duty	Continuous
Insulation Class	B	Design Code	NO DESIGN CODE
KVA Code	M	Frame	56Z
Enclosure	Totally Enclosed Fan Cooled	Overload Protector	No
Ambient Temperature	40 °C	Drive End Bearing Size	6203
Opp Drive End Bearing Size	6203	UL	Recognized
CSA	Y	CE	N
IP Code	43		

Technical Specifications

Electrical Type	Capacitor Start Induction Run	Starting Method	Across The Line
Poles	4	Rotation	Selective Counterclockwise
Mounting	Rigid base	Motor Orientation	HORIZONTAL
Drive End Bearing	BALL	Opp Drive End Bearing	BALL
Frame Material	Rolled Steel	Shaft Type	Single Special Extension
Overall Length	11.22 in	Frame Length	6.25 in
Shaft Diameter	0.625 in	Shaft Extension	1.88 in
Assembly/Box Mounting	F1 ONLY		
Outline Drawing	A-SS75177LN-625	Connection Diagram	A-EE9023D-LN

This is an uncontrolled document once printed or downloaded and is subject to change without notice. Date Created: 10/15/2018

NAMEPLATE LOC. .25" BELOW
CAPACITOR, .50" FROM EDGE OF FRAME
@ 'C'. READ FROM LOC. 'C'.



DASH	C	BS
525	10.22	1.80
575	10.72	2.30
625	11.22	2.80

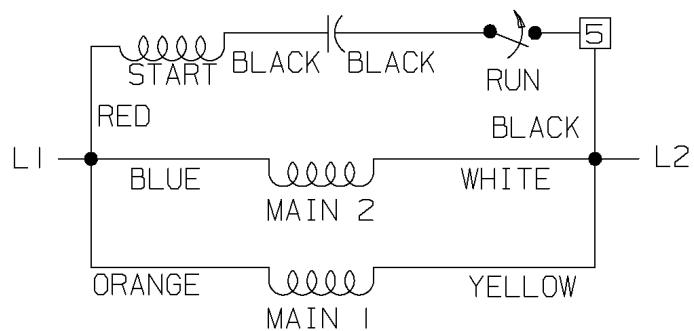
NO.	REVISION	BY & DATE	CHK	ANG	±7'30"	FINISH	PREV
06	FRAME IN TITLE BLOCK WAS "48" PER ISAAC 11-3382	PG 07/25/11					
05	ADDED 'BS' DIMENSION	RJW 11-12-2004	DEC.	INCHES			
04	ADDED 'BS' TO CHART	HLB 11-08-2004	.X	±.1			
03	ADDED NEW REAR BRACKET CN 19546	RJM 03-10-1995	.XX	±.02			
02	REVISED NAMEPLATE LOCATION	RM 10-07-1991	.XXX	±.005			
01	NEW DRAWING	RM 09-26-1991	.XXXX	±.0005			
						TOLERANCES UNLESS SPECIFIED	
						LINECOLN MOTORS	
						TITLE OUTLINE	
						S56 FR. - 1φ	
						MAT'L.	
						CAD FILE SS75177LN	
						SIZE A	
						DRAWING NO. SS75177LN	
						PAGE OF	
						5	

THIS DRAWING IN DESIGN AND DETAIL IS OUR PROPERTY AND MUST NOT BE USED EXCEPT IN CONNECTION WITH OUR WORK ALL RIGHTS OF DESIGN AND INVENTION ARE RESERVED THIS IS AN ELECTRONICALLY GENERATED DOCUMENT - DO NOT SCALE THIS PRINT

7/25/2011 8:54:33 AM

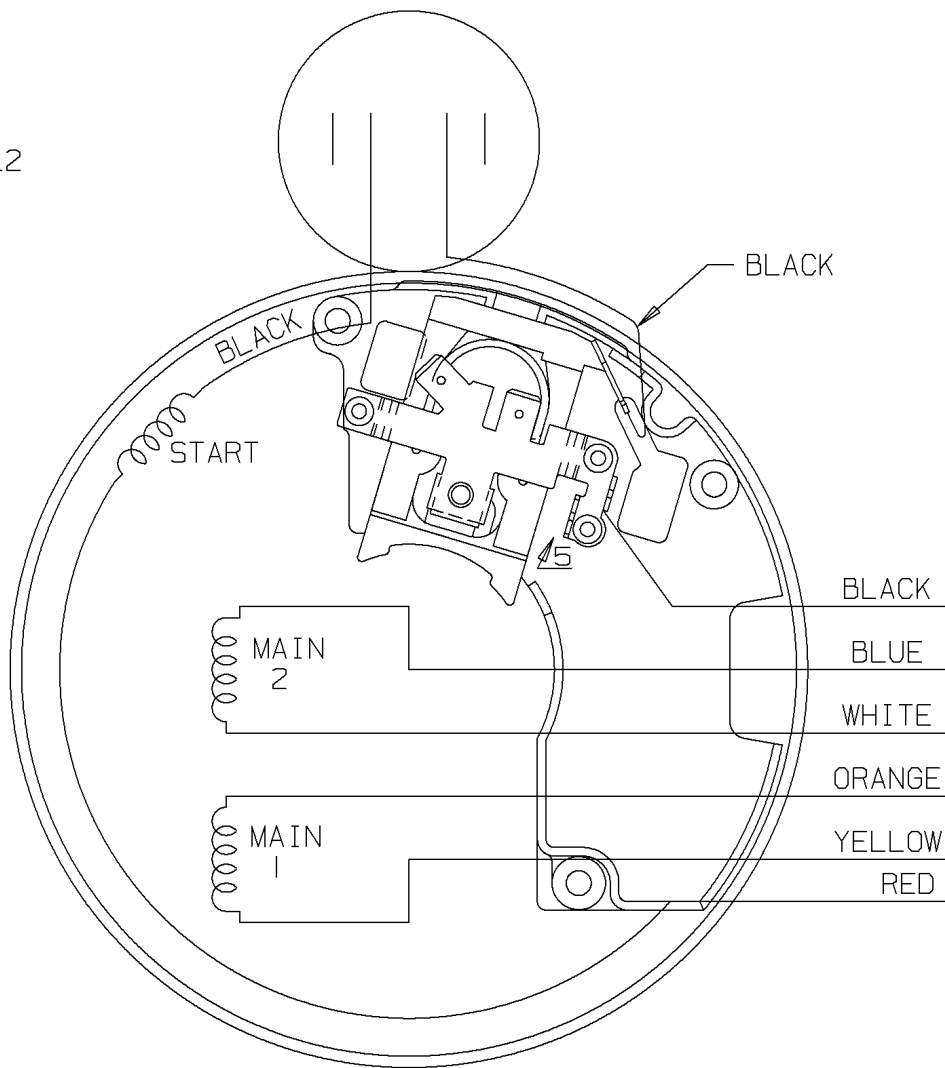
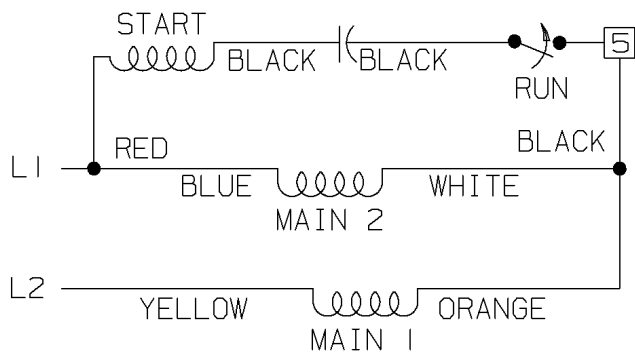
A- EE9023D

LOW VOLTAGE C.C.W.



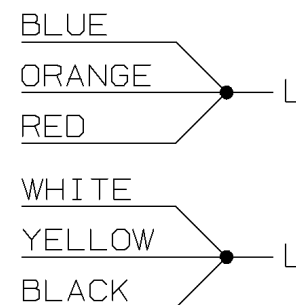
START

HIGH VOLTAGE C.C.W.

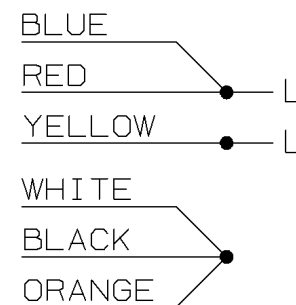


DUAL VOLTAGE
CAPACITOR ST.
NO OVERLOAD
SELECT ROTAT

LOW VOLT. CCW



HIGH VOLT. CCW



FOR CW ROT. EIT
VOLTAGE INTERCH
RED WITH BLACK

A-S4AF4



UNLESS OTHERWISE SPECIFIED DIMENSIONS ARE IN INCHES
TOL. ON XX± .02 XXX± .005 XXXX± .0005 ANGLES±

MAX. SURFACE ROUGHNESS
UNLESS OTHERWISE NOTED

FINISH

MATERIAL

DRAWN BY TJB 11-

CHKD BY ML 11-

APPD BY GK 11-

NEW DRAWING

TJB

