

# PRODUCT INFORMATION PACKET



Model No: SRF4S1.5TLCN1B6028

Catalog No: LM24622

1 1/2..1800.56C.TEFC.115/208-230.1.60....1.15...SRF4S1.5TLCN1B6028

Totally Enclosed Fan Cooled (TEFC)



Regal and Leeson are trademarks of Regal Beloit Corporation or one of its affiliated companies.

©2018 Regal Beloit Corporation, All Rights Reserved. MC017097E





### Nameplate Specifications

Output HP	1.50 Hp	Output KW	1.1 kW
Frequency	60 Hz	Voltage	115/208-230 V
Current	15.2/8.2-7.6 A	Speed	1725 rpm
Service Factor	1.15	Phase	1
Efficiency	80 %	Duty	Continuous
Insulation Class	B	Design Code	N
KVA Code	J	Frame	56C
Enclosure	Totally Enclosed Fan Cooled	Overload Protector	No
Ambient Temperature	40 °C	Drive End Bearing Size	6203
Opp Drive End Bearing Size	6203	UL	Recognized
CSA	Y	CE	N
IP Code	43		

### Technical Specifications

Electrical Type	Capacitor Start Capacitor Run	Starting Method	Across The Line
Poles	4	Rotation	Selective Counterclockwise
Mounting	Round	Motor Orientation	HORIZONTAL
Drive End Bearing	BALL	Opp Drive End Bearing	BALL
Frame Material	Rolled Steel	Shaft Type	NEMA 56
Overall Length	13.82 in	Frame Length	8.56 in
Shaft Diameter	0.625 in	Shaft Extension	1.88 in
Assembly/Box Mounting	F1 ONLY		
Outline Drawing	A-100099LN-856	Connection Diagram	102006-51-LN

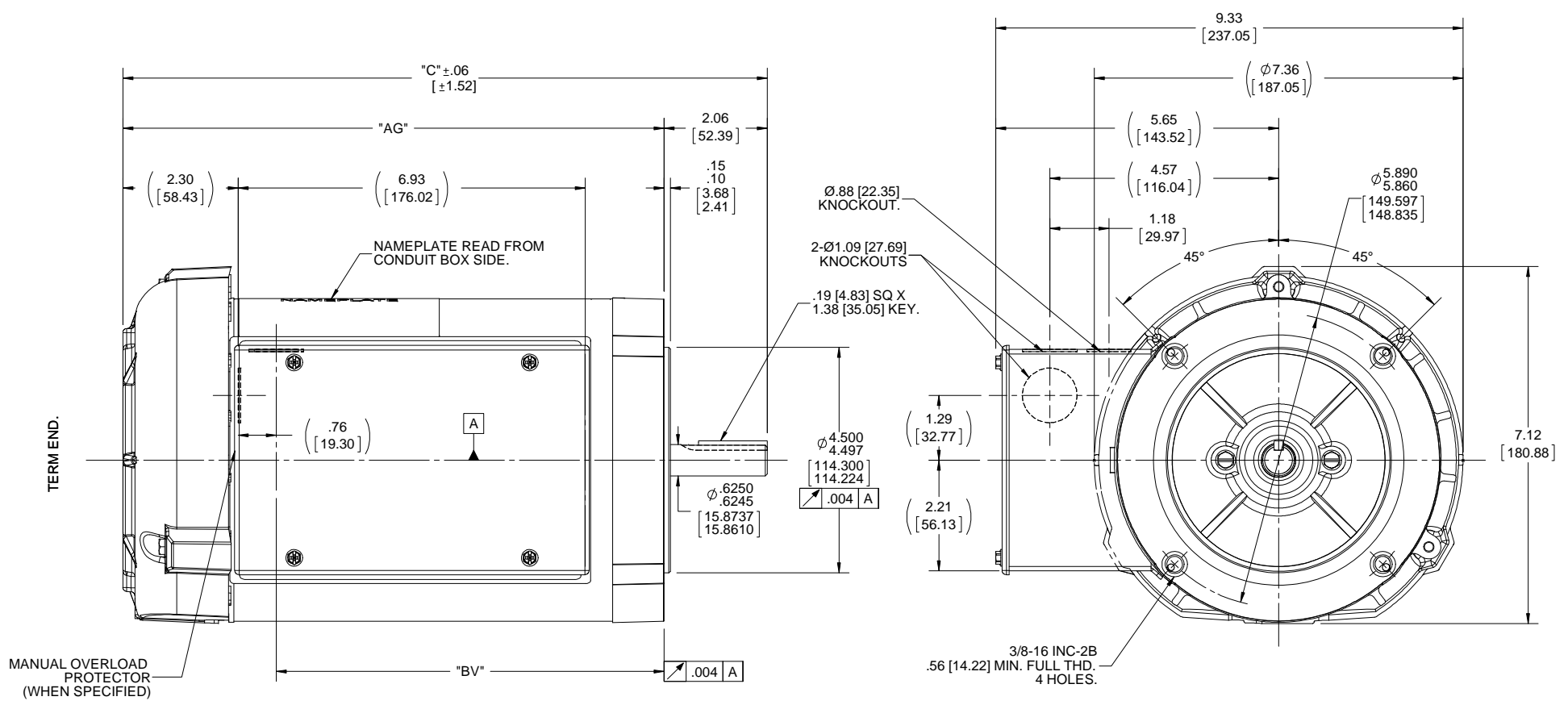
This is an uncontrolled document once printed or downloaded and is subject to change without notice. Date Created: 10/15/2018

B

B

A

A



DASH	"C"	"AG"	"BV"
706	12.36 [313.94]	10.30 [261.62]	7.24 [183.89]
756	12.86 [326.64]	10.80 [274.32]	7.74 [196.59]
806	13.36 [339.34]	11.30 [287.02]	8.24 [209.29]
856	13.86 [352.04]	11.80 [299.72]	8.74 [221.99]
956	14.86 [377.44]	12.80 [325.12]	9.74 [247.39]

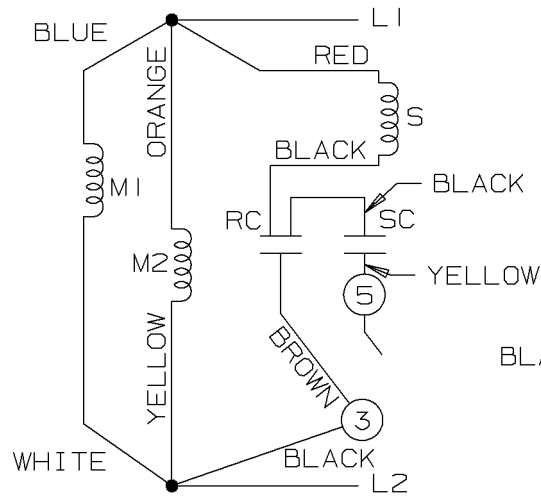
DRAWING REVISION C	REVISION BY A SUPPANAVAR	DATE 03/26/2018
ECO ECO-0152983	APPROVED BY JD	DATE 09/19/2018
ECO DESCRIPTION OUTLINE CONVERSION PROJECT		
<small>COPYRIGHT REGAL BELOIT AMERICA, INC. ALL RIGHTS RESERVED.          PROPRIETARY AND CONFIDENTIAL INFORMATION - THIS DOCUMENT IS THE PROPERTY OF          REGAL BELOIT AMERICA, INC. ("OWNER") AND CONTAINS OWNER'S PROPRIETARY          INFORMATION. ANY PERSON, CORPORATION OR OTHER FIRM RECEIVING IT IS DEEMED,          BY RECEIVING IT, TO AGREE THAT IT, AND/OR ANY PART OF IT, SHALL NOT BE DISCLOSED          TO ANY PERSON, CORPORATION OR OTHER ENTITY, DUPLICATED, AND/OR USED, EXCEPT          AS EXPRESSLY APPROVED IN WRITING IN ADVANCE BY OWNER. THIS DOCUMENT SHALL          BE RETURNED TO OWNER UPON REQUEST. IT MAY BE SUBJECT TO CERTAIN          RESTRICTIONS UNDER APPLICABLE EXPORT CONTROL LAWS AND REGULATIONS.</small>		

TOLERANCES UNLESS OTHERWISE SPECIFIED:			
DEC.	INCH	mm	ANGLE
.X	+0.1	[+2.5]	±7-30°
.XX	+0.03	[+0.76]	
.XXX	+0.005	[+0.127]	
.XXXX	+0.0005	[±0.0127]	
REMOVE BURRS & BREAK SHARP EDGES: .003/.015 [0.076/.381] X 45° CORNER FILLETS: R.02 [51] MACHINED SURFACES: 200 INCH/mm 5.1			
mm SHOWN IN [BRACKETS]			

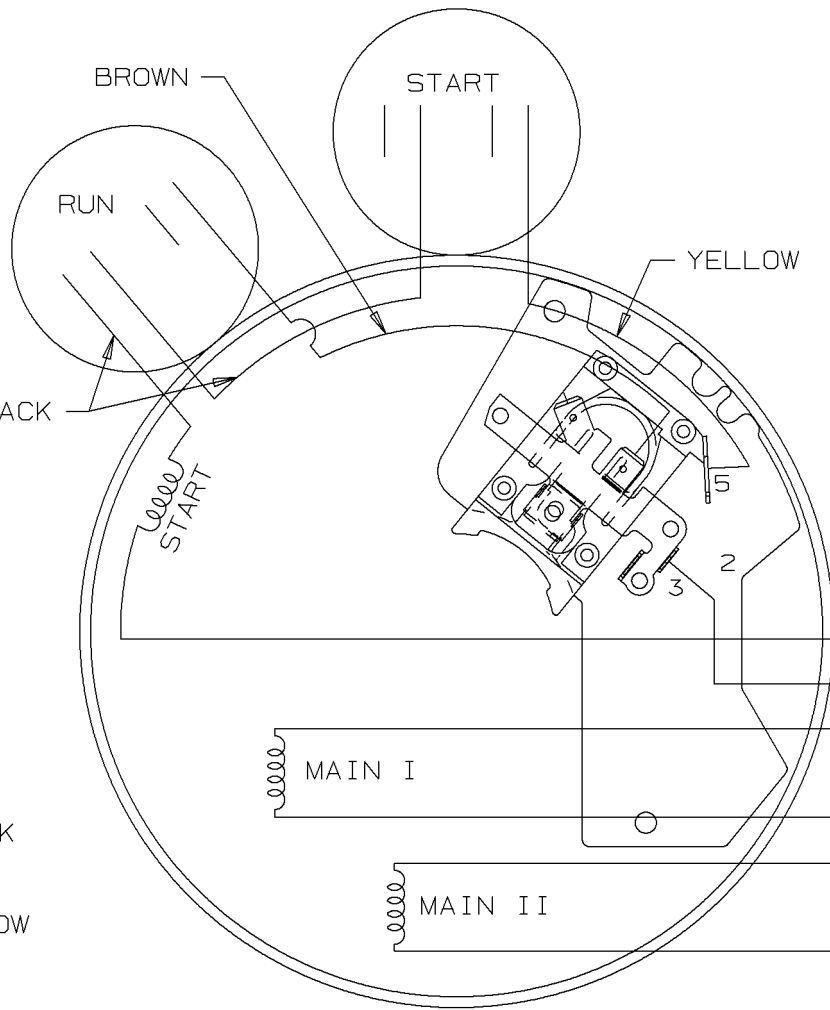
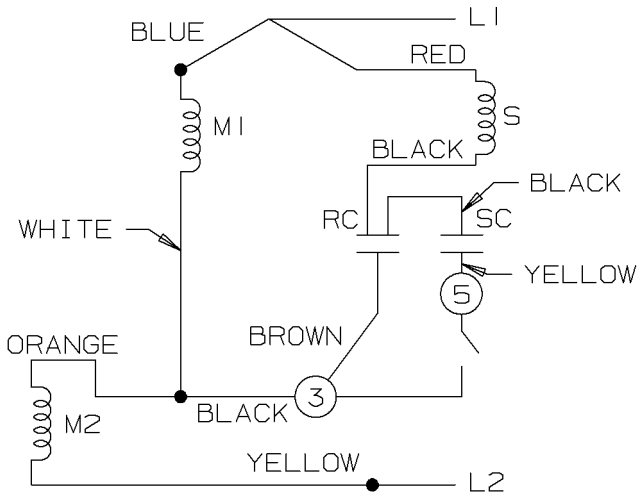
DRAWN BY TJB	DATE 11-30-1999
APPROVED BY GK	DATE 12-1-1999
REFERENCE 100099	THIRD ANGLE PROJECTION

Regal Beloit America, Inc.	
DESCRIPTION OUTLINE 56 FR.-BB-TEFC-C-FACE-1Ø	
MATERIAL	PROCESS/FINISH
SIZE B	DRAWING NUMBER 100099LN
SHEET 1 OF 1	

LOW VOLTAGE C.C.W.

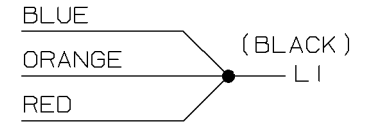


HIGH VOLTAGE C.C.W.

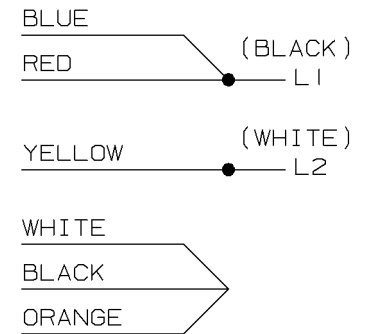


DUAL VOLTAGE CAPACITOR  
START-CAP RUN NO OVERLOAD  
SELECT ROTATION

LOW VOLTAGE C.C.W. ROTATION



HIGH VOLTAGE C.C.W. ROTATION



FOR C.W. ROTATION,  
EITHER VOLTAGE,  
INTERCHANGE RED WITH  
BLACK LEAD

					✓ UNLESS OTHERWISE SPECIFIED DIMENSIONS ARE IN INCHES TOL. ON XX± XXX±.005 XXXX±.0005 ANGLES± 7'30"		
						MAX. SURFACE ROUGHNESS UNLESS OTHERWISE NOTED	DRAWN BY BLR 09-29-1999 CHKD BY DRS 09-29-1999
1	09-29-1999	NEW DRAWING	BLR		MATERIAL	APPD BY GK 09-29-1999	
REV	DATE	CHANGE	NAME	PART NAME	CONNECTION DIAGRAM		DRWG NO A-102006-51-LN

PURCHASED

CADD FILE NO.

102006-51-LN



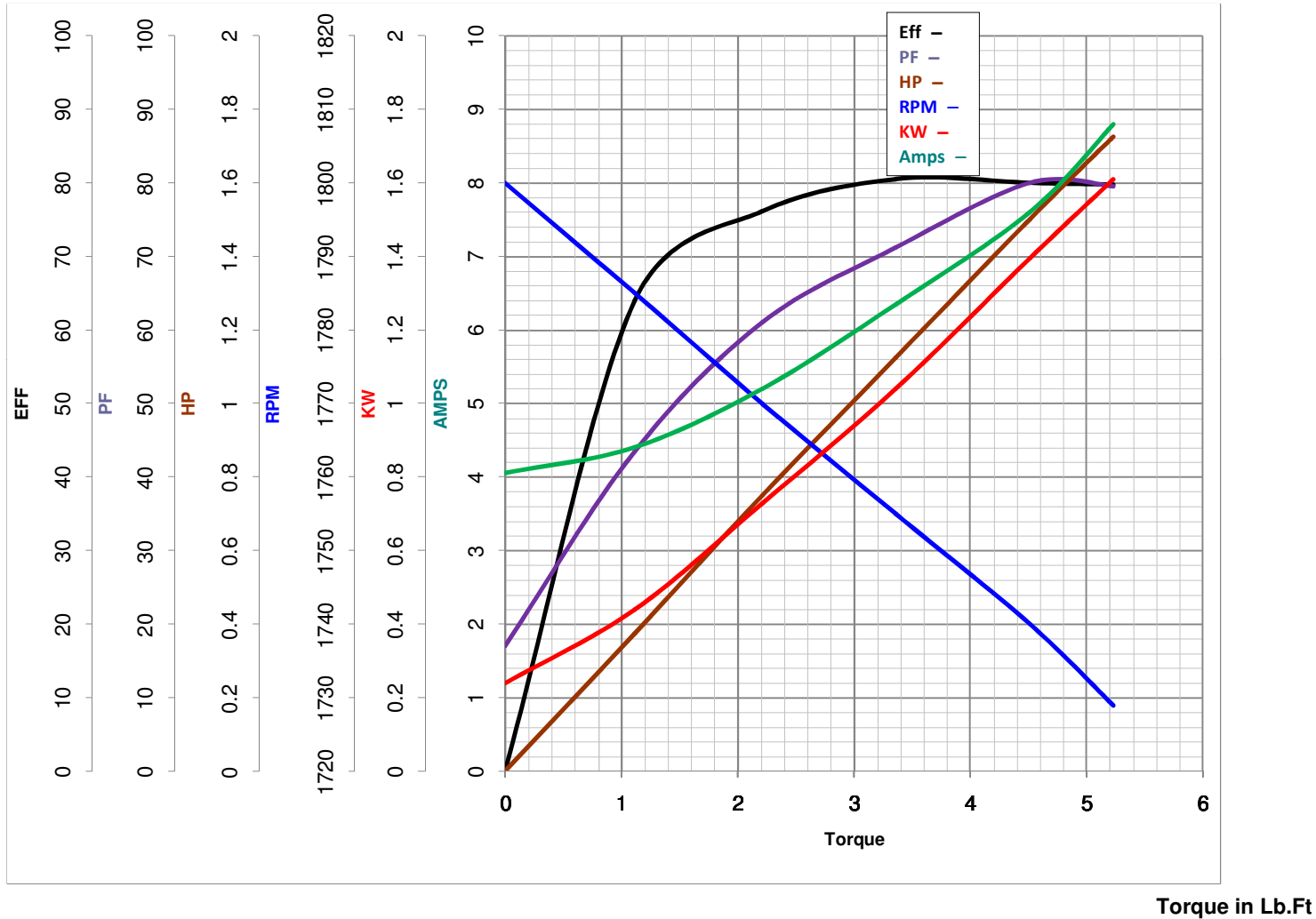
**LEESON ELECTRIC CORPORATION**  
 TYPICAL PERFORMANCE CURVE for AC MOTOR

Model No LM24622

Curve at 230 Volts      HP 1.50      PHASE 1  
60 HZ  
1.5 HP      VOLTS 115/208-230

Catalog No LM24622D

HZ 60      RPM 1725



FL TORQUE 4.51 Lb.Ft  
 BD TORQUE 12.4 Lb.Ft  
 LR TORQUE 14.8 Lb.Ft

FL AMPS 15.2/8.2-7.6  
 PU TORQUE 12.6 Lb.Ft  
 LR AMPS 53.8

WINDING ZB406-3

Date 3/21/2018