

PRODUCT INFORMATION PACKET



Model No: SRF4S0.75TLCN1C6028

Catalog No: LM24613

3/4..1800.56C.TEFC.115/208-230.1.60....1.15...SRF4S0.75TLCN1C6028

Totally Enclosed Fan Cooled (TEFC)



Regal and Leeson are trademarks of Regal Beloit Corporation or one of its affiliated companies.

©2018 Regal Beloit Corporation, All Rights Reserved. MC017097E





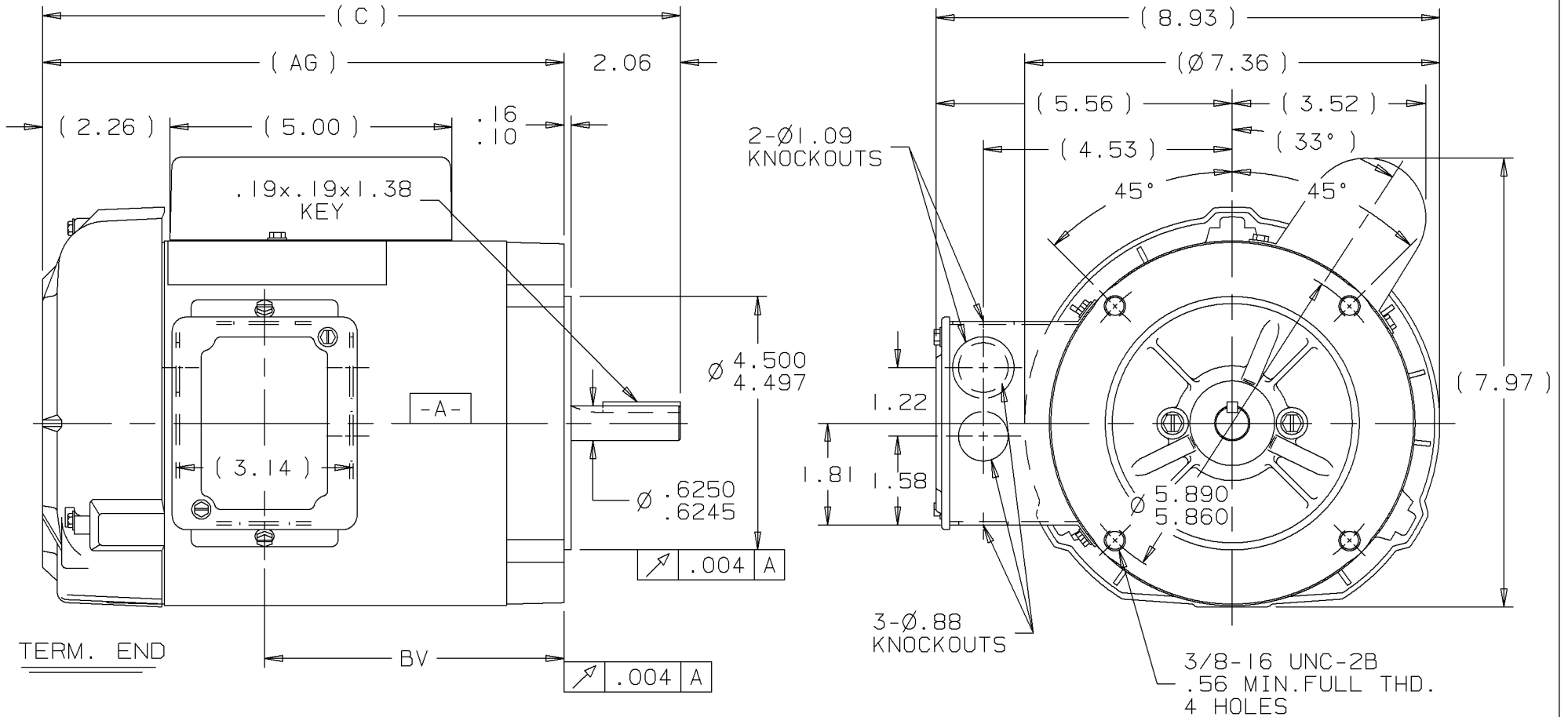
Nameplate Specifications

Output HP	0.75 Hp	Output KW	0.56 kW
Frequency	60 Hz	Voltage	115/208-230 V
Current	11.0/5.4-5.5 A	Speed	1725 rpm
Service Factor	1.15	Phase	1
Efficiency	70.5 %	Duty	Continuous
Insulation Class	B	Design Code	NO DESIGN CODE
KVA Code	L	Frame	56C
Enclosure	Totally Enclosed Fan Cooled	Overload Protector	No
Ambient Temperature	40 °C	Drive End Bearing Size	6203
Opp Drive End Bearing Size	6203	UL	Recognized
CSA	Y	CE	Y
IP Code	43		

Technical Specifications

Electrical Type	Capacitor Start Induction Run	Starting Method	Across The Line
Poles	4	Rotation	Selective Counterclockwise
Mounting	Round	Motor Orientation	HORIZONTAL
Drive End Bearing	BALL	Opp Drive End Bearing	BALL
Frame Material	Rolled Steel	Shaft Type	T
Overall Length	12.32 in	Frame Length	7.06 in
Shaft Diameter	0.625 in	Shaft Extension	1.88 in
Assembly/Box Mounting	F1 ONLY		
Outline Drawing	A-100098LN-706	Connection Diagram	102005-51-LN

This is an uncontrolled document once printed or downloaded and is subject to change without notice. Date Created: 10/15/2018

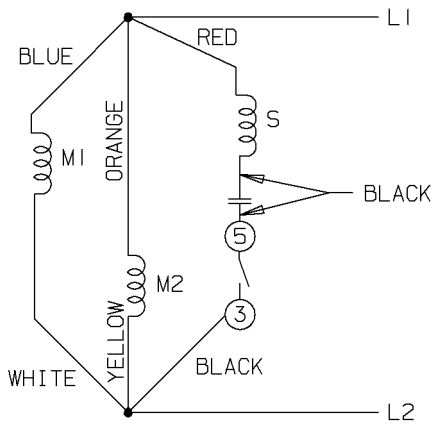


DASH	FR.	C	AG	BV	DASH	FR.	C	AG	BV
					806	56-80	13.32	11.25	7.31
656	56-65	11.82	9.75	5.81	856	56-85	13.82	11.75	7.81
706	56-70	12.32	10.25	6.31	906	56-90	14.32	12.25	8.31
756	56-75	12.82	10.75	6.81	956	56-95	14.82	12.75	8.81

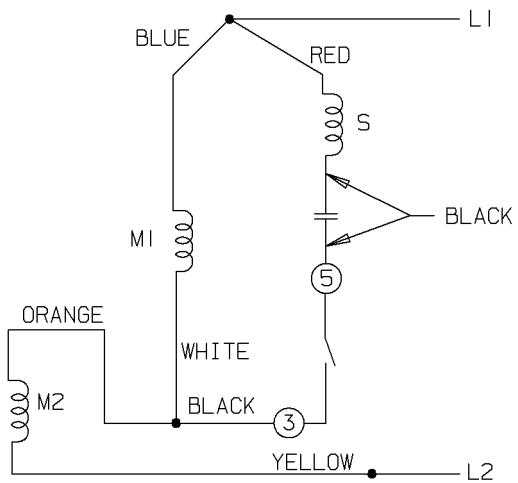
- NOTES:
 1. CONDUIT BOX CAN BE ROTATED 180°.
 2. NAMEPLATE READ FROM CONDUIT BOX SIDE OF MOTOR.

				Lincoln MOTORS				UNLESS OTHERWISE SPECIFIED DIMENSIONS ARE IN INCHES TOL. ON XX±.03 XXX±.005 XXXX±.0005 ANGLES± 7'30"			
				MAX. SURFACE ROUGHNESS UNLESS OTHERWISE NOTED				DRAWN BY TRB		09-09-1999	
				FINISH				CHKD BY ML		09-09-1999	
				MATERIAL				APPD BY GK		09-09-1999	
REV 09-09-1999 NEW DRAWING				TRB				PART NAME OUTLINE			
CHANGE				NAME				56 FR. - BB - TEFC - C* FACE - 1Ø			
								PURCHASED		CADD FILE NO. 100098LN	

LOW VOLTAGE - C.C.W.

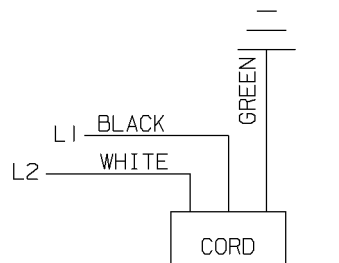
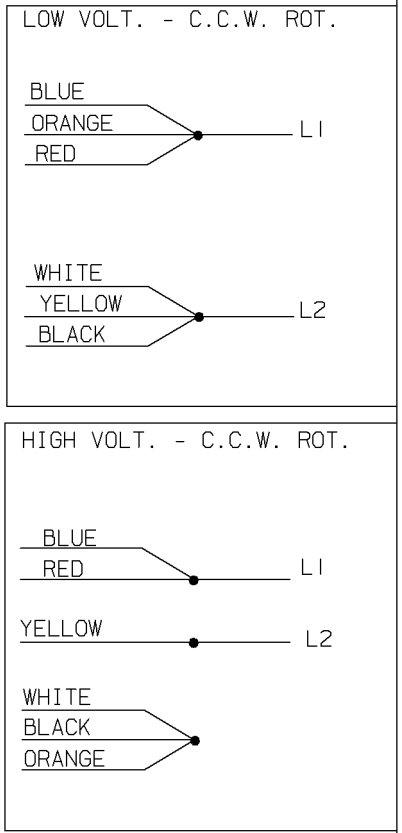
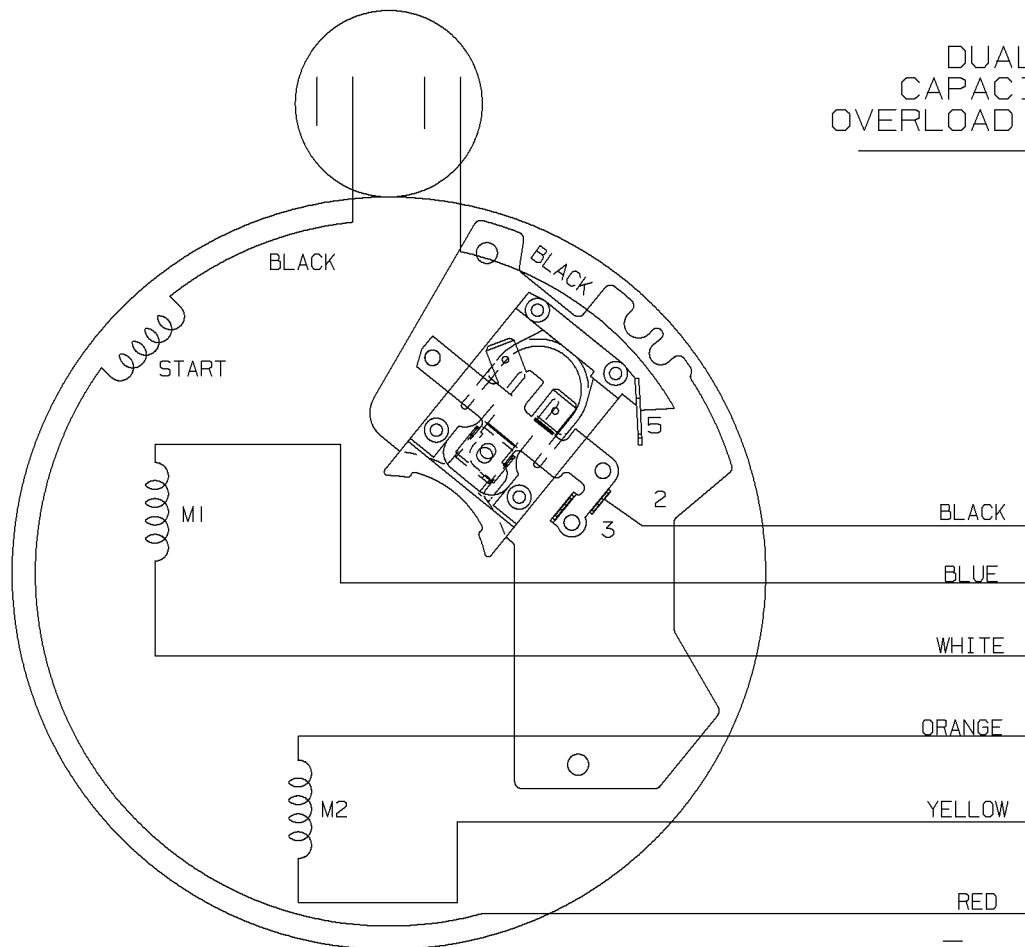


HIGH VOLTAGE - C.C.W.



A-102005-51-LN

DUAL VOLTAGE
CAPACITOR START NO
OVERLOAD SELECT ROTATION



FOR C.W. ROTATION EITHER
VOLTAGE INTERCHANGE
RED WITH BLACK LEAD

2	05-21-2001	ADDED VIEW OF CORD	MU37277	HLB		✓ MAX. SURFACE ROUGHNESS UNLESS OTHERWISE NOTED FINISH MATERIAL	UNLESS OTHERWISE SPECIFIED DIMENSIONS ARE IN INCHES TOL. ON XX±.02 XXX±.005 XXXX±.0005 ANGLES± 7'30"		DRAWN BY	BLR	09-29-1999	
1	09-29-1999	NEW DRAWING		BLR			CHKD BY	DRS	09-29-1999	APPD BY	GK	09-29-1999
REV	DATE	CHANGE	NAME	PART NAME			CONNECTION DIAGRAM		DRWG NO	A-102005-51-LN		

