

PRODUCT INFORMATION PACKET



Model No: LM24602

Catalog No: LM24602

0.33 HP General Purpose Motor, 1 phase, 1800 RPM, 115/208-230 V, 56 Frame, TEFC
Single Phase TEFC Motors



Regal and Leeson are trademarks of Regal Beloit Corporation or one of its affiliated companies.
©2019 Regal Beloit Corporation, All Rights Reserved. MC017097E

The Regal logo is located in the bottom right corner. It features the word "REGAL" in a white, sans-serif font, set against a dark grey, trapezoidal background. The background of the entire page on the right side is a blue gradient with a halftone dot pattern.



Nameplate Specifications

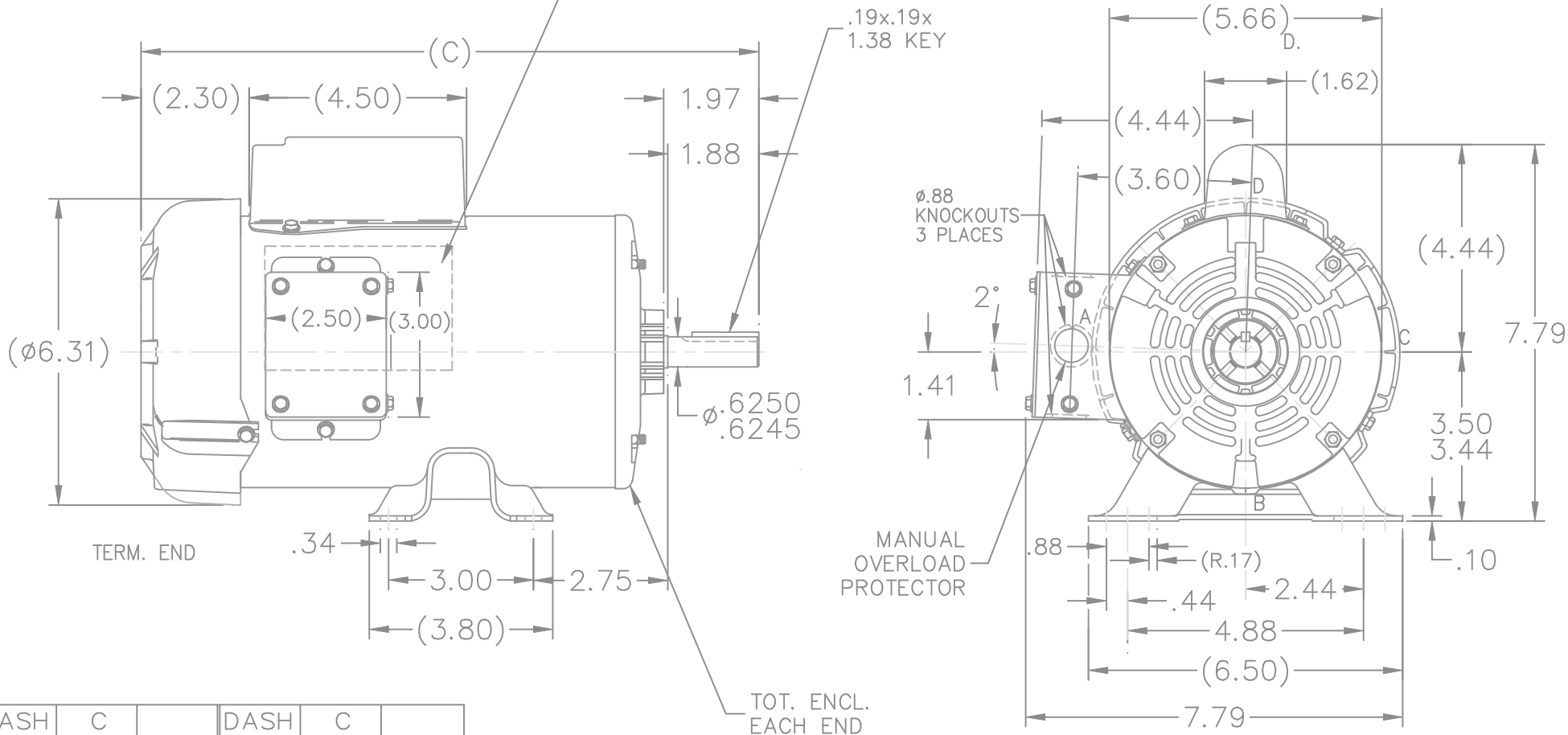
Output HP	0.33 Hp	Output KW	0.25 kW
Frequency	60 Hz	Voltage	115/208-230 V
Current	6.0/3.0-3.0 A	Speed	1725 rpm
Service Factor	1.15	Phase	1
Efficiency	61.4 %	Power Factor	61.5
Duty	Continuous	Insulation Class	B
Design Code	No Design Code	KVA Code	L
Frame	S56	Enclosure	Totally Enclosed Fan Cooled
Thermal Protection	Manual	Ambient Temperature	40 °C
Drive End Bearing Size	6203	Opp Drive End Bearing Size	6203
UL	Recognized	CSA	Y
CE	N	IP Code	43

Technical Specifications

Electrical Type	Capacitor Start Induction Run	Starting Method	Across The Line
Poles	4	Rotation	Selective Counterclockwise
Resistance Main	0 Ohms	Mounting	Rigid base
Motor Orientation	Horizontal	Drive End Bearing	Ball
Opp Drive End Bearing	Ball	Frame Material	Rolled Steel
Shaft Type	Single Special Extension	Overall Length	10.47 in
Frame Length	5.50 in	Shaft Diameter	0.625 in
Shaft Extension	1.88 in	Assembly/Box Mounting	F1 Only

This is an uncontrolled document once printed or downloaded and is subject to change without notice. Date Created:01/11/2019

NAMEPLATE LOC. .25" BELOW
CAPACITOR, .50" FROM EDGE OF FRAME
@ 'C'. READ FROM LOC. 'C'.



DASH	C	DASH	C
525	10.22	625	11.22
550	10.47		
575	10.72		

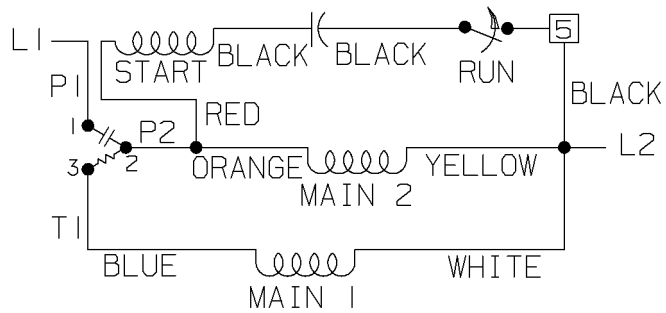
				TOLERANCES UNLESS SPECIFIED		Lincoln MOTORS	DRAWN BJW 02-17-2000				
				DEC.	INCHES		CHK	ML	02-17-2000		
				.X	±.1	TITLE OUTLINE	APPD	GK	02-17-2000	SCALE	5=16
2	NEW CONDUIT BOX	CN39440-3	RJW 01-18-2006	ML	.XXX ±.005		REF				
1	NEW DRAWING		BJW		.XXXX ±.0005	MAT'L.	FMF				
NO.	REVISION		BY & DATE	CHK	ANG	FINISH	PREV				
				RFP		CAD FILE SS75193LN	SIZE	DRAWING NO.	PAGE	OF	REV.
				DIST	WP		A	SS75193LN			2

THIS DRAWING IN DESIGN AND DETAIL IS OUR PROPERTY AND MUST NOT BE USED EXCEPT IN CONNECTION WITH OUR WORK ALL RIGHTS OF DESIGN AND INVENTION ARE RESERVED THIS IS AN ELECTRONICALLY GENERATED DOCUMENT - DO NOT SCALE THIS PRINT

10/2/2008 1:07:13 PM

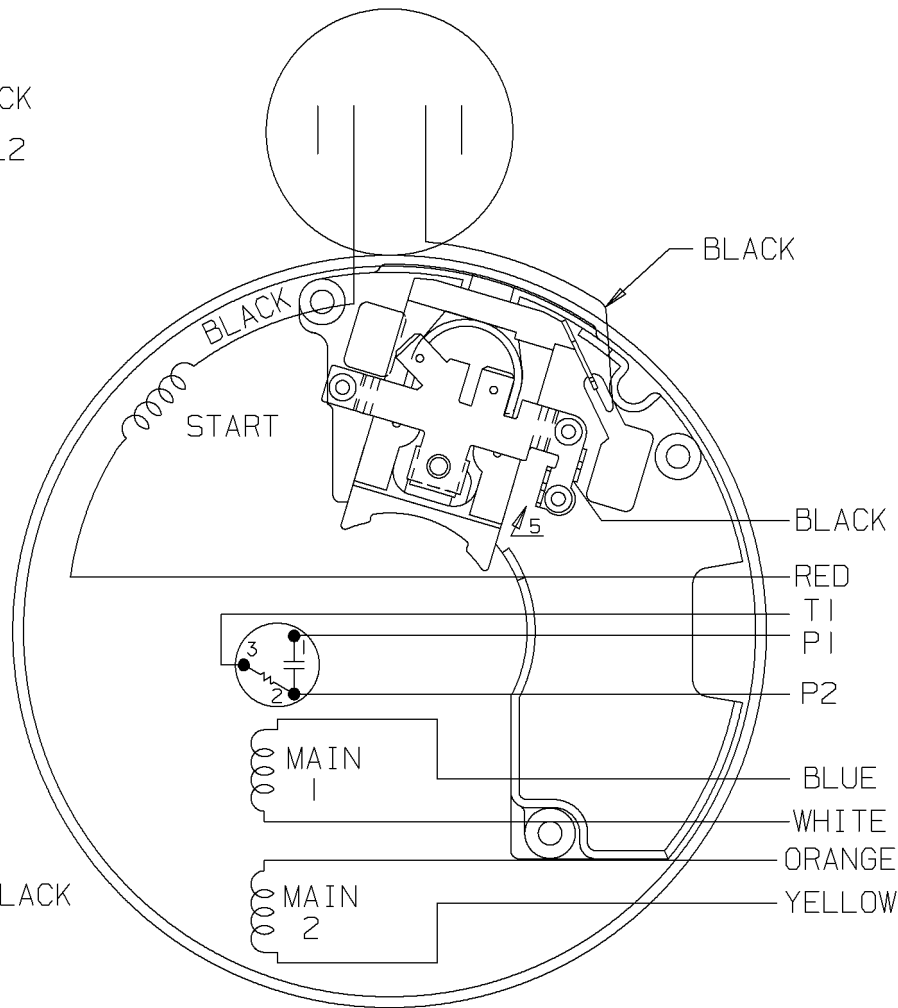
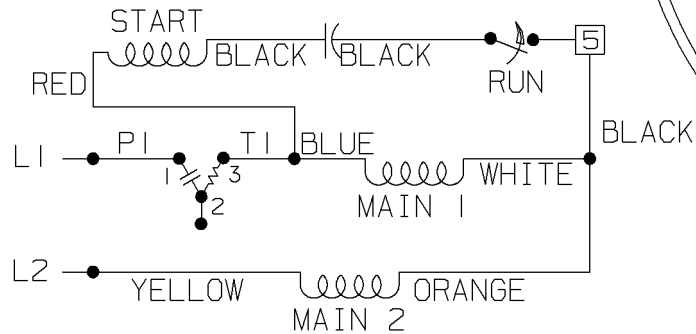
A- EE9023E-LN

LOW VOLTAGE C.C.W.



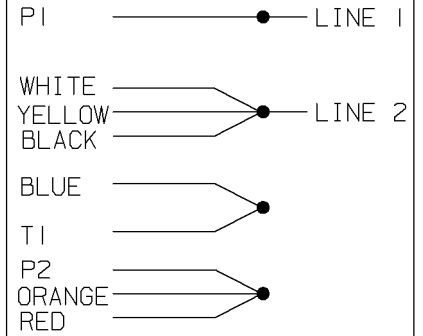
START

HIGH VOLTAGE C.C.W.

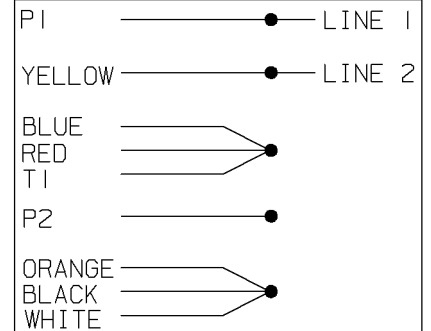


DUAL VOLTAGE
CAPACITOR START
OVERLOAD SELECT
ROTATION

LOW VOLT. CCW ROT.



HIGH VOLT. CCW ROT.



FOR CW ROT. EITHER
VOLTAGE INTERCHANGE
RED WITH BLACK LEAD.

						✓ UNLESS OTHERWISE SPECIFIED DIMENSIONS ARE IN INCHES TOL. ON XX± .02 XXX± .005 XXXX± .0005 ANGLES± 7°30"		MAX. SURFACE ROUGHNESS UNLESS OTHERWISE NOTED		DRAWN BY B JW 02-03-2000	
						FINISH		MATERIAL		CHKD BY ML 02-03-2000	
1	02-03-2000	NEW DRAWING		B JW				APPD BY GK 02-03-2000		DRWG NO A- EE9023E-LN	
REV	DATE	CHANGE		NAME		PART NAME CONNECTION DIAGRAM				DRWG NO	

PURCHASED

CADD FILE NO.

EE9023E-LN