

PRODUCT INFORMATION PACKET



Model No: SRF4S0.33TLC1C6028

Catalog No: LM24600

..1/3..1800.S56C.TEFC.115/208-230.1.60...1.15..SRF4S0.33TLC1C6028.....

Totally Enclosed Fan Cooled (TEFC)



Regal and Leeson are trademarks of Regal Beloit Corporation or one of its affiliated companies.

©2018 Regal Beloit Corporation, All Rights Reserved. MC017097E





Nameplate Specifications

Output HP	0.33 Hp	Output KW	0.25 kW
Frequency	60 Hz	Voltage	115/208-230 V
Current	6.0/3.0-3.0 A	Speed	1725 rpm
Service Factor	1.15	Phase	1
Efficiency	61.4 %	Duty	Continuous
Insulation Class	B	Design Code	NO DESIGN CODE
KVA Code	L	Frame	56CZ
Enclosure	Totally Enclosed Fan Cooled	Overload Protector	No
Ambient Temperature	40 °C	Drive End Bearing Size	6203
Opp Drive End Bearing Size	6203	UL	Recognized
CSA	Y	CE	N
IP Code	43		

Technical Specifications

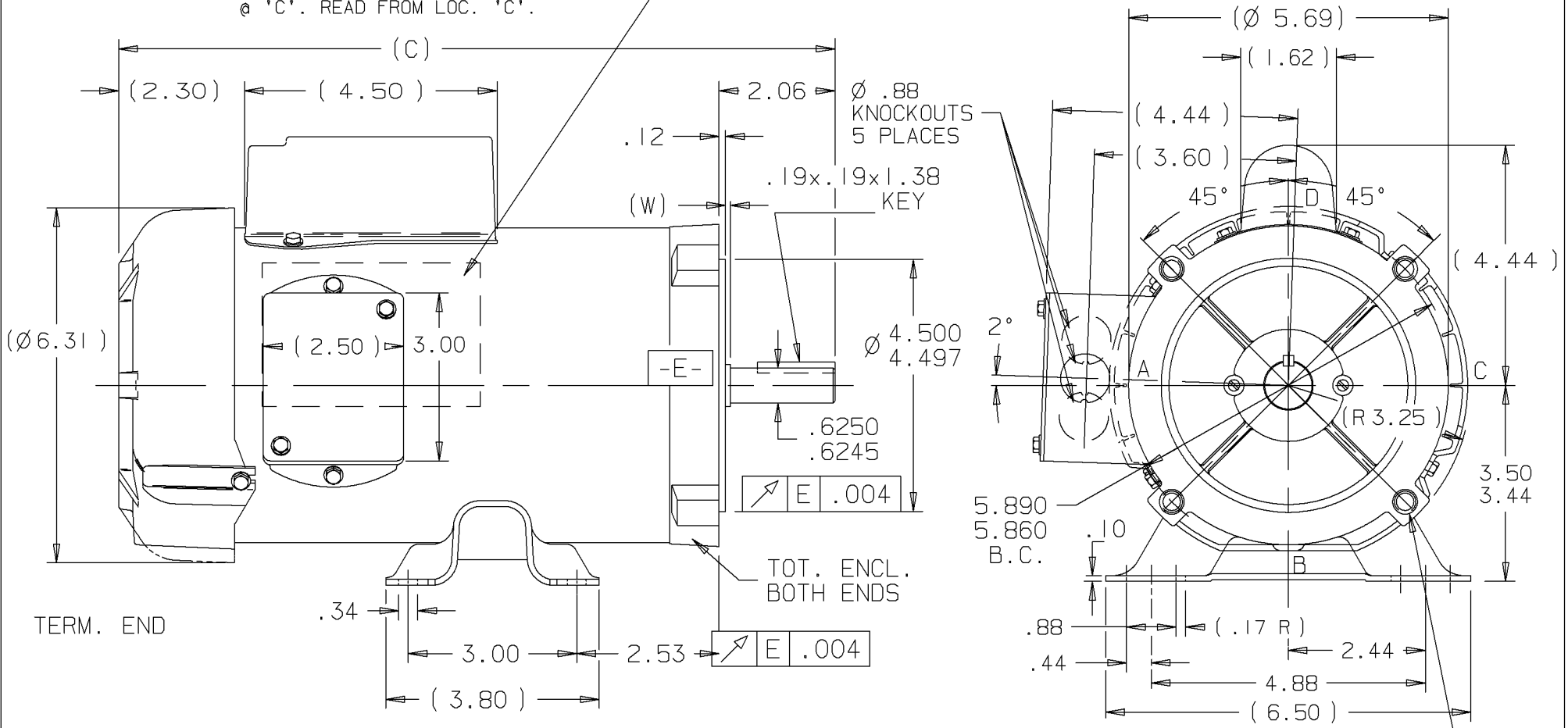
Electrical Type	Capacitor Start Induction Run	Starting Method	Across The Line
Poles	4	Rotation	Selective Counterclockwise
Mounting	Rigid base	Motor Orientation	HORIZONTAL
Drive End Bearing	BALL	Opp Drive End Bearing	BALL
Frame Material	Rolled Steel	Shaft Type	Single Special Extension
Overall Length	10.44 in	Frame Length	5.50 in
Shaft Diameter	0.625 in	Shaft Extension	1.88 in
Assembly/Box Mounting	F1 ONLY		
Outline Drawing	A-SS75181LN-550	Connection Diagram	A-EE9023D-LN

This is an uncontrolled document once printed or downloaded and is subject to change without notice. Date Created: 10/15/2018

NAMEPLATE LOC. .25" BELOW
CAPACITOR, .50" FROM EDGE OF FRAME
@ 'C'. READ FROM LOC. 'C'.

'W' = CLEARANCE ALLOWED FOR ALL VARIANCES
IN MANUFACTURING & ASSEMBLY

A-SS75181LN

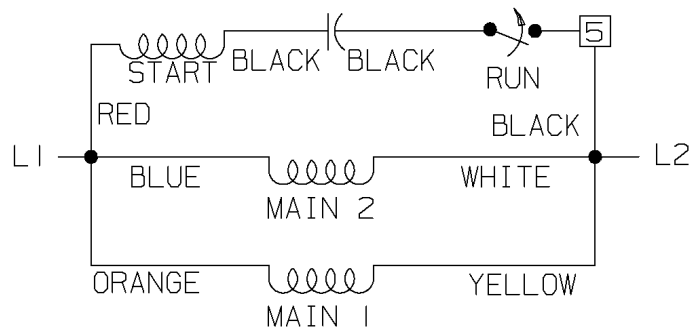


DASH		C		DASH		C	
525		10.19		625		11.19	
550		10.44					
575		10.69					

						UNLESS OTHERWISE SPECIFIED DIMENSIONS ARE IN INCHES TOL. ON XX±.02 XXX±.005 XXXX±.0005 ANGLES± 7°30"			
						MAX. SURFACE ROUGHNESS UNLESS OTHERWISE NOTED		DRAWN BY TJB 11-29-1999	
				FINISH		CHKD BY ML 11-29-1999			
				MATERIAL		APPD BY GK 11-29-1999			
				PART NAME OUTLINE				DRWG NO A-SS75181LN	
REV	DATE	CHANGE		NAME		PURCHASED		CADD FILE NO. SS75181LN	

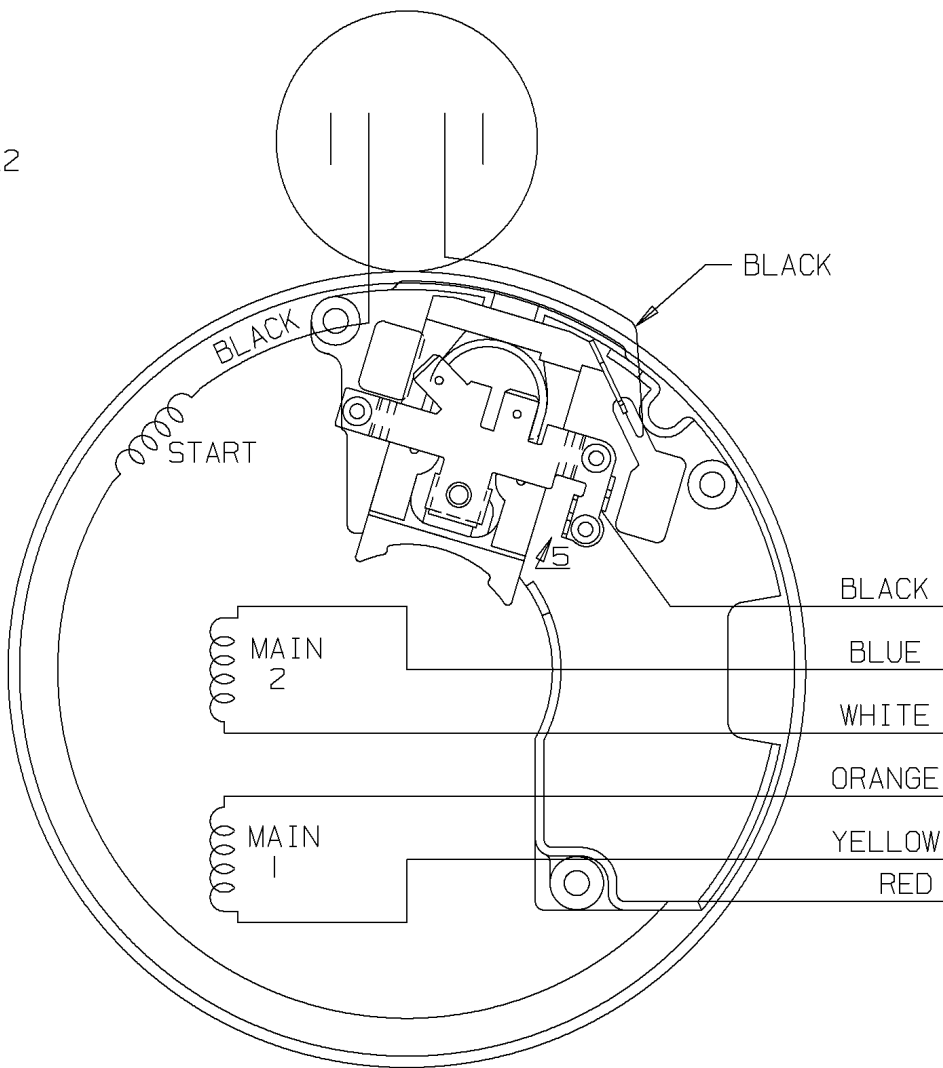
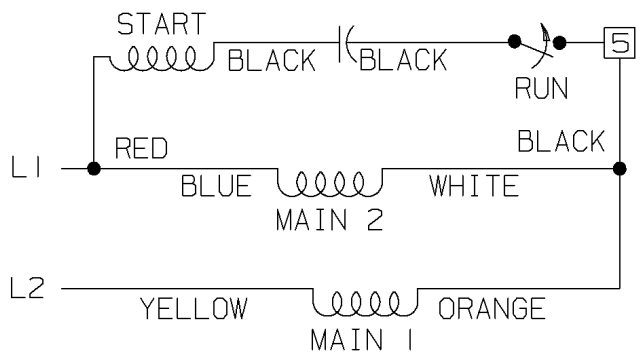
A- EE9023D

LOW VOLTAGE C.C.W.



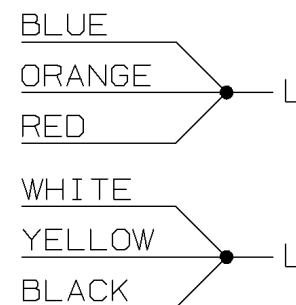
START

HIGH VOLTAGE C.C.W.

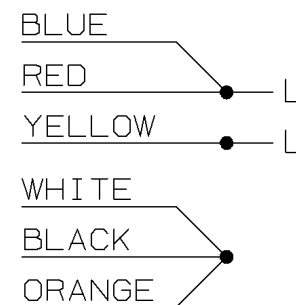


DUAL VOLTAGE
CAPACITOR START
NO OVERLOAD
SELECT ROTATION

LOW VOLT. CCW



HIGH VOLT. CCW



FOR CW ROT. EIT
VOLTAGE INTERCH
RED WITH BLACK

A-S4AF4



UNLESS OTHERWISE SPECIFIED DIMENSIONS ARE IN INCHES
TOL. ON XX± .02 XXX± .005 XXXX± .0005 ANGLES±

MAX. SURFACE ROUGHNESS
UNLESS OTHERWISE NOTED

FINISH

MATERIAL

DRAWN BY TJB 11-

CHKD BY ML 11-

APPD BY GK 11-

NEW DRAWING

TJB

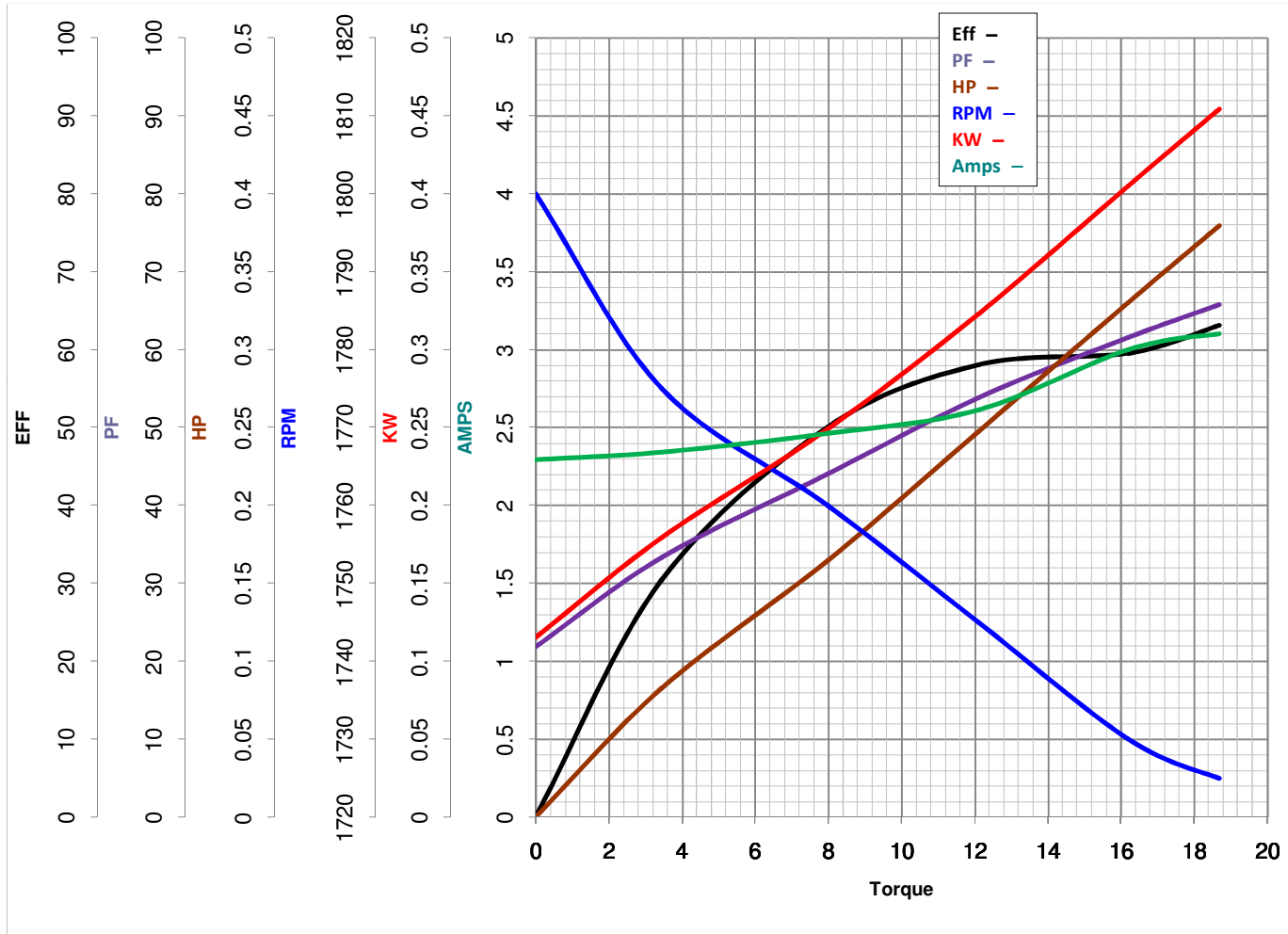


LEESON ELECTRIC CORPORATION
 TYPICAL PERFORMANCE CURVE for AC MOTOR

Model No LM24600

Catalog No LM24600B

Curve at 230 Volts HP 0.34 PHASE 1
60 HZ
0.33 HP VOLTS 115/208-230
 HZ 60 RPM 1725



Torque in Oz.Ft

FL TORQUE 16.2 Oz.Ft
 BD TORQUE 43.8 Oz.Ft
 LR TORQUE 55.8 Oz.Ft

FL AMPS 6/3-3
 PU TORQUE 43.4 Oz.Ft
 LR AMPS 14

WINDING CE484131-3

Date 3/21/2018