

PRODUCT INFORMATION PACKET



Model No: SRF4S0.5TLCN1C6028

Catalog No: LM24599

..1/2..1800.S56C.TEFC.115/208-230.1.60...1.15..SRF4S0.5TLCN1C6028.....

Totally Enclosed Fan Cooled (TEFC)



Regal and Leeson are trademarks of Regal Beloit Corporation or one of its affiliated companies.

©2018 Regal Beloit Corporation, All Rights Reserved. MC017097E





Nameplate Specifications

Output HP	0.50 Hp	Output KW	0.37 kW
Frequency	60 Hz	Voltage	115/208-230 V
Current	8.0/4.0-4.0 A	Speed	1725 rpm
Service Factor	1.15	Phase	1
Efficiency	66 %	Duty	Continuous
Insulation Class	B	Design Code	NO DESIGN CODE
KVA Code	M	Frame	56C
Enclosure	Totally Enclosed Fan Cooled	Overload Protector	No
Ambient Temperature	40 °C	Drive End Bearing Size	6203
Opp Drive End Bearing Size	6203	UL	Recognized
CSA	Y	CE	Y
IP Code	43		

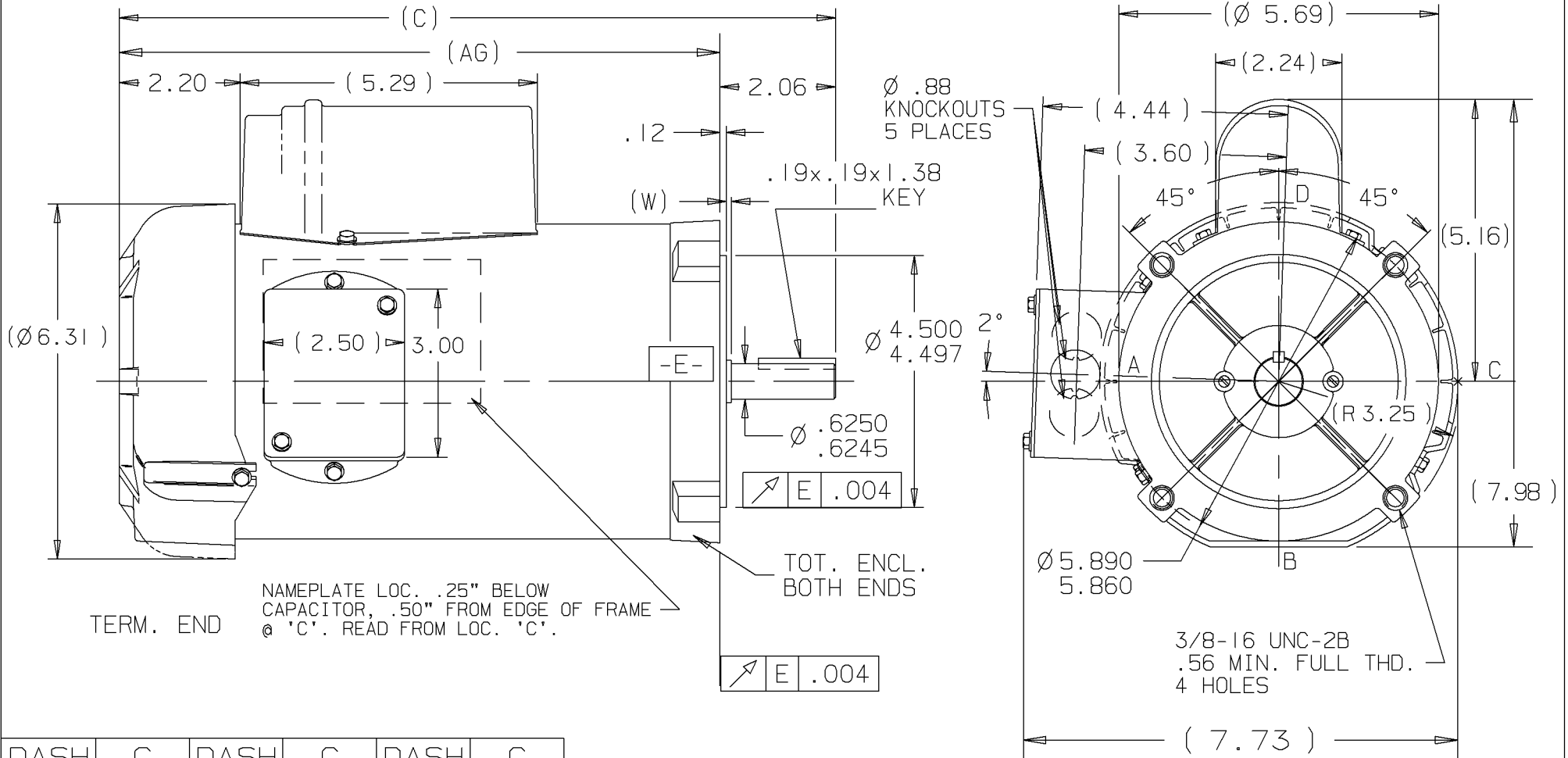
Technical Specifications

Electrical Type	Capacitor Start Induction Run	Starting Method	Across The Line
Poles	4	Rotation	Selective Counterclockwise
Mounting	Round	Motor Orientation	HORIZONTAL
Drive End Bearing	BALL	Opp Drive End Bearing	BALL
Frame Material	Rolled Steel	Shaft Type	NEMA 56
Overall Length	11.19 in	Frame Length	6.25 in
Shaft Diameter	0.625 in	Shaft Extension	1.88 in
Assembly/Box Mounting	F1 ONLY		
Outline Drawing	A-SS75179LN-625	Connection Diagram	A-EE9023D-LN

This is an uncontrolled document once printed or downloaded and is subject to change without notice. Date Created: 10/15/2018

'W' = CLEARANCE ALLOWED FOR ALL VARIANCES
IN MANUFACTURING & ASSEMBLY

A-SS75179LN

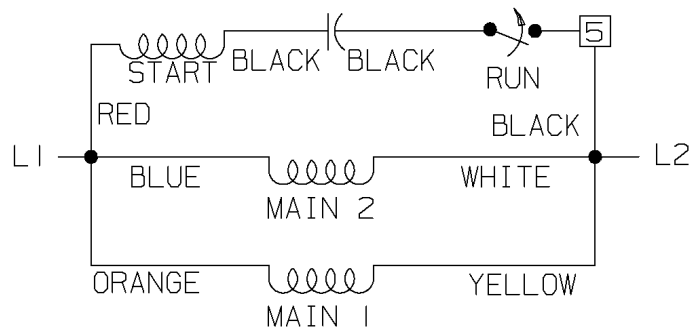


DASH	C	DASH	C	DASH	C
525	10.19	625	11.19	700	11.94
575	10.69	650	11.44	725	12.19
600	10.94	675	11.69		

							✓ UNLESS OTHERWISE SPECIFIED DIMENSIONS ARE IN INCHES TOL. ON XX±.03 XXX±.005 XXXX±.0005 ANGLES±				
							MAX. SURFACE ROUGHNESS UNLESS OTHERWISE NOTED	DRAWN BY TJB		11-03-1999	
						FINISH	CHKD BY ML		11-08-1999		
						MATERIAL	APPD BY GK		11-08-1999		
REV	DATE	CHANGE				NAME	PART NAME OUTLINE				DRWG NO A-SS75179LN
							PURCHASED		CADD FILE NO.		SS75179LN

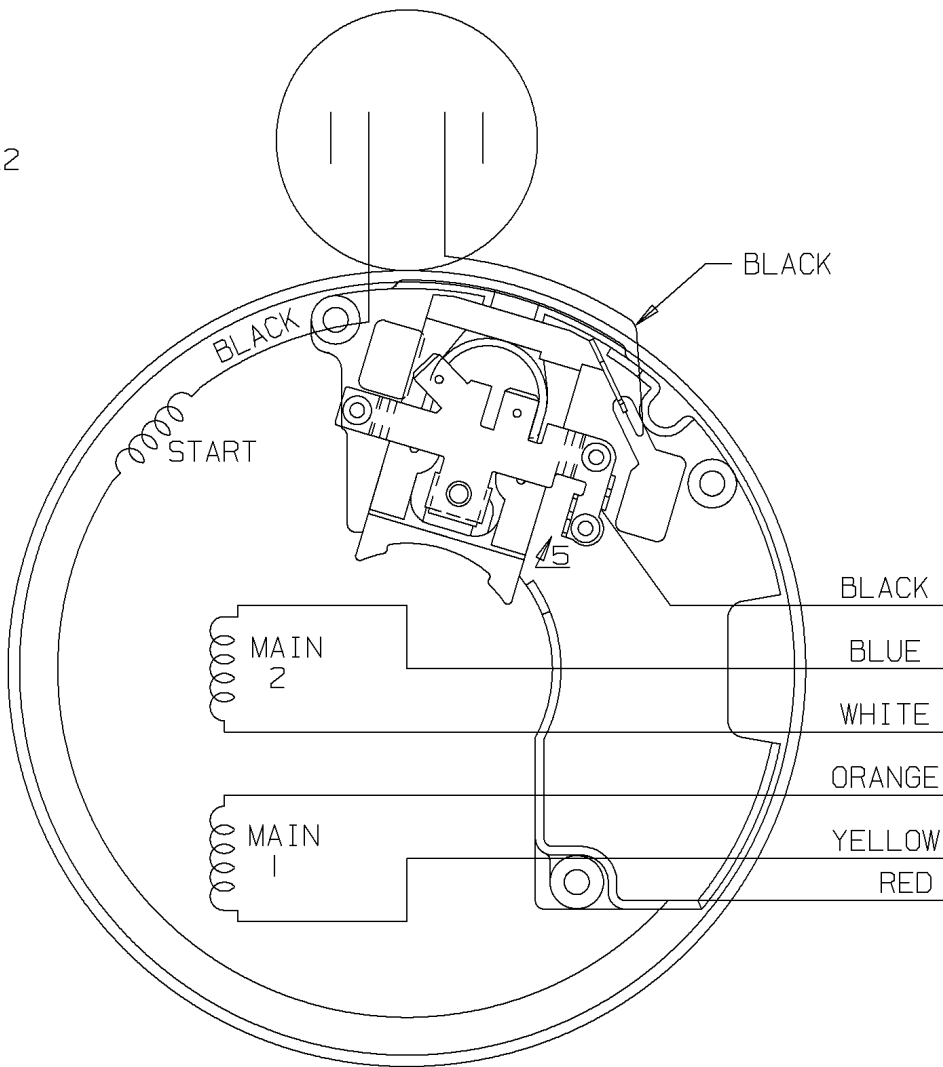
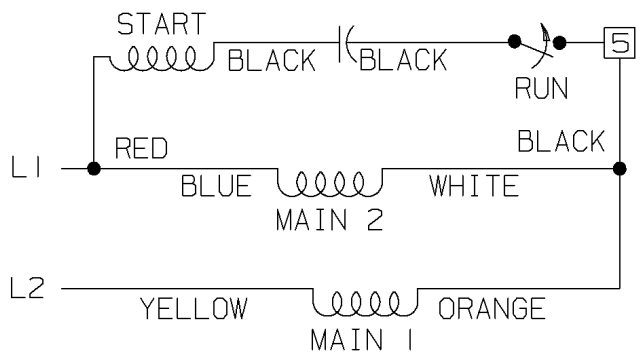
A- EE9023D

LOW VOLTAGE C.C.W.



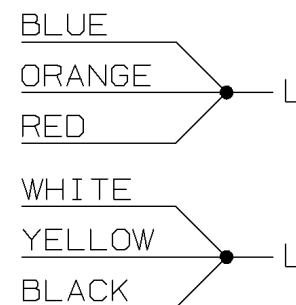
START

HIGH VOLTAGE C.C.W.

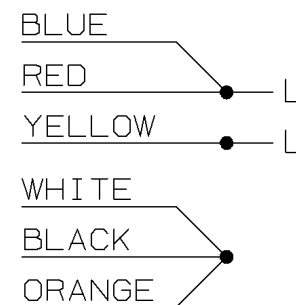


DUAL VOLTAGE
CAPACITOR ST.
NO OVERLOAD
SELECT ROTAT

LOW VOLT. CCW



HIGH VOLT. CCW



FOR CW ROT. EIT
VOLTAGE INTERCH
RED WITH BLACK

A-S4AF4



UNLESS OTHERWISE SPECIFIED DIMENSIONS ARE IN INCHES
TOL. ON XX± .02 XXX± .005 XXXX± .0005 ANGLES±

MAX. SURFACE ROUGHNESS
UNLESS OTHERWISE NOTED

FINISH

MATERIAL

DRAWN BY TJB 11-

CHKD BY ML 11-

APPD BY GK 11-

NEW DRAWING

TJB



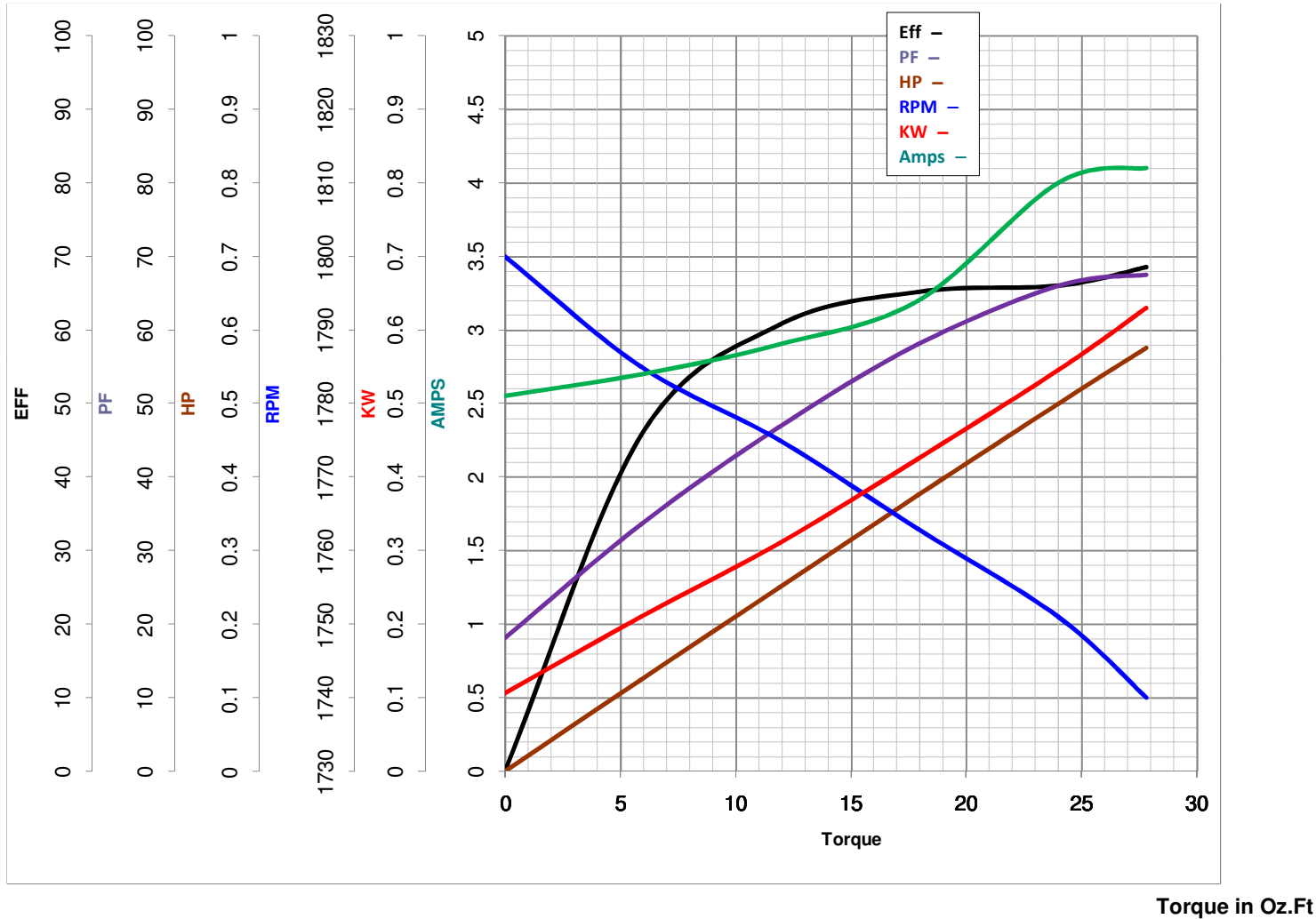
LEESON ELECTRIC CORPORATION
 TYPICAL PERFORMANCE CURVE for AC MOTOR

Model No LM24599

Curve at 230 Volts HP 0.50 PHASE 1
60 HZ
0.5 HP VOLTS 115/208-230

Catalog No LM24599B

HZ 60 RPM 1725



FL TORQUE 24 Oz.Ft
 BD TORQUE 58.5 Oz.Ft
 LR TORQUE 89 Oz.Ft

FL AMPS 8/4-4
 PU TORQUE 52.4 Oz.Ft
 LR AMPS 22

WINDING CE484132-3

Date 3/26/2018