

PRODUCT INFORMATION PACKET



Model No: SRF4S0.33TLCN1C6028

Catalog No: LM24598

..1/3..1800.S56C.TEFC.115/208-230.1.60...1.15..SRF4S0.33TLCN1C6028.....

Totally Enclosed Fan Cooled (TEFC)



Regal and Leeson are trademarks of Regal Beloit Corporation or one of its affiliated companies.

©2018 Regal Beloit Corporation, All Rights Reserved. MC017097E





Nameplate Specifications

Output HP	0.33 Hp	Output KW	0.25 kW
Frequency	60 Hz	Voltage	115/208-230 V
Current	6.0/3.0-3.0 A	Speed	1730 rpm
Service Factor	1.15	Phase	1
Efficiency	61.4 %	Duty	Continuous
Insulation Class	B	Design Code	NO DESIGN CODE
KVA Code	L	Frame	S56C
Enclosure	Totally Enclosed Fan Cooled	Overload Protector	No
Ambient Temperature	40 °C	Drive End Bearing Size	6203
Opp Drive End Bearing Size	6203	UL	Recognized
CSA	N	CE	Y
IP Code	43		

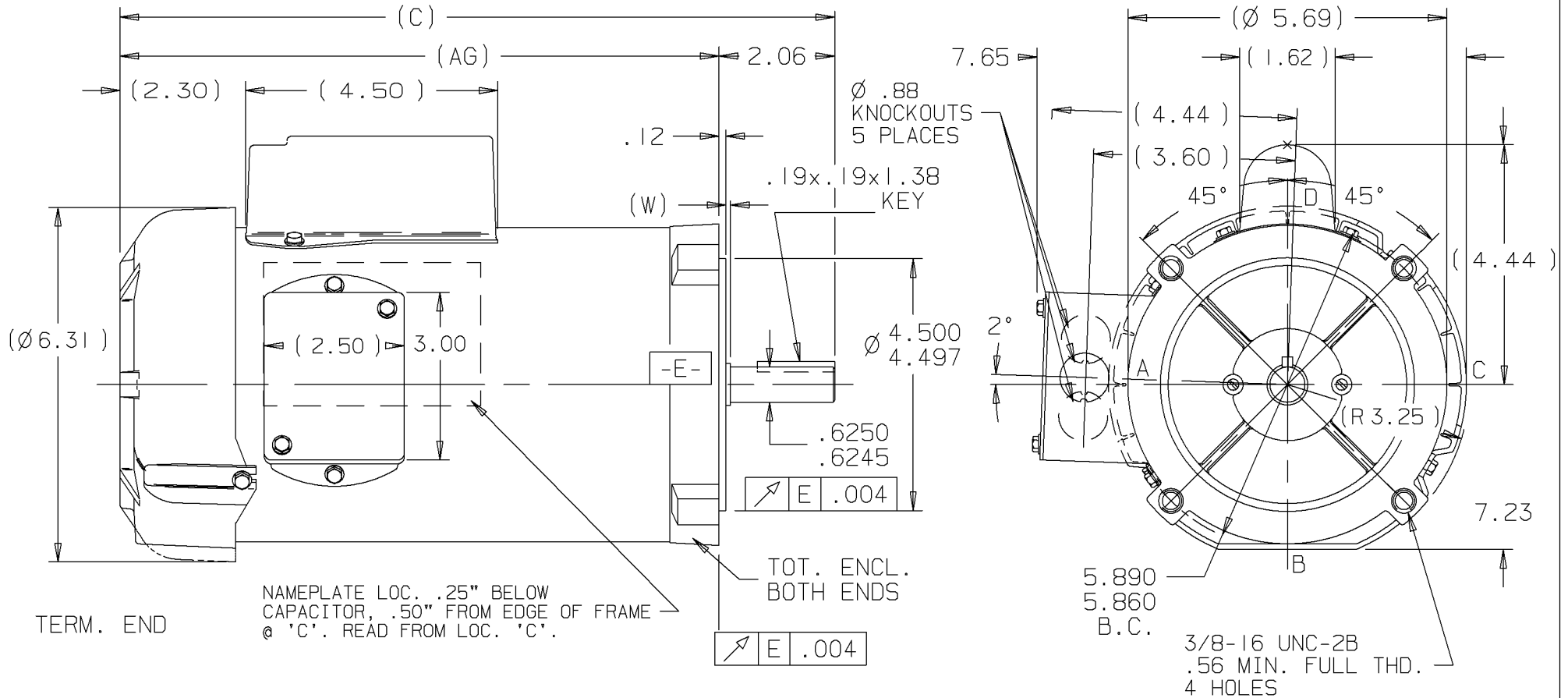
Technical Specifications

Electrical Type	Capacitor Start Induction Run	Starting Method	Across The Line
Poles	4	Rotation	Selective Counterclockwise
Mounting	Round	Motor Orientation	HORIZONTAL
Drive End Bearing	BALL	Opp Drive End Bearing	BALL
Frame Material	Rolled Steel	Shaft Type	NEMA 56
Overall Length	10.44 in	Frame Length	5.50 in
Shaft Diameter	0.625 in	Shaft Extension	1.88 in
Assembly/Box Mounting	F1 ONLY		
Outline Drawing	A-SS75176LN-550	Connection Diagram	A-EE9023D-LN

This is an uncontrolled document once printed or downloaded and is subject to change without notice. Date Created: 10/15/2018

W = CLEARANCE ALLOWED FOR ALL VARIANCES
IN MANUFACTURING & ASSEMBLY

A-SS75176LN



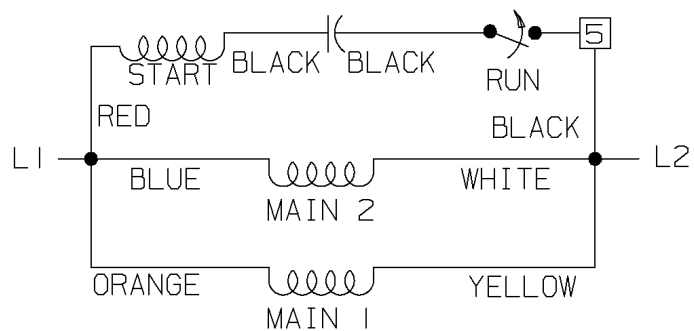
DASH	AG	C			DASH	AG	C		
525	8.13	10.19			625	9.13	11.19		
550	8.38	10.44							
575	8.63	10.69							

						UNLESS OTHERWISE SPECIFIED DIMENSIONS ARE IN INCHES TOL. ON XX±.03 XXX±.005 XXXX±.0005 ANGLES± 7'30"				
						MAX. SURFACE ROUGHNESS UNLESS OTHERWISE NOTED		DRAWN BY TJB 11-03-1999		
						FINISH		CHKD BY ML 11-08-1999		
						MATERIAL		APPD BY GK 11-08-1999		
REV	DATE	CHANGE			NAME	PART NAME OUTLINE			DRWG NO A-SS75176LN	

PURCHASED CADD FILE NO. SS75176LN

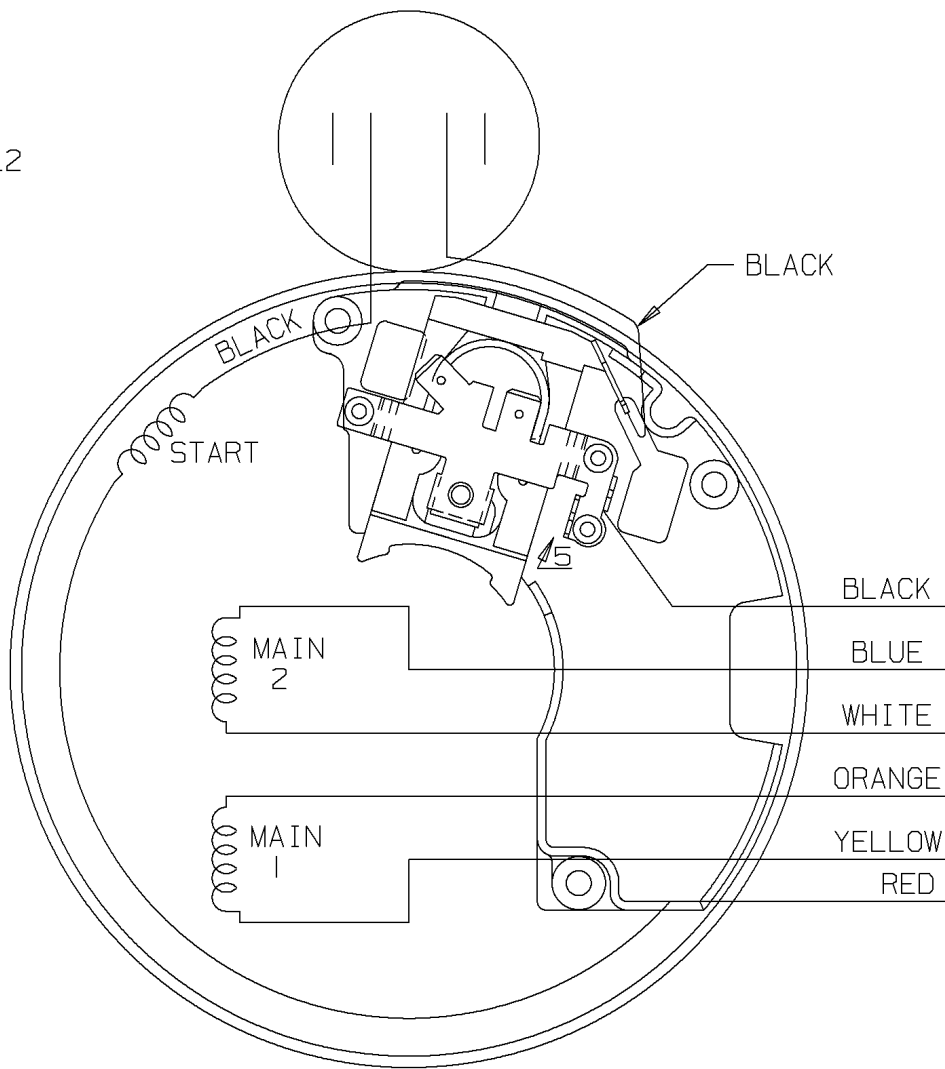
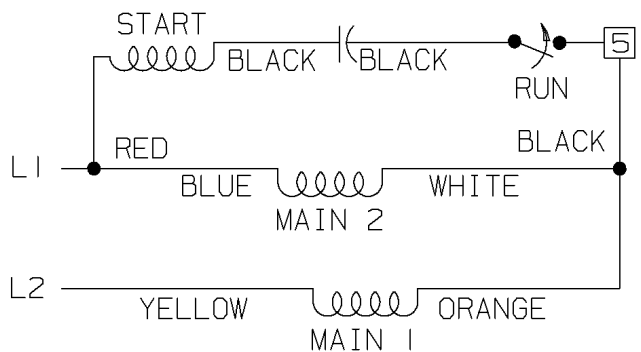
A- EE9023D

LOW VOLTAGE C.C.W.



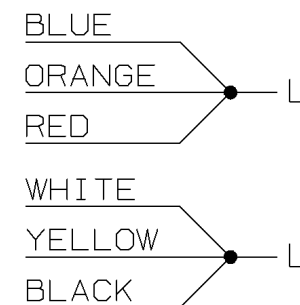
START

HIGH VOLTAGE C.C.W.

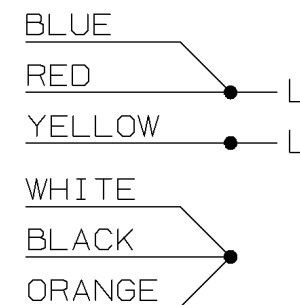


DUAL VOLTAGE
CAPACITOR ST.
NO OVERLOAD
SELECT ROTAT

LOW VOLT. CCW



HIGH VOLT. CCW



FOR CW ROT. EIT
VOLTAGE INTERCH
RED WITH BLACK

A-S4AF4



✓ MAX. SURFACE ROUGHNESS UNLESS OTHERWISE NOTED FINISH MATERIAL	UNLESS OTHERWISE SPECIFIED DIMENSIONS ARE IN INCHES TOL. ON XX± .02 XXX± .005 XXXX± .0005 ANGLES±		
	DRAWN BY TJB	11-	
	CHKD BY ML	11-	
	APPD BY GK	11-	

NEW DRAWING

TJB

