

PRODUCT INFORMATION PACKET



Model No: SRF4S0.33T1C6028

Catalog No: LM24597

..1/3..1800.S56.TEFC.115/208-230.1.60...1.15.F1.SRF4S0.33T1C6028.....

Totally Enclosed Fan Cooled (TEFC)



Regal and Leeson are trademarks of Regal Beloit Corporation or one of its affiliated companies.

©2018 Regal Beloit Corporation, All Rights Reserved. MC017097E





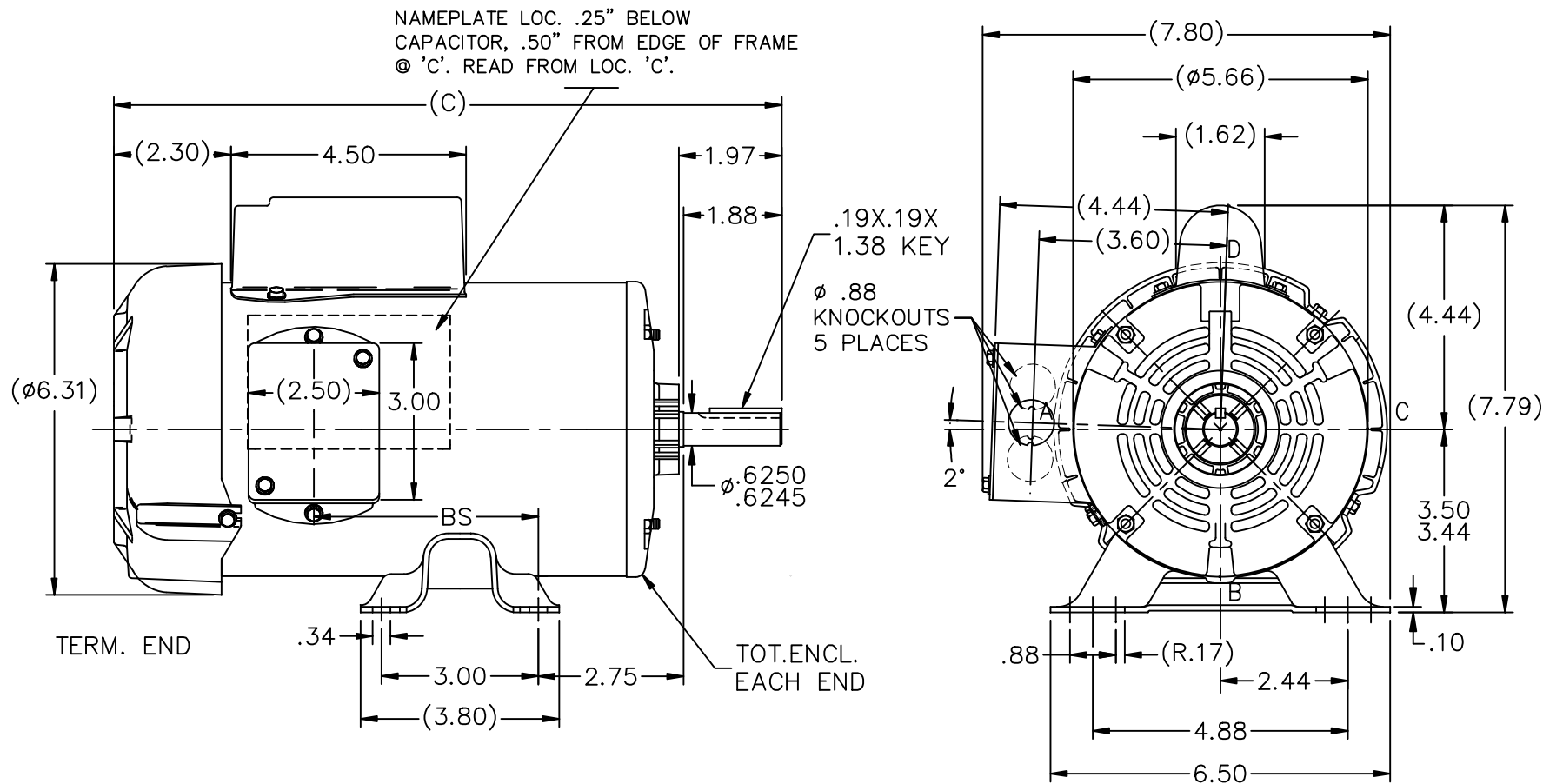
Nameplate Specifications

Output HP	0.33 Hp	Output KW	0.25 kW
Frequency	60 Hz	Voltage	115/208-230 V
Current	6.0/3.0-3.0 A	Speed	1725 rpm
Service Factor	1.15	Phase	1
Efficiency	61.4 %	Duty	Continuous
Insulation Class	B	Design Code	NO DESIGN CODE
KVA Code	L	Frame	S56
Enclosure	Totally Enclosed Fan Cooled	Overload Protector	No
Ambient Temperature	40 °C	Drive End Bearing Size	6203
Opp Drive End Bearing Size	6203	UL	Recognized
CSA	Y	CE	N
IP Code	43		


Technical Specifications

Electrical Type	Capacitor Start Induction Run	Starting Method	Across The Line
Poles	4	Rotation	Selective Counterclockwise
Mounting	Rigid base	Motor Orientation	HORIZONTAL
Drive End Bearing	BALL	Opp Drive End Bearing	BALL
Frame Material	Rolled Steel	Shaft Type	NEMA 56
Overall Length	10.47 in	Frame Length	5.50 in
Shaft Diameter	0.625 in	Shaft Extension	1.88 in
Assembly/Box Mounting	F1 ONLY		
Outline Drawing	A-SS75178LN-550	Connection Diagram	A-EE9023D-LN

This is an uncontrolled document once printed or downloaded and is subject to change without notice. Date Created: 10/15/2018



DASH	C	BS	DASH	C	BS
525	10.22	2.05	625	11.22	3.05
550	10.47	2.30			
575	10.72	2.55			

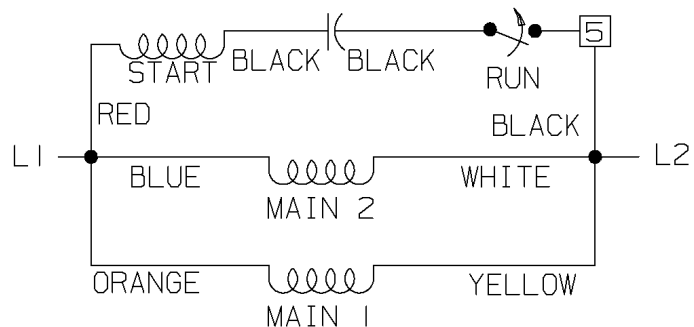
			TOLERANCES UNLESS SPECIFIED			DRAWN TRB 09-09-1999	
			DEC.	INCHES		CHK ML 09-09-1999	APPD GK 09-09-1999
			.X	±.1			SCALE 5=16
03	FRAME IN TITLTE BLOCK WAS "48" PER ISAAC 11-3382	PG 07/25/11	.XX	±.03	TITLE OUTLINE		REF
02	ADDED BS DIMENSION	TAT 11-15-2004	ML	±.005	S56 FR. - 1°		FMF
01	NEW DRAWING	TRB 09-09-1999	.XXXX	±.0005	MAT'L.		PREV
NO.	REVISION	BY & DATE	CHK	ANG	FINISH		
			RFP		CAD FILE ss75178ln	SIZE A	DRAWING NO. SS75178LN
			DIST	WP			PAGE OF 2

THIS DRAWING IN DESIGN AND DETAIL IS OUR PROPERTY AND MUST NOT BE USED EXCEPT IN CONNECTION WITH OUR WORK ALL RIGHTS OF DESIGN AND INVENTION ARE RESERVED THIS IS AN ELECTRONICALLY GENERATED DOCUMENT - DO NOT SCALE THIS PRINT

7/25/2011 8:52:18 AM

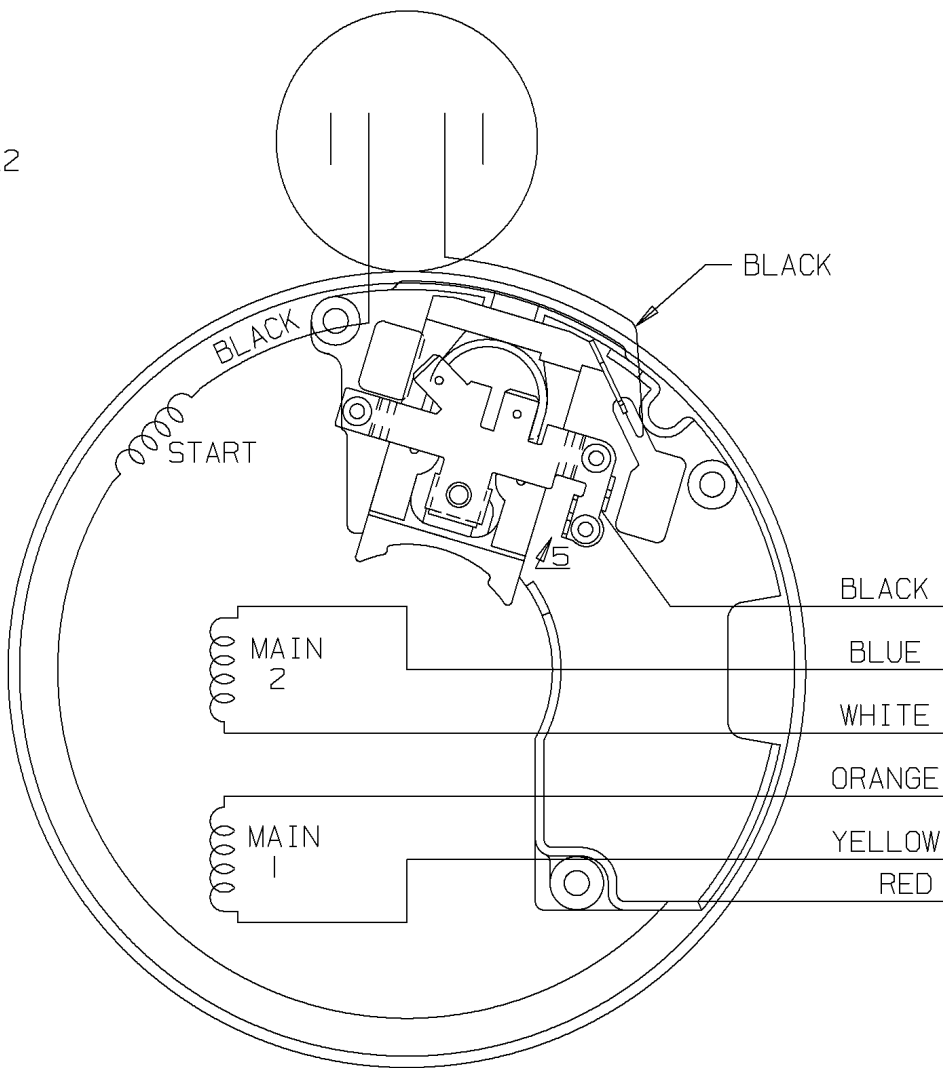
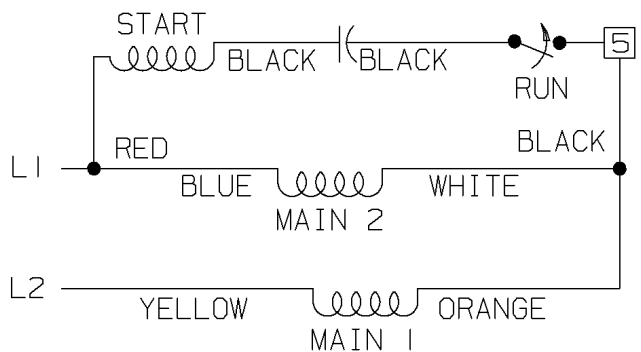
A- EE9023D

LOW VOLTAGE C.C.W.



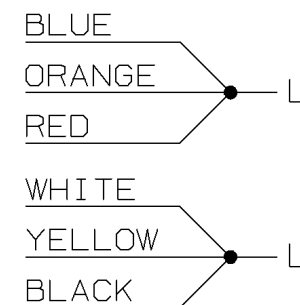
START

HIGH VOLTAGE C.C.W.

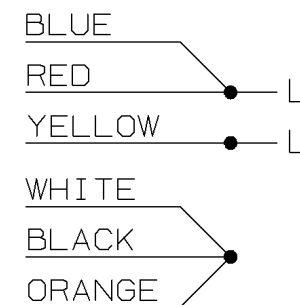


DUAL VOLTAGE
CAPACITOR ST.
NO OVERLOAD
SELECT ROTAT

LOW VOLT. CCW



HIGH VOLT. CCW



FOR CW ROT. EIT
VOLTAGE INTERCH
RED WITH BLACK

A-S4AF4



UNLESS OTHERWISE SPECIFIED DIMENSIONS ARE IN INCHES
TOL. ON XX± .02 XXX± .005 XXXX± .0005 ANGLES±

MAX. SURFACE ROUGHNESS
UNLESS OTHERWISE NOTED

FINISH

MATERIAL

DRAWN BY TJB 11-

CHKD BY ML 11-

APPD BY GK 11-

NEW DRAWING

TJB

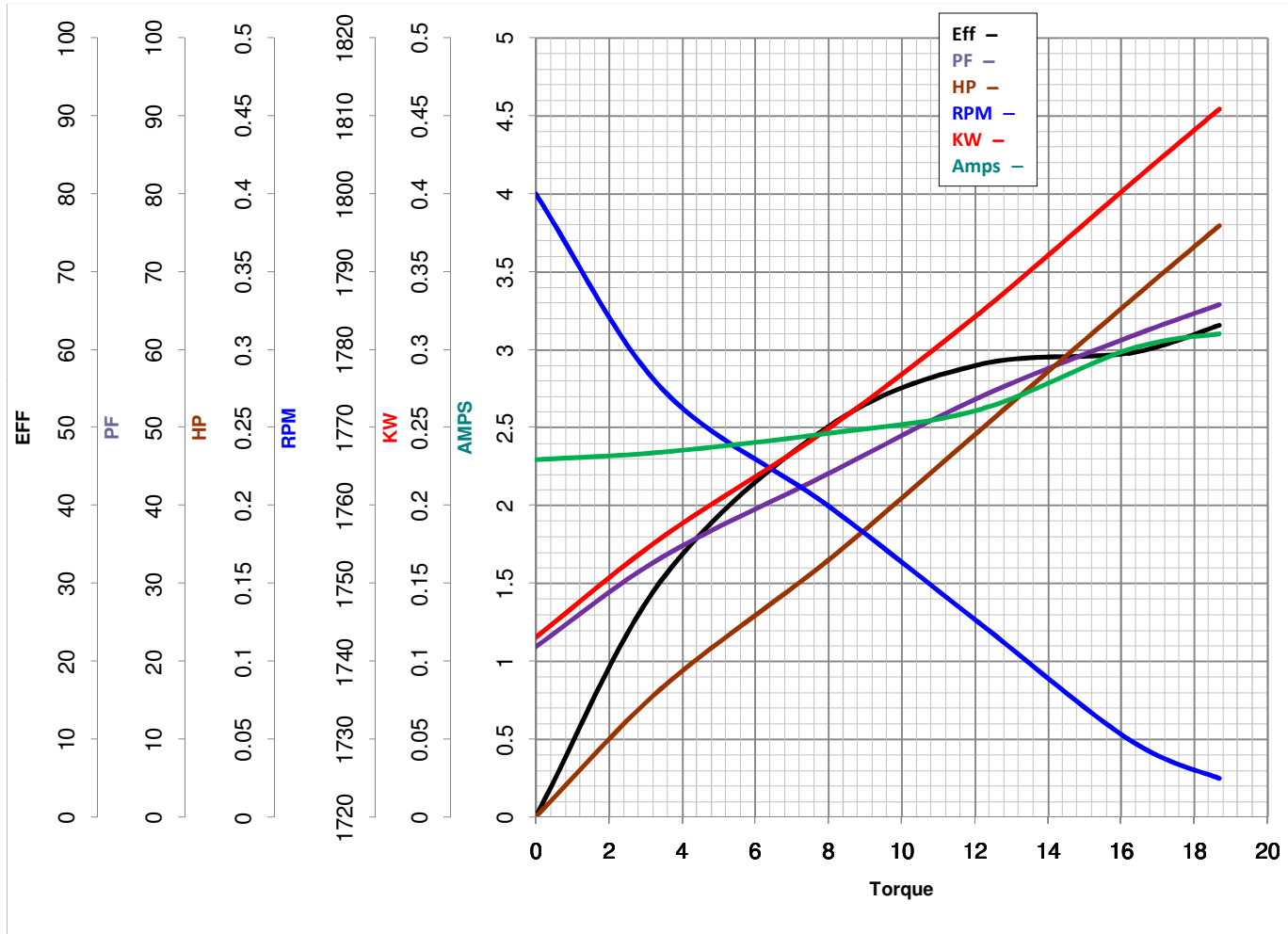


LEESON ELECTRIC CORPORATION
TYPICAL PERFORMANCE CURVE for AC MOTOR

Model No LM24597

Catalog No LM24597D

Curve at 230 Volts HP 0.34 PHASE 1
60 HZ
0.33 HP VOLTS 115/208-230
HZ 60 RPM 1725



Torque in Oz.Ft

FL TORQUE 16.2 Oz.Ft
 BD TORQUE 43.8 Oz.Ft
 LR TORQUE 55.8 Oz.Ft

FL AMPS 37.75
 PU TORQUE 43.4 Oz.Ft
 LR AMPS 14

WINDING CE484131-3

Date 4/23/2018