

PRODUCT INFORMATION PACKET



Model No: SRF6S0.33T1C6028
Catalog No: LM24546
1/3..1200.56.TEFC.115/230-460.1.60....1.15...SRF6S0.33T1C6028
Totally Enclosed Fan Cooled (TEFC)



Regal and Leeson are trademarks of Regal Beloit Corporation or one of its affiliated companies.
©2018 Regal Beloit Corporation, All Rights Reserved. MC017097E





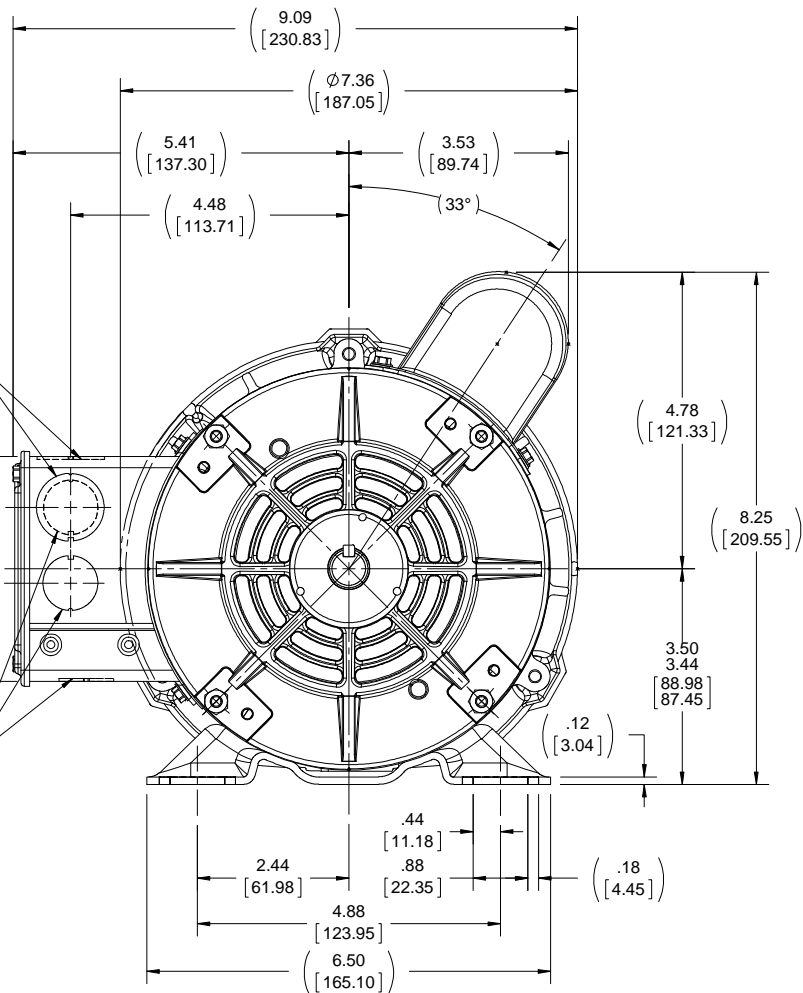
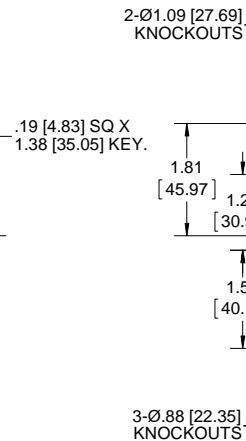
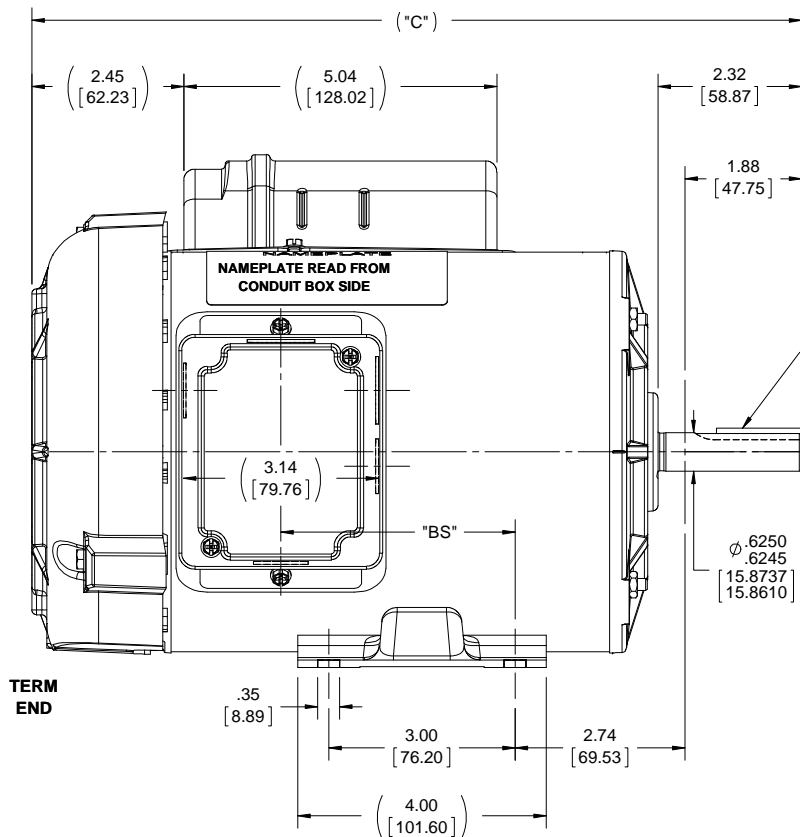
Nameplate Specifications

| | | | |
|----------------------------|------------------------------------|------------------------|----------------------|
| Output HP | 0.33 Hp | Output KW | 0.25 kW |
| Frequency | 60 Hz | Voltage | 115/208-230 V |
| Current | 7.8/3.6-3.9 A | Speed | 1140 rpm |
| Service Factor | 1.15 | Phase | 1 |
| Efficiency | 52.5 % | Duty | Continuous |
| Insulation Class | B | Design Code | N |
| KVA Code | N | Frame | 56 |
| Enclosure | Totally Enclosed Fan Cooled | Overload Protector | No |
| Ambient Temperature | 40 °C | Drive End Bearing Size | 203 |
| Opp Drive End Bearing Size | 203 | UL | Recognized |
| CSA | Y | CE | N |
| IP Code | 43 | | |

Technical Specifications

| | | | |
|-----------------------|--------------------------------------|-----------------------|-----------------------------------|
| Electrical Type | Capacitor Start Induction Run | Starting Method | Across The Line |
| Poles | 6 | Rotation | Selective Counterclockwise |
| Mounting | Rigid base | Motor Orientation | HORIZONTAL |
| Drive End Bearing | BALL | Opp Drive End Bearing | BALL |
| Frame Material | Rolled Steel | Shaft Type | NEMA 56 |
| Overall Length | 12.32 in | Frame Length | 7.06 in |
| Shaft Diameter | 0.625 in | Shaft Extension | 1.88 in |
| Assembly/Box Mounting | F1 ONLY | | |
| Outline Drawing | A-100093LN-706 | Connection Diagram | A-102005-51-LN |

This is an uncontrolled document once printed or downloaded and is subject to change without notice. Date Created: 10/15/2018



TERM END

NOTE:-
 1) CONDUIT BOX CAN BE ROTATED IN 180° STEPS.

| DASH | "C" | "BS" |
|------|----------------|---------------|
| 606 | 11.40 [298.56] | 2.77 [70.36] |
| 656 | 11.90 [302.26] | 3.27 [83.06] |
| 706 | 12.40 [314.96] | 3.77 [95.76] |
| 756 | 12.90 [327.66] | 4.27 [108.46] |

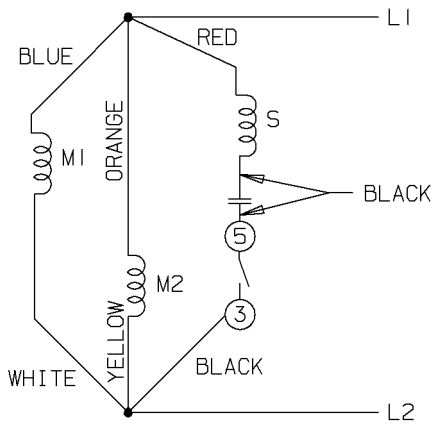
| | | |
|---|-----------------------------|--------------------|
| DRAWING REVISION C | REVISION BY A.SUPPANAVAR | DATE 02/23/2018 |
| ECO ECO-0143026 | APPROVED BY PST | DATE 04/11/2018 |
| ECO DESCRIPTION OUTLINE CONVERSION PROJECT | | |
| <small>COPYRIGHT REGAL BELOIT AMERICA, INC. ALL RIGHTS RESERVED. PROPRIETARY AND CONFIDENTIAL INFORMATION - THIS DOCUMENT IS THE PROPERTY OF REGAL BELOIT AMERICA, INC. (OWNER) AND CONTAINS OWNER'S PROPRIETARY INFORMATION. ANY PERSON, CORPORATION OR OTHER FIRM RECEIVING IT IS DEEMED, BY RECEIVING IT, TO AGREE THAT IT, AND/OR ANY PART OF IT, SHALL NOT BE DISCLOSED TO ANY PERSON, CORPORATION OR OTHER ENTITY, DUPLICATED, AND/OR USED, EXCEPT AS EXPRESSLY APPROVED IN WRITING IN ADVANCE BY OWNER. THIS DOCUMENT SHALL BE RETURNED TO OWNER UPON REQUEST. IT MAY BE SUBJECT TO CERTAIN RESTRICTIONS UNDER APPLICABLE EXPORT CONTROL LAWS AND REGULATIONS.</small> | | |

| | | | |
|--|---------|-----------|--------|
| TOLERANCES UNLESS OTHERWISE SPECIFIED: | | | |
| DEC. | INCH | mm | ANGLE |
| .X | ±0.1 | [±2.5] | ±7-30° |
| .XX | ±0.03 | [±0.76] | |
| .XXX | ±0.005 | [±0.127] | |
| .XXXX | ±0.0005 | [±0.0127] | |
| REMOVE BURRS & BREAK SHARP EDGES: .003/.015 [0.076/.381] X 45° | | | |
| CORNER FILLETS: R.02 [51] | | | |
| MACHINED SURFACES: 200 INCH 5.1 mm | | | |
| mm SHOWN IN [BRACKETS] | | | |

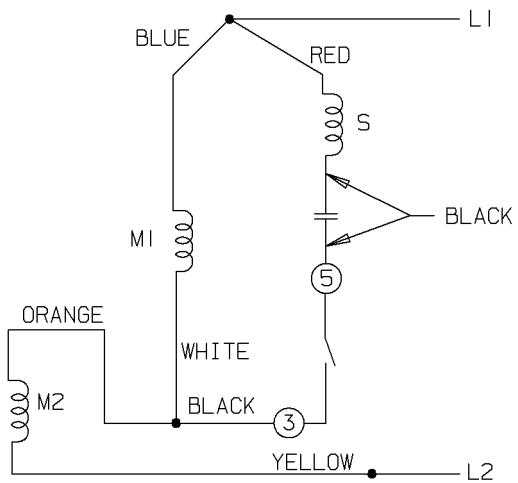
| | |
|-----------------------|------------------------|
| DRAWN BY TRD | DATE 09-09-1999 |
| APPROVED BY GK | DATE 09-09-1999 |
| REFERENCE 100093LN | THIRD ANGLE PROJECTION |

| | |
|---|----------------------------|
| Regal Beloit America, Inc. | |
| DESCRIPTION OUTLINE 56 FR.-BB-TEFC-1Ø | |
| MATERIAL | PROCESS/FINISH |
| SIZE B | DRAWING NUMBER 100093LN |
| SHEET 1 OF 1 | |

LOW VOLTAGE - C.C.W.

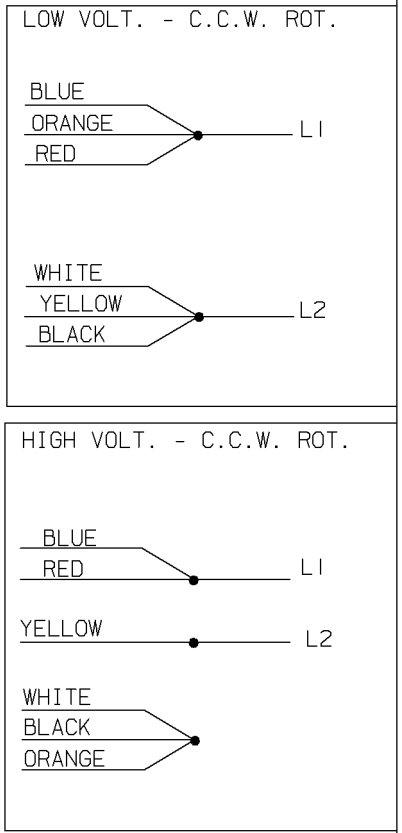
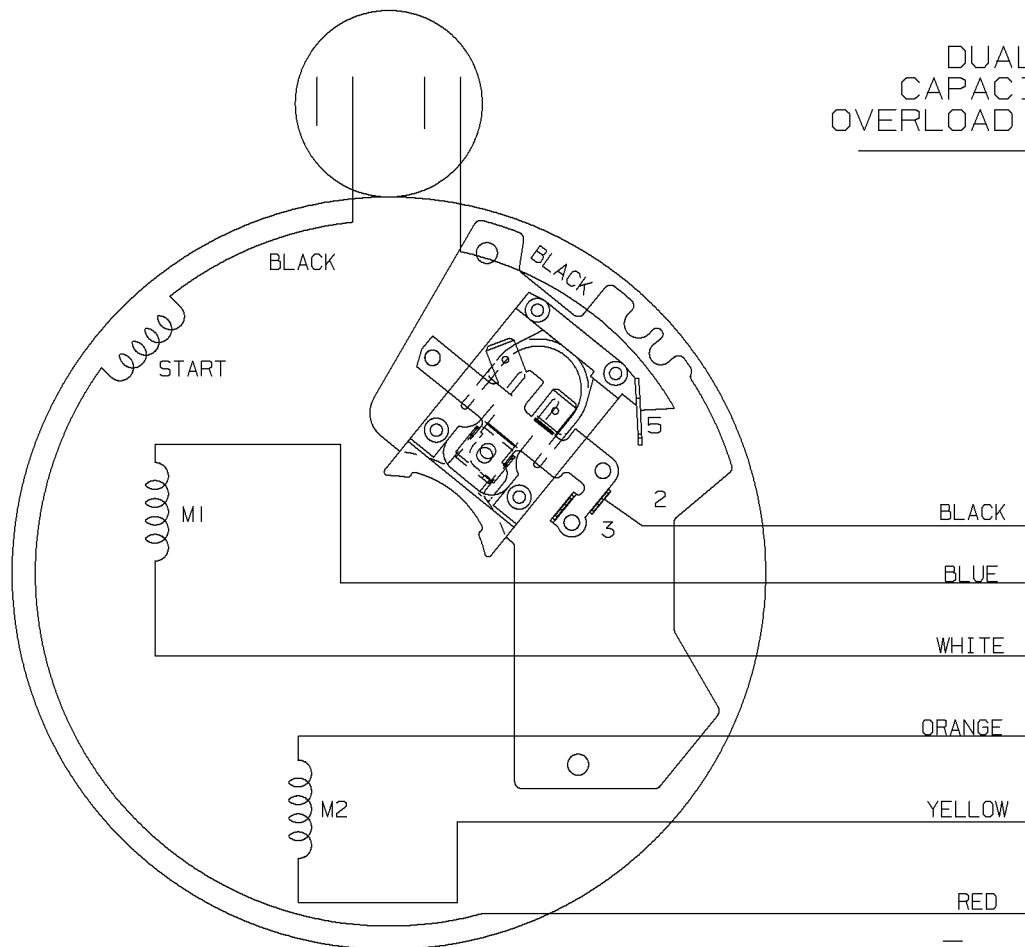


HIGH VOLTAGE - C.C.W.



A-102005-51-LN

DUAL VOLTAGE
CAPACITOR START NO
OVERLOAD SELECT ROTATION



FOR C.W. ROTATION EITHER
VOLTAGE INTERCHANGE
RED WITH BLACK LEAD

| | | | | |
|-----|------------|--------------------|---------|------|
| 2 | 05-21-2001 | ADDED VIEW OF CORD | MU37277 | HLB |
| 1 | 09-29-1999 | NEW DRAWING | | BLR |
| REV | DATE | CHANGE | | NAME |

Lincoln
MOTORS

UNLESS OTHERWISE SPECIFIED DIMENSIONS ARE IN INCHES
TOL. ON XX±.02 XXX±.005 XXXX±.0005 ANGLES± 7'30"

| | | | |
|--|----------|-----|------------|
| MAX. SURFACE ROUGHNESS UNLESS OTHERWISE NOTED | DRAWN BY | BLR | 09-29-1999 |
| FINISH | CHKD BY | DRS | 09-29-1999 |
| MATERIAL | APPD BY | GK | 09-29-1999 |

PART NAME CONNECTION DIAGRAM

DRWG NO
A-102005-51-LN

PURCHASED CADD FILE NO. 102005-51-LN

