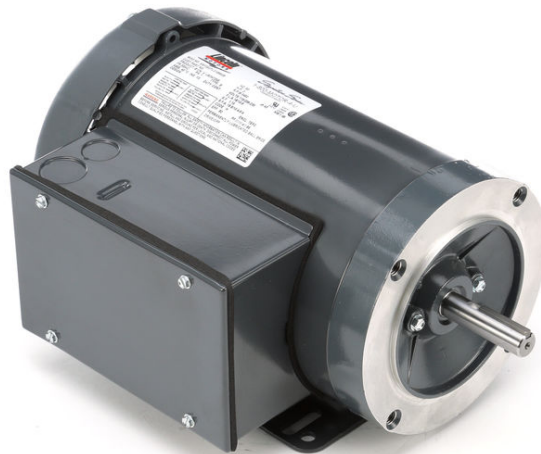


PRODUCT INFORMATION PACKET



Model No: SRF2S1.5TLC1B6028
Catalog No: LM24539
1.5,3450,TEFC,56C,1/60/115/208-230
Totally Enclosed Fan Cooled (TEFC)



Regal and Leeson are trademarks of Regal Beloit Corporation or one of its affiliated companies.
©2018 Regal Beloit Corporation, All Rights Reserved. MC017097E





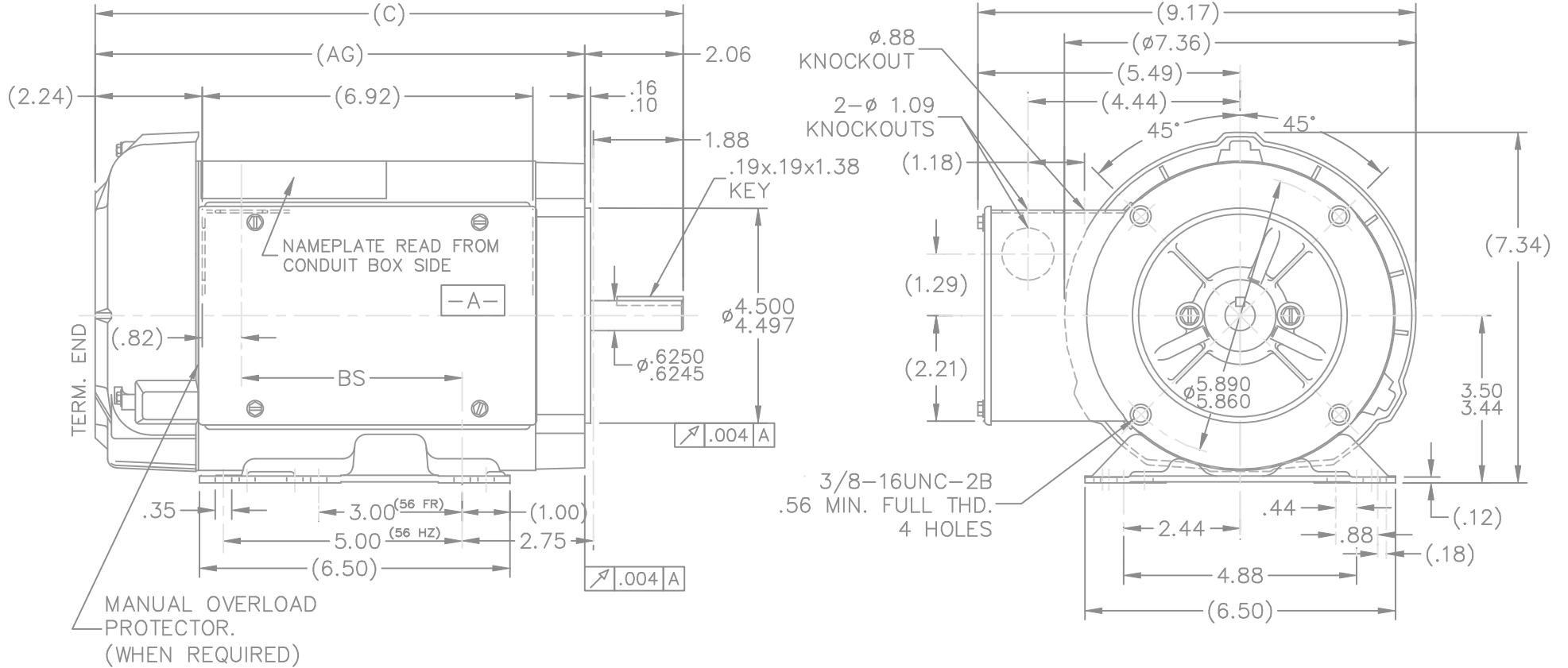
Nameplate Specifications

Output HP	1.50 Hp	Output KW	1.1 kW
Frequency	60 Hz	Voltage	115/208-230 V
Current	14.2/7.7-7.1 A	Speed	3450 rpm
Service Factor	1.15	Phase	1
Efficiency	78.5 %	Duty	Continuous
Insulation Class	B	Design Code	NO DESIGN CODE
KVA Code	H	Frame	56Z
Enclosure	Totally Enclosed Fan Cooled	Overload Protector	No
Ambient Temperature	40 °C	Drive End Bearing Size	6203
Opp Drive End Bearing Size	6203	UL	Recognized
CSA	Y	CE	N
IP Code	43		

Technical Specifications

Electrical Type	Capacitor Start Capacitor Run	Starting Method	Across The Line
Poles	2	Rotation	Selective Counterclockwise
Mounting	Rigid base	Motor Orientation	HORIZONTAL
Drive End Bearing	BALL	Opp Drive End Bearing	BALL
Frame Material	Rolled Steel	Shaft Type	Single Special Extension
Overall Length	12.82 in	Frame Length	7.56 in
Shaft Diameter	0.625 in	Shaft Extension	1.88 in
Assembly/Box Mounting	F1 ONLY		
Outline Drawing	A-100127LN-756	Connection Diagram	102006-51-LN

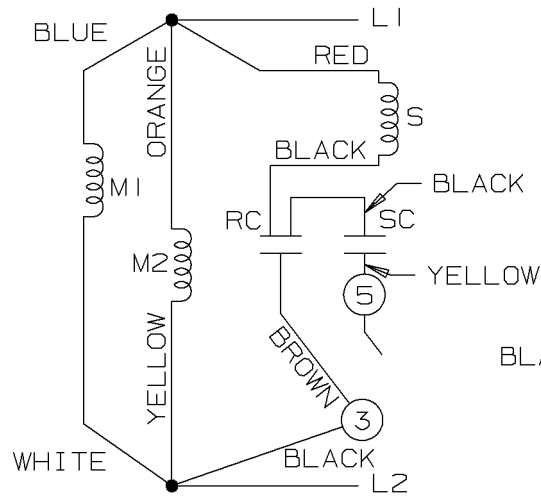
This is an uncontrolled document once printed or downloaded and is subject to change without notice. Date Created: 10/15/2018



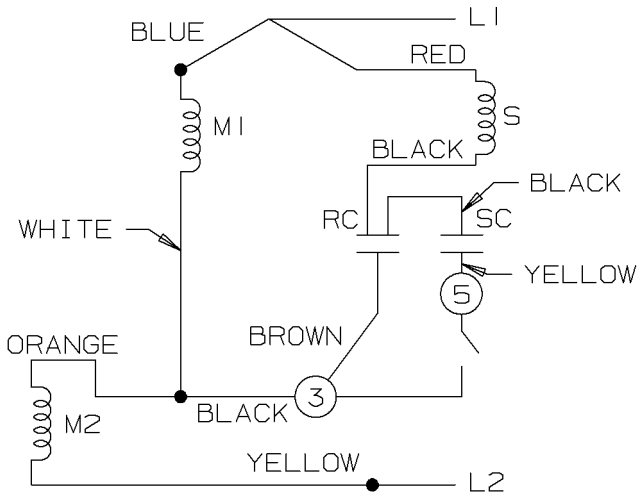
DASH	FR.	C	AG	BS	DASH	FR.	C	AG	BS
706	56-70	12.32	10.25	4.64	856	56-85	13.82	11.75	6.14
756	56-75	12.82	10.75	5.14	956	56-95	14.82	12.75	7.14
806	56-80	13.32	11.25	5.64	1006	56-100	15.32	13.25	7.64

		TOLERANCES UNLESS SPECIFIED		Lincoln MOTORS		DRAWN TJB 12-07-1999	
		DEC.	INCHES			CHK	ML 12-07-1999
		.X	±.1			APPD	GK 12-07-1999
		.XX	±.03	TITLE OUTLINE		SCALE	5=15
		.XXX	±.005	56 FR. -BB - 1Ø -TEFC		REF	
1	NEW DRAWING		.XXXX	±.0005	MAT'L.	FMF	
NO.	REVISION	BY & DATE	CHK	ANG	FINISH	PREV	
			RFP	12-07-1999	CAD FILE 100127In	SIZE	DRAWING NO. PAGE OF REV.
			DIST			A	100127LN 1

LOW VOLTAGE C.C.W.

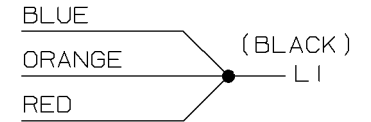


HIGH VOLTAGE C.C.W.

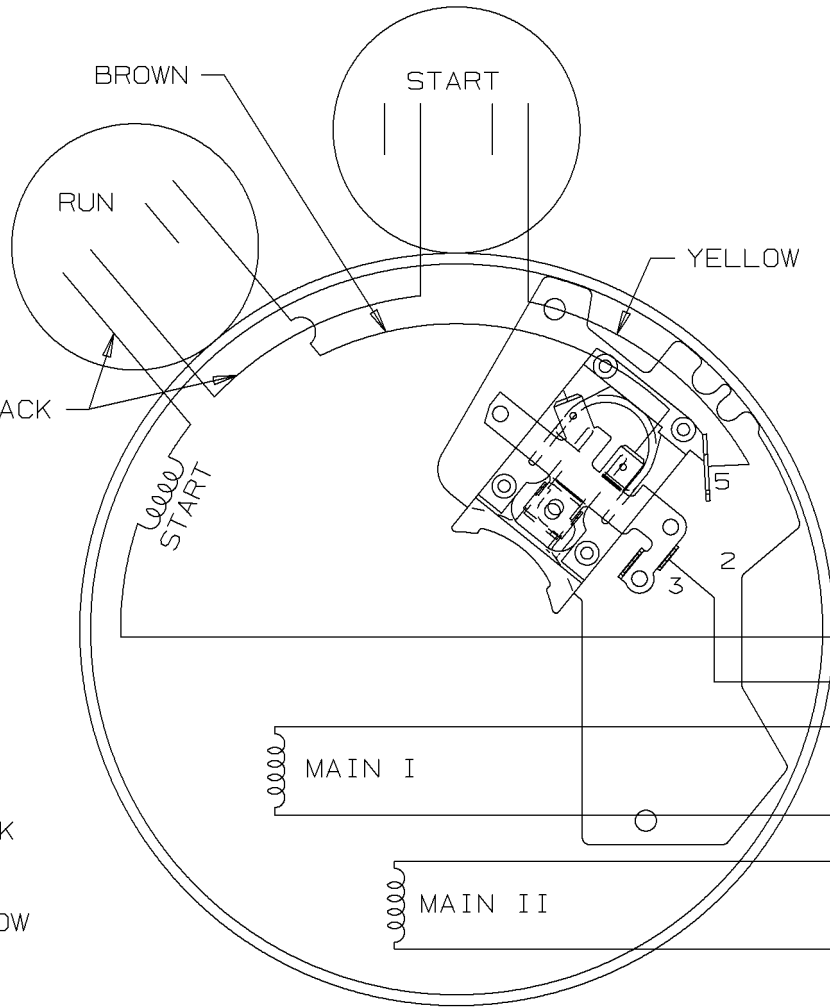
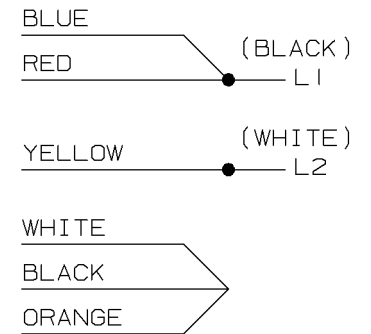


DUAL VOLTAGE CAPACITOR
START-CAP RUN NO OVERLOAD
SELECT ROTATION

LOW VOLTAGE C.C.W. ROTATION



HIGH VOLTAGE C.C.W. ROTATION



FOR C.W. ROTATION,
EITHER VOLTAGE,
INTERCHANGE RED WITH
BLACK LEAD

					✓ UNLESS OTHERWISE SPECIFIED DIMENSIONS ARE IN INCHES TOL. ON XX± XXX±.005 XXXX±.0005 ANGLES± 7'30"		
						MAX. SURFACE ROUGHNESS UNLESS OTHERWISE NOTED	DRAWN BY BLR 09-29-1999 CHKD BY DRS 09-29-1999
1	09-29-1999	NEW DRAWING	BLR		MATERIAL	APPD BY GK 09-29-1999	
REV	DATE	CHANGE	NAME	PART NAME CONNECTION DIAGRAM		DRWG NO A-102006-51-LN	

PURCHASED CADD FILE NO. 102006-51-LN



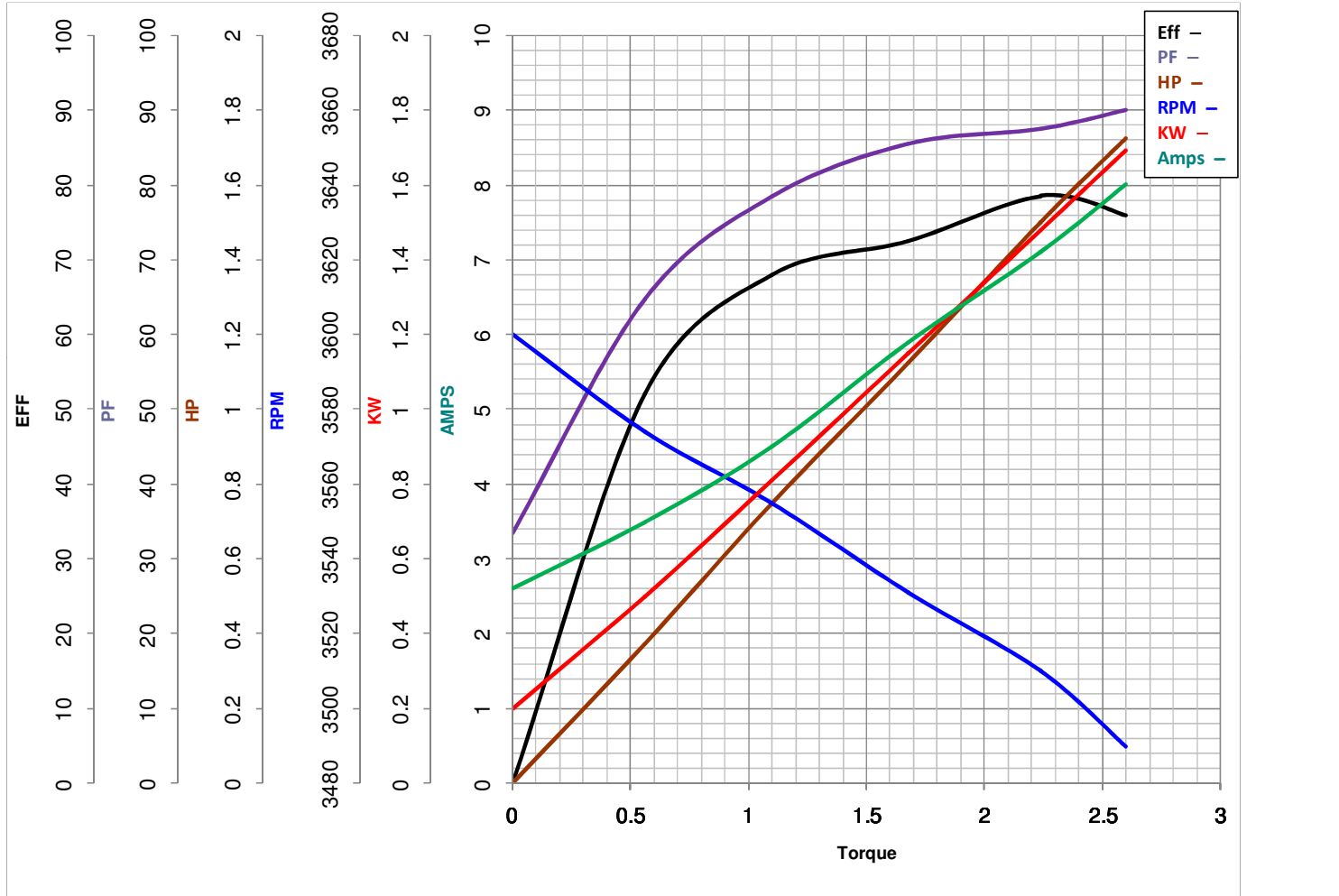
LEESON ELECTRIC CORPORATION
 TYPICAL PERFORMANCE CURVE for AC MOTOR

Model No LM24539

Curve at 230 Volts HP 1.50 PHASE 1
60 HZ
1.5 HP VOLTS 115/208-230

Catalog No LM24539D

HZ 60 RPM 3450



FL TORQUE	<u>2.24</u>	Lb.Ft	FL AMPS	<u>14.2/7.7-7.1</u>
BD TORQUE	<u>6.0</u>	Lb.Ft	PU TORQUE	<u>4.8</u> Lb.Ft
LR TORQUE	<u>5.2</u>	Lb.Ft	LR AMPS	<u>48</u>
WINDING	ZB216-3		Date	4/18/2018