

# PRODUCT INFORMATION PACKET



Model No: SRF2S1.5TLCN1B6028

Catalog No: LM24535

1 1/2..3600.56HC.TEFC.115/208-230.1.60....1.15...SRF1.5TLCN1B6028

Totally Enclosed Fan Cooled (TEFC)



Regal and Leeson are trademarks of Regal Beloit Corporation or one of its affiliated companies.

©2018 Regal Beloit Corporation, All Rights Reserved. MC017097E





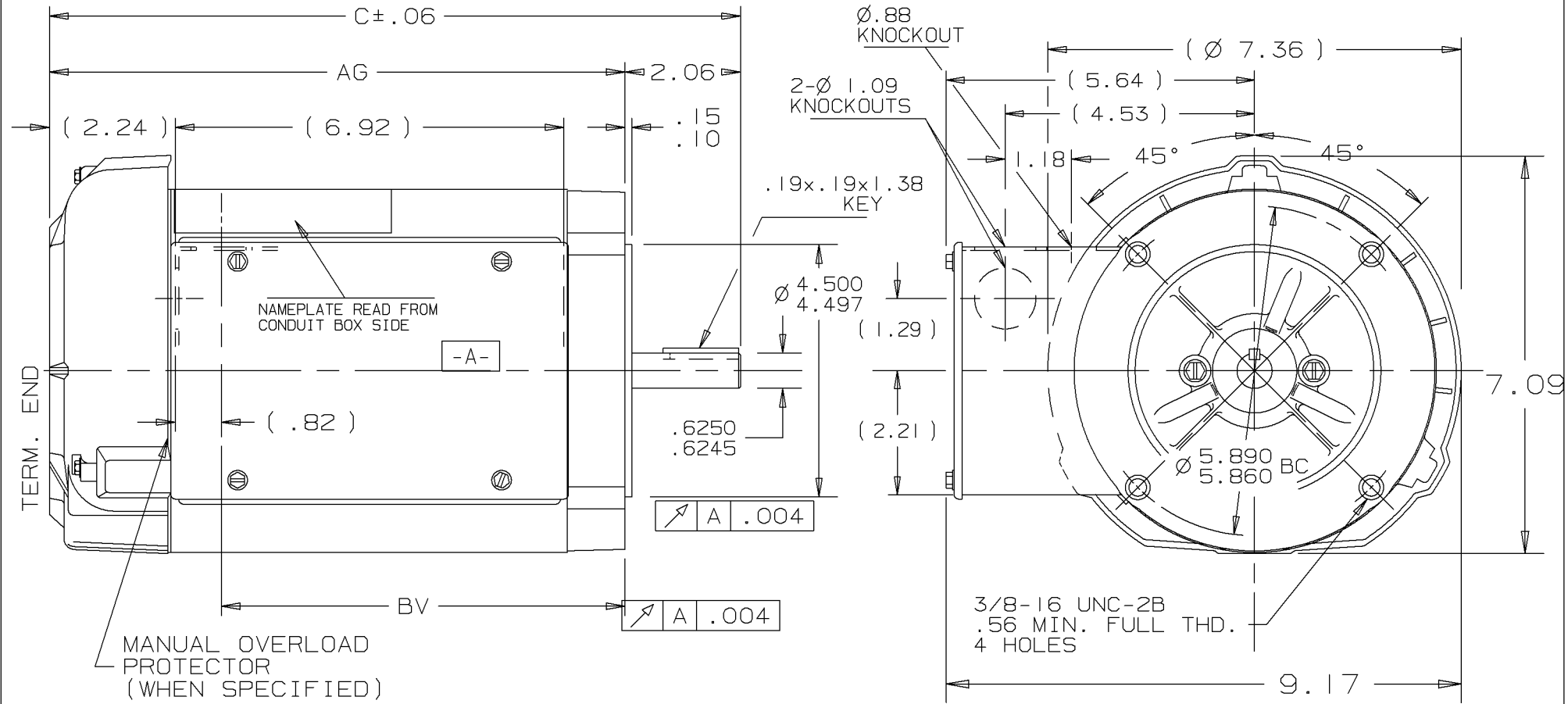
### Nameplate Specifications

|                            |                             |                        |                |
|----------------------------|-----------------------------|------------------------|----------------|
| Output HP                  | 1.50 Hp                     | Output KW              | 1.1 kW         |
| Frequency                  | 60 Hz                       | Voltage                | 115/208-230 V  |
| Current                    | 14.2/7.9-7.1 A              | Speed                  | 3450 rpm       |
| Service Factor             | 1.15                        | Phase                  | 1              |
| Efficiency                 | 78.5 %                      | Duty                   | Continuous     |
| Insulation Class           | B                           | Design Code            | NO DESIGN CODE |
| KVA Code                   | H                           | Frame                  | 56C            |
| Enclosure                  | Totally Enclosed Fan Cooled | Overload Protector     | No             |
| Ambient Temperature        | 40 °C                       | Drive End Bearing Size | 6203           |
| Opp Drive End Bearing Size | 6203                        | UL                     | Recognized     |
| CSA                        | Y                           | CE                     | N              |
| IP Code                    | 43                          |                        |                |

### Technical Specifications

|                       |                               |                       |                            |
|-----------------------|-------------------------------|-----------------------|----------------------------|
| Electrical Type       | Capacitor Start Capacitor Run | Starting Method       | Across The Line            |
| Poles                 | 2                             | Rotation              | Selective Counterclockwise |
| Mounting              | Round                         | Motor Orientation     | HORIZONTAL                 |
| Drive End Bearing     | BALL                          | Opp Drive End Bearing | BALL                       |
| Frame Material        | Rolled Steel                  | Shaft Type            | NEMA 56                    |
| Overall Length        | 12.82 in                      | Frame Length          | 7.56 in                    |
| Shaft Diameter        | 0.625 in                      | Shaft Extension       | 2.06 in                    |
| Assembly/Box Mounting | F1 ONLY                       |                       |                            |
| Outline Drawing       | A-100099LN-756                | Connection Diagram    | 102006-51-LN               |

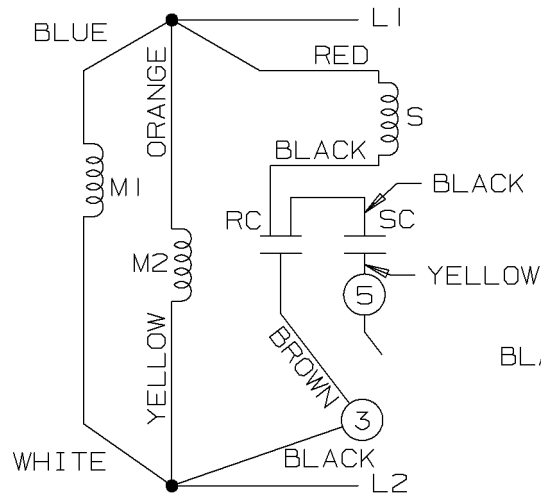
This is an uncontrolled document once printed or downloaded and is subject to change without notice. Date Created: 10/15/2018



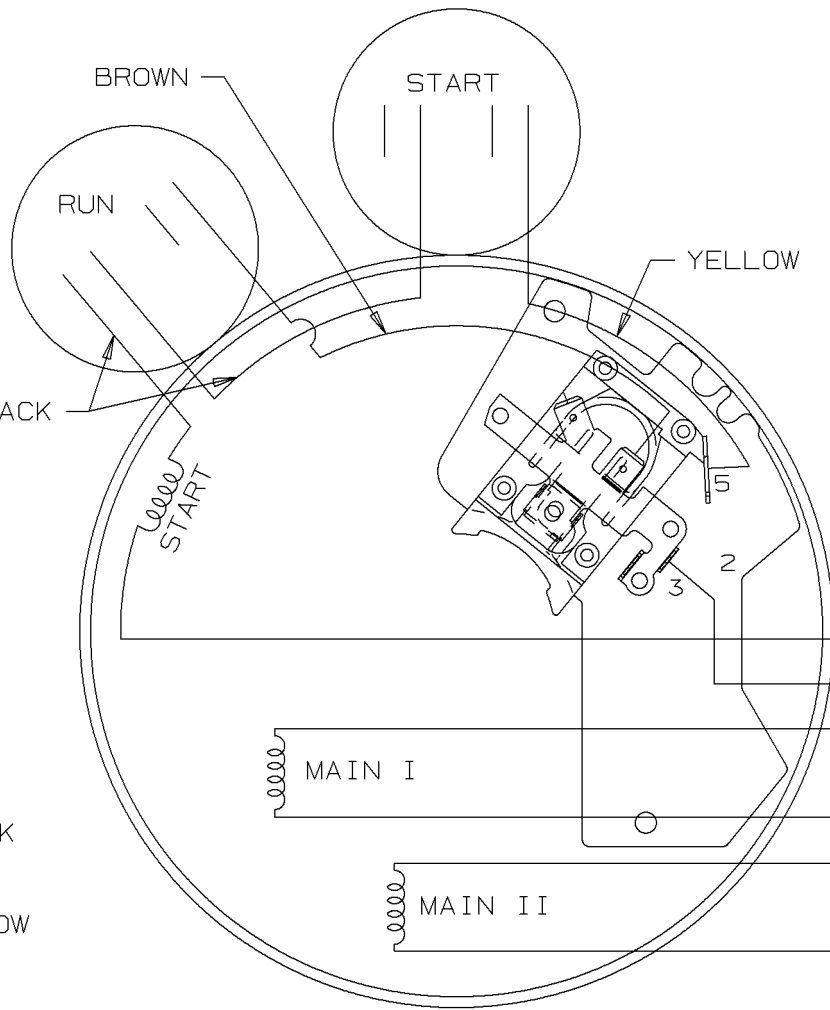
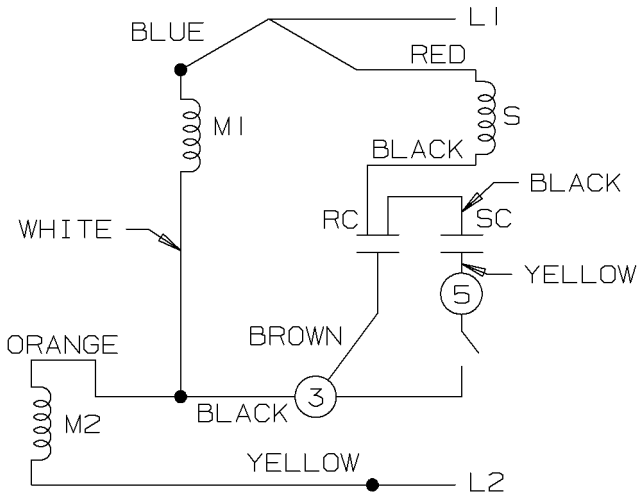
| DASH | FR.   | C     | AG    | BV   | DASH | FR.   | C     | AG    | BV   |
|------|-------|-------|-------|------|------|-------|-------|-------|------|
|      |       |       |       |      | 856  | 56-85 | 13.82 | 11.75 | 8.69 |
| 706  | 56-70 | 12.32 | 10.25 | 7.19 |      |       |       |       |      |
| 756  | 56-75 | 12.82 | 10.75 | 7.69 | 956  | 56-95 | 14.82 | 12.75 | 9.69 |
| 806  | 56-80 | 13.32 | 11.25 | 8.19 |      |       |       |       |      |

|     |      |        |  |  |      |   |  |                         |  |                       |
|-----|------|--------|--|--|------|---|--|-------------------------|--|-----------------------|
|     |      |        |  |  |      | UNLESS OTHERWISE SPECIFIED DIMENSIONS ARE IN INCHES<br>TOL. ON XX±.03 XXX±.005 XXXX±.0005 ANGLES± 7°30" |  |                         |  |                       |
|     |      |        |  |  |      | MAX. SURFACE ROUGHNESS UNLESS OTHERWISE NOTED   |  | DRAWN BY TJB 11-30-1999 |  |                       |
|     |      |        |  |  |      | FINISH  |  | CHKD BY ML 12-1-1999    |  |                       |
|     |      |        |  |  |      | MATERIAL  |  | APPD BY GK 12-1-1999    |  |                       |
| REV | DATE | CHANGE |  |  | NAME | PART NAME OUTLINE<br>56 FR. - BB - TEFC - C-FACE - 1Ø   |  |                         |  | DRWG NO<br>A-100099LN |

LOW VOLTAGE C.C.W.

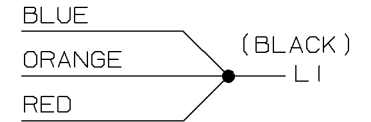


HIGH VOLTAGE C.C.W.

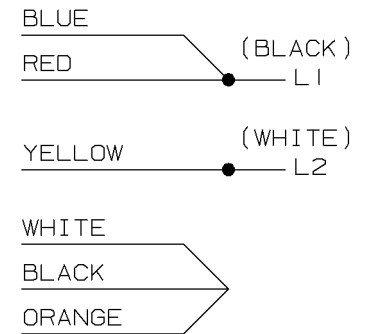


DUAL VOLTAGE CAPACITOR  
START-CAP RUN NO OVERLOAD  
SELECT ROTATION

LOW VOLTAGE C.C.W. ROTATION



HIGH VOLTAGE C.C.W. ROTATION



FOR C.W. ROTATION,  
EITHER VOLTAGE,  
INTERCHANGE RED WITH  
BLACK LEAD

|     |            |             |      |           |  |  |   |
|-----|------------|-------------|------|-----------|--|--|---|
|     |            |             |      |           | ✓ UNLESS OTHERWISE SPECIFIED DIMENSIONS ARE IN INCHES<br>TOL. ON XX± XXX±.005 XXXX±.0005 ANGLES± 7'30" |  |   |
|     |            |             |      |           |  | MAX. SURFACE ROUGHNESS<br>UNLESS OTHERWISE NOTED | DRAWN BY BLR 09-29-1999<br>CHKD BY DRS 09-29-1999 |
| 1   | 09-29-1999 | NEW DRAWING | BLR  |           | MATERIAL   | APPD BY GK 09-29-1999                            |   |
| REV | DATE       | CHANGE      | NAME | PART NAME | CONNECTION DIAGRAM   |  | DRWG NO<br>A-102006-51-LN                         |

|           |               |              |
|-----------|---------------|--------------|
| PURCHASED | CADD FILE NO. | 102006-51-LN |
|-----------|---------------|--------------|



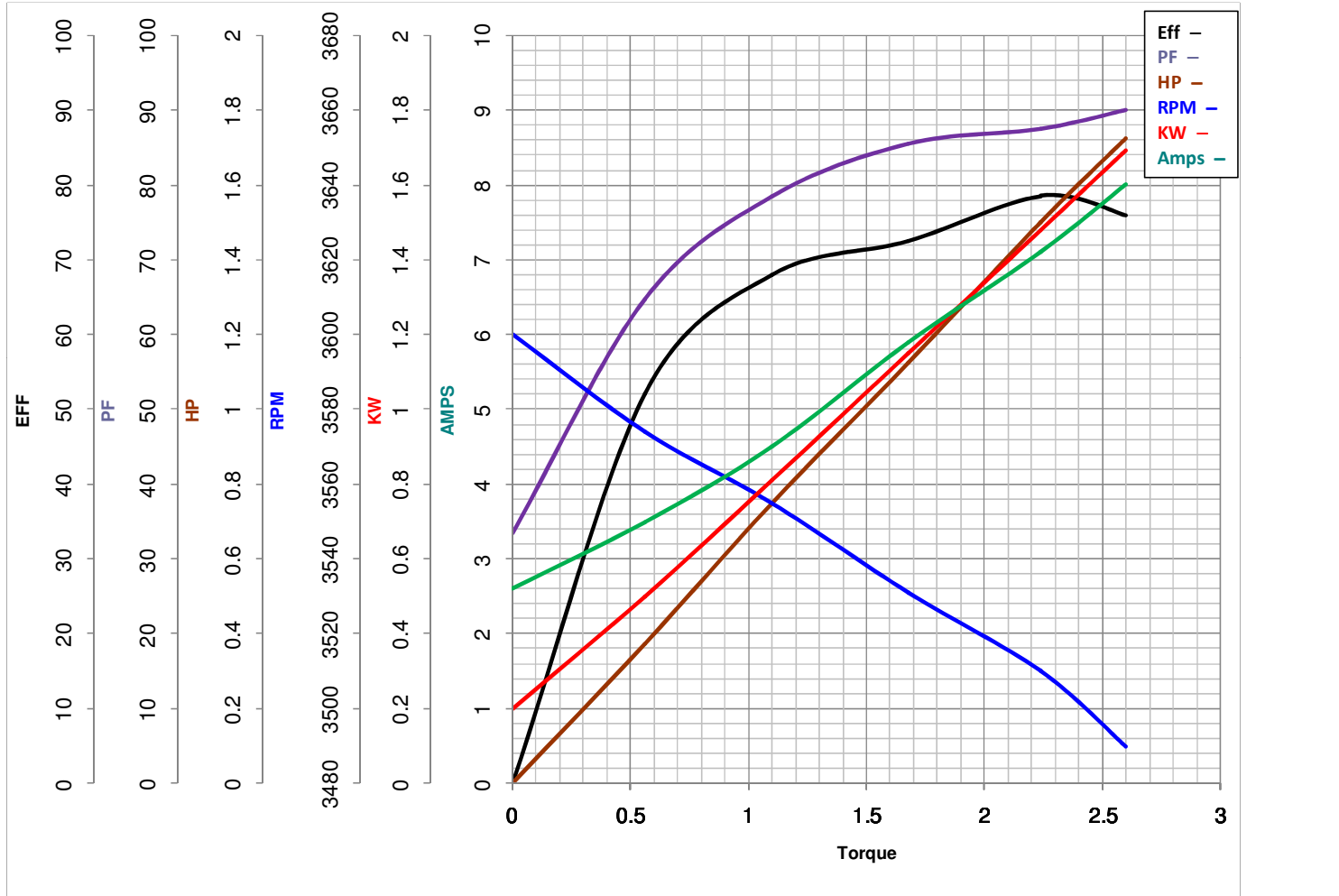
**LEESON ELECTRIC CORPORATION**  
 TYPICAL PERFORMANCE CURVE for AC MOTOR

Model No LM24535

Curve at 230 Volts      HP 1.50      PHASE 1  
60 HZ  
1.5 HP      VOLTS 115/208-230

Catalog No LM24535D

HZ 60      RPM 3450



Torque in Lb.Ft

FL TORQUE 2.24 Lb.Ft  
 BD TORQUE 6.0 Lb.Ft  
 LR TORQUE 5.2 Lb.Ft

FL AMPS 14.2/7.9-7.1  
 PU TORQUE 4.8 Lb.Ft  
 LR AMPS 48

WINDING ZB216-3

Date 4/16/2018