

# PRODUCT INFORMATION PACKET



Model No: LM24531

Catalog No: LM24531

1.50 HP General Purpose Motor, 1 phase, 3600 RPM, 115/208-230 V, 56HZ Frame, TEFC  
Single Phase TEFC Motors



Regal and Leeson are trademarks of Regal Beloit Corporation or one of its affiliated companies.

©2019 Regal Beloit Corporation, All Rights Reserved. MC017097E

The Regal logo is the word "REGAL" in white, bold, sans-serif capital letters, set within a grey, trapezoidal shape that tapers to the right. The background of the page features a vertical blue gradient with a halftone dot pattern on the right side.

REGAL



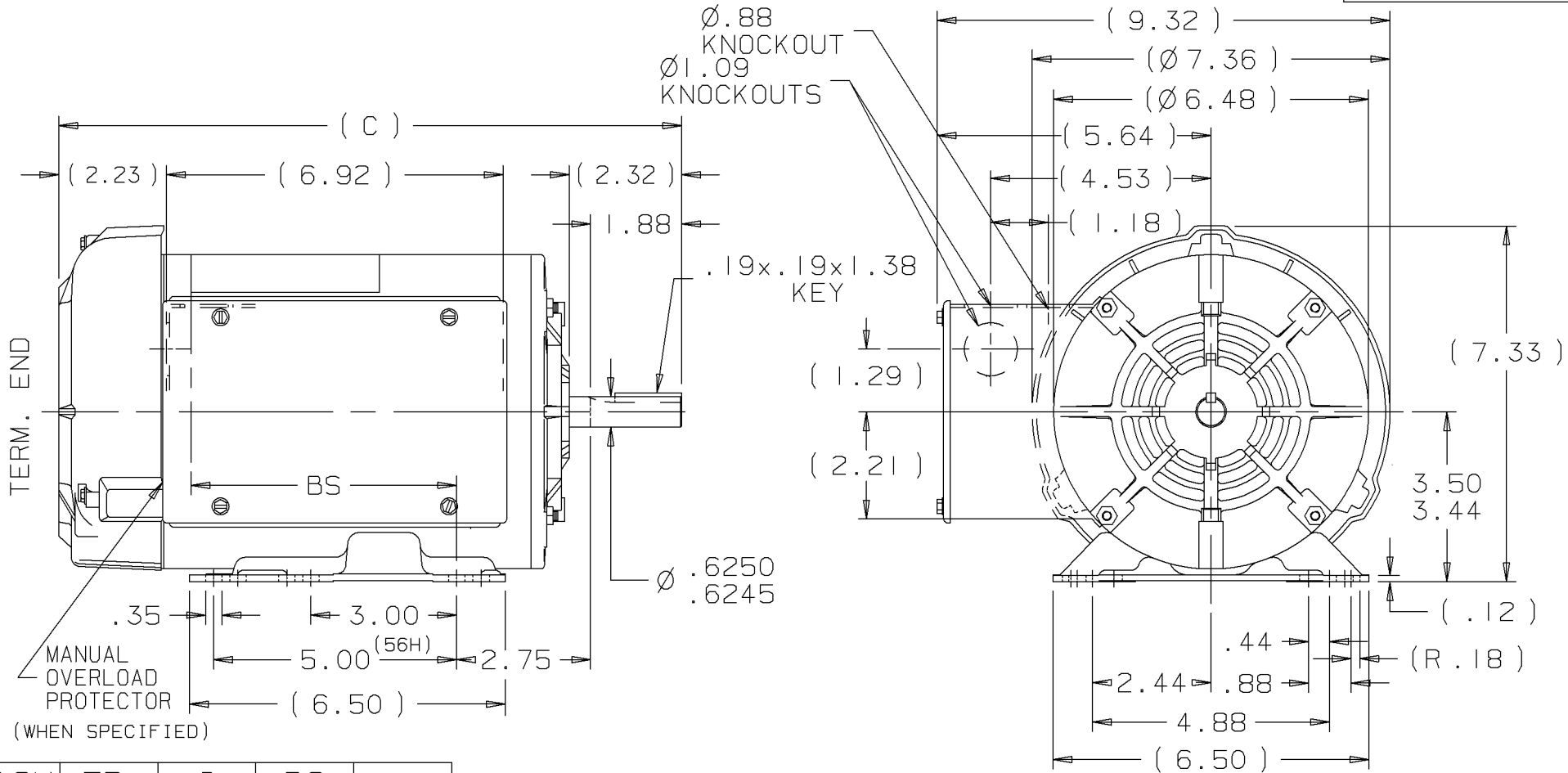
**Nameplate Specifications**

|                        |                       |                            |                                    |
|------------------------|-----------------------|----------------------------|------------------------------------|
| Output HP              | <b>1.50 Hp</b>        | Output KW                  | <b>1.1 kW</b>                      |
| Frequency              | <b>60 Hz</b>          | Voltage                    | <b>115/208-230 V</b>               |
| Current                | <b>14.2/7.7-7.1 A</b> | Speed                      | <b>3450 rpm</b>                    |
| Service Factor         | <b>1.15</b>           | Phase                      | <b>1</b>                           |
| Efficiency             | <b>78.5 %</b>         | Power Factor               | <b>87.5</b>                        |
| Duty                   | <b>Continuous</b>     | Insulation Class           | <b>B</b>                           |
| Design Code            | <b>No Design Code</b> | KVA Code                   | <b>H</b>                           |
| Frame                  | <b>56HZ</b>           | Enclosure                  | <b>Totally Enclosed Fan Cooled</b> |
| Thermal Protection     | <b>No</b>             | Ambient Temperature        | <b>40 °C</b>                       |
| Drive End Bearing Size | <b>6203</b>           | Opp Drive End Bearing Size | <b>6203</b>                        |
| UL                     | <b>Recognized</b>     | CSA                        | <b>Y</b>                           |
| CE                     | <b>N</b>              | IP Code                    | <b>43</b>                          |

**Technical Specifications**

|                       |                                      |                       |                                   |
|-----------------------|--------------------------------------|-----------------------|-----------------------------------|
| Electrical Type       | <b>Capacitor Start Capacitor Run</b> | Starting Method       | <b>Across The Line</b>            |
| Poles                 | <b>2</b>                             | Rotation              | <b>Selective Counterclockwise</b> |
| Resistance Main       | <b>0 Ohms</b>                        | Mounting              | <b>Rigid base</b>                 |
| Motor Orientation     | <b>Horizontal</b>                    | Drive End Bearing     | <b>Ball</b>                       |
| Opp Drive End Bearing | <b>Ball</b>                          | Frame Material        | <b>Rolled Steel</b>               |
| Shaft Type            | <b>Single Special Extension</b>      | Overall Length        | <b>12.82 in</b>                   |
| Frame Length          | <b>7.56 in</b>                       | Shaft Diameter        | <b>0.625 in</b>                   |
| Shaft Extension       | <b>2.32 in</b>                       | Assembly/Box Mounting | <b>F1 Only</b>                    |

This is an uncontrolled document once printed or downloaded and is subject to change without notice. Date Created:01/11/2019



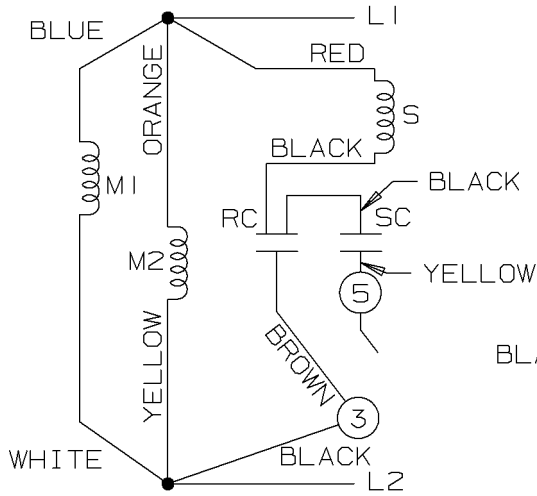
| DASH | FR.   | C     | BS   |
|------|-------|-------|------|
| 756  | 56-75 | 12.82 | 5.14 |
| 806  | 56-80 | 13.32 | 5.64 |
| 856  | 56-85 | 13.82 | 6.14 |

NOTES:  
 1. NAMEPLATE TO BE READ FROM CONDUIT BOX SIDE OF MOTOR.

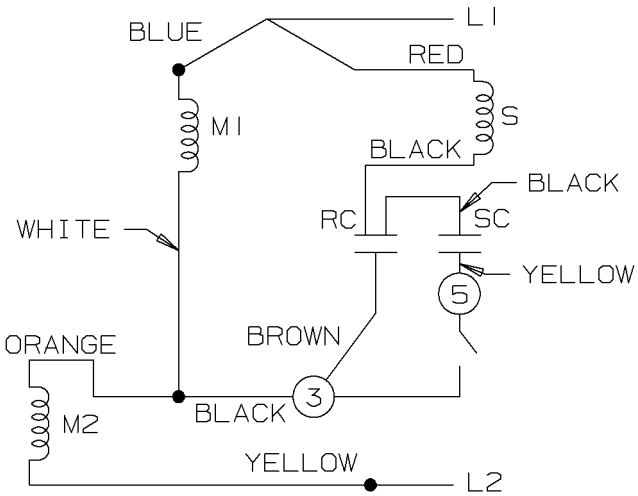
|     |      |        |      |   |  |                         |                       |  |
|-----|------|--------|------|---|--|-------------------------|-----------------------|--|
|     |      |        |      | ✓ UNLESS OTHERWISE SPECIFIED DIMENSIONS ARE IN INCHES<br>TOL. ON XX±.03 XXX±.005 XXXX±.0005 ANGLES± 7°30" |  |                         |                       |  |
|     |      |        |      | MAX. SURFACE ROUGHNESS UNLESS OTHERWISE NOTED   |  | DRAWN BY TRB 09-09-1999 |                       |  |
|     |      |        |      | FINISH  |  | CHKD BY ML 09-10-1999   |                       |  |
|     |      |        |      | MATERIAL  |  | APPD BY GK 09-10-1999   |                       |  |
| REV | DATE | CHANGE | NAME | PART NAME OUTLINE<br>56 FR. - BB - TEFC - 1Ø  |  |                         | DRWG NO<br>A-100113LN |  |

PURCHASED | CADD FILE NO. | 100113LN

LOW VOLTAGE C.C.W.

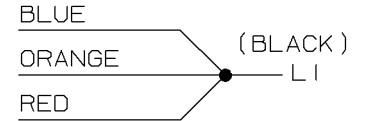


HIGH VOLTAGE C.C.W.

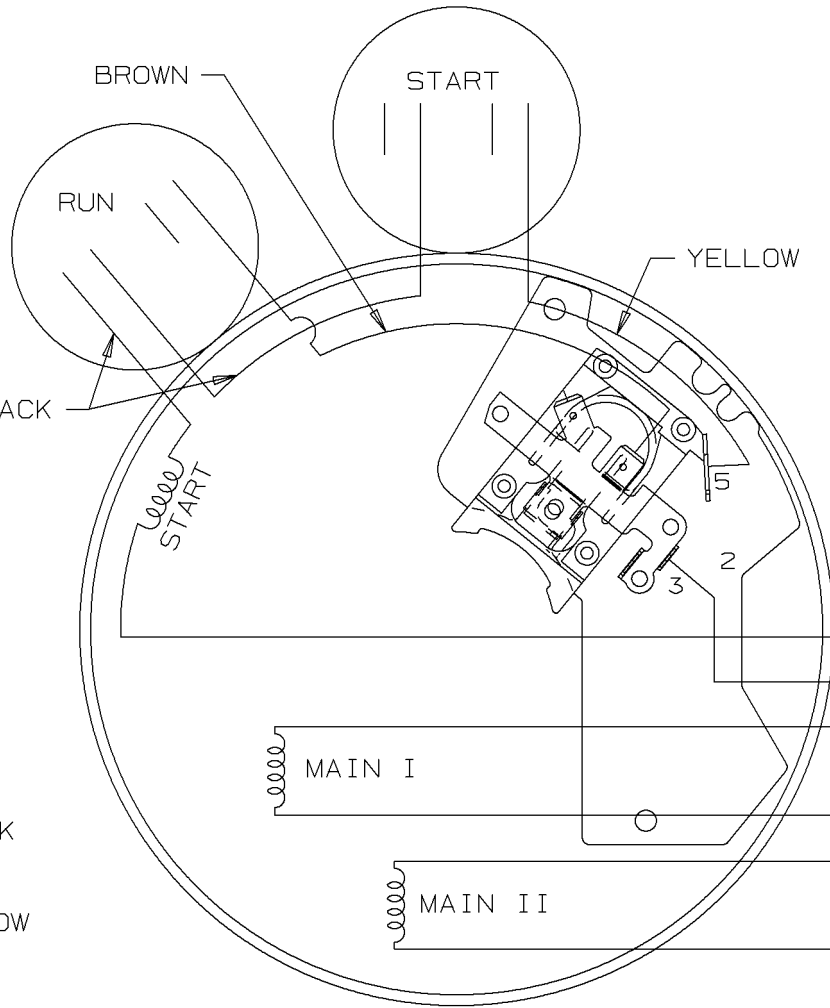
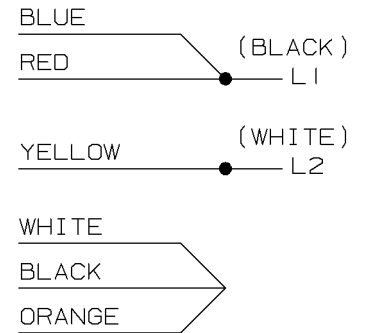


DUAL VOLTAGE CAPACITOR  
START-CAP RUN NO OVERLOAD  
SELECT ROTATION

LOW VOLTAGE C.C.W. ROTATION



HIGH VOLTAGE C.C.W. ROTATION



FOR C.W. ROTATION,  
EITHER VOLTAGE,  
INTERCHANGE RED WITH  
BLACK LEAD

|     |            |             |  |      |   |  |                       |                           |
|-----|------------|-------------|--|------|---|--|-----------------------|---------------------------|
|     |            |             |  |      | ✓ UNLESS OTHERWISE SPECIFIED DIMENSIONS ARE IN INCHES<br>TOL. ON XX±    XXX±.005    XXXX±.0005    ANGLES± 7'30" |  |                       |                           |
|     |            |             |  |      | MAX. SURFACE ROUGHNESS<br>UNLESS OTHERWISE NOTED  |  |                       | DRAWN BY BLR 09-29-1999   |
|     |            |             |  |      | FINISH  |  |                       | CHKD BY DRS 09-29-1999    |
| 1   | 09-29-1999 | NEW DRAWING |  | BLR  |   |  | APPD BY GK 09-29-1999 |                           |
| REV | DATE       | CHANGE      |  | NAME | PART NAME CONNECTION DIAGRAM  |  |                       | DRWG NO<br>A-102006-51-LN |

PURCHASED | CADD FILE NO. | 102006-51-LN