

PRODUCT INFORMATION PACKET



Model No: SRF2S2TLCN1B6028
Catalog No: LM24530
2..3600.56C.TEFC.115/208-230.1.60....1.15...SRF2S2TLCN1B6028
Totally Enclosed Fan Cooled (TEFC)



Regal and Leeson are trademarks of Regal Beloit Corporation or one of its affiliated companies.
©2018 Regal Beloit Corporation, All Rights Reserved. MC017097E





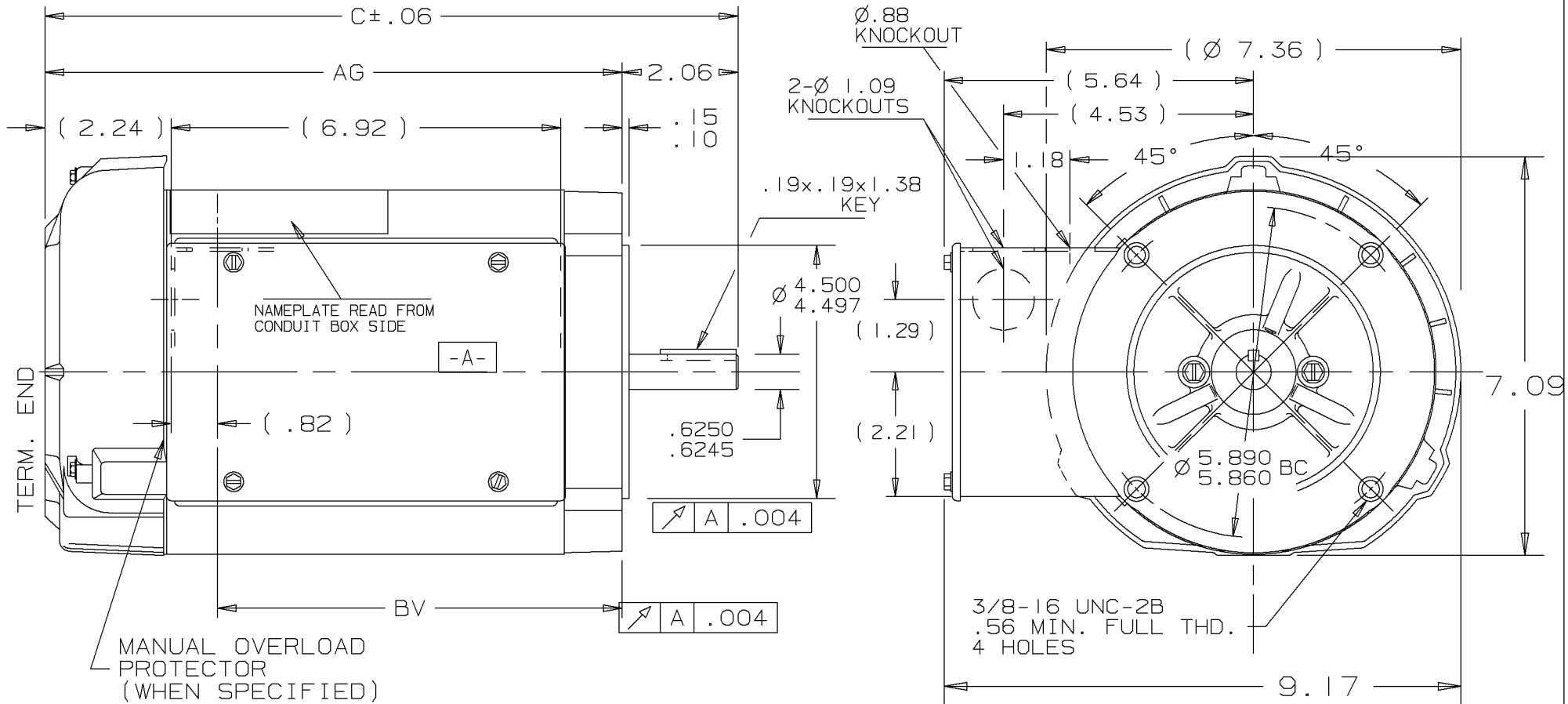
Nameplate Specifications

Output HP	2 Hp	Output KW	1.5 kW
Frequency	60 Hz	Voltage	115/208-230 V
Current	18.0/10.0-9.0 A	Speed	3450 rpm
Service Factor	1.15	Phase	1
Efficiency	80 %	Duty	Continuous
Insulation Class	B	Design Code	NO DESIGN CODE
KVA Code	H	Frame	56C
Enclosure	Totally Enclosed Fan Cooled	Overload Protector	No
Ambient Temperature	40 °C	Drive End Bearing Size	6203
Opp Drive End Bearing Size	6203	UL	Recognized
CSA	Y	CE	N
IP Code	43		

Technical Specifications

Electrical Type	Capacitor Start Capacitor Run	Starting Method	Across The Line
Poles	2	Rotation	Selective Counterclockwise
Mounting	Round	Motor Orientation	HORIZONTAL
Drive End Bearing	BALL	Opp Drive End Bearing	BALL
Frame Material	Rolled Steel	Shaft Type	NEMA 56
Overall Length	13.32 in	Frame Length	8.06 in
Shaft Diameter	0.625 in	Shaft Extension	2.06 in
Assembly/Box Mounting	F1 ONLY		
Outline Drawing	A-100099LN-806	Connection Diagram	A-102006-51-LN

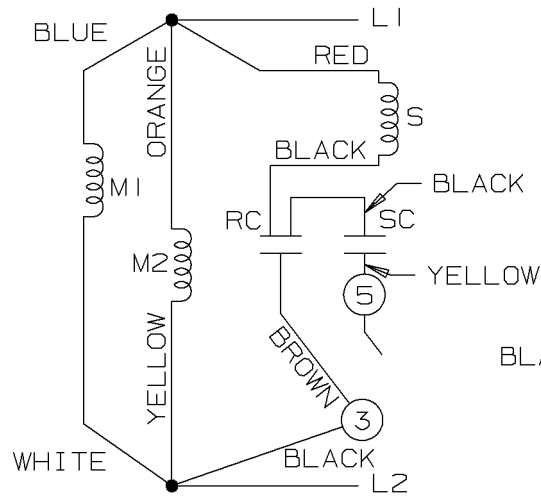
This is an uncontrolled document once printed or downloaded and is subject to change without notice. Date Created: 10/15/2018



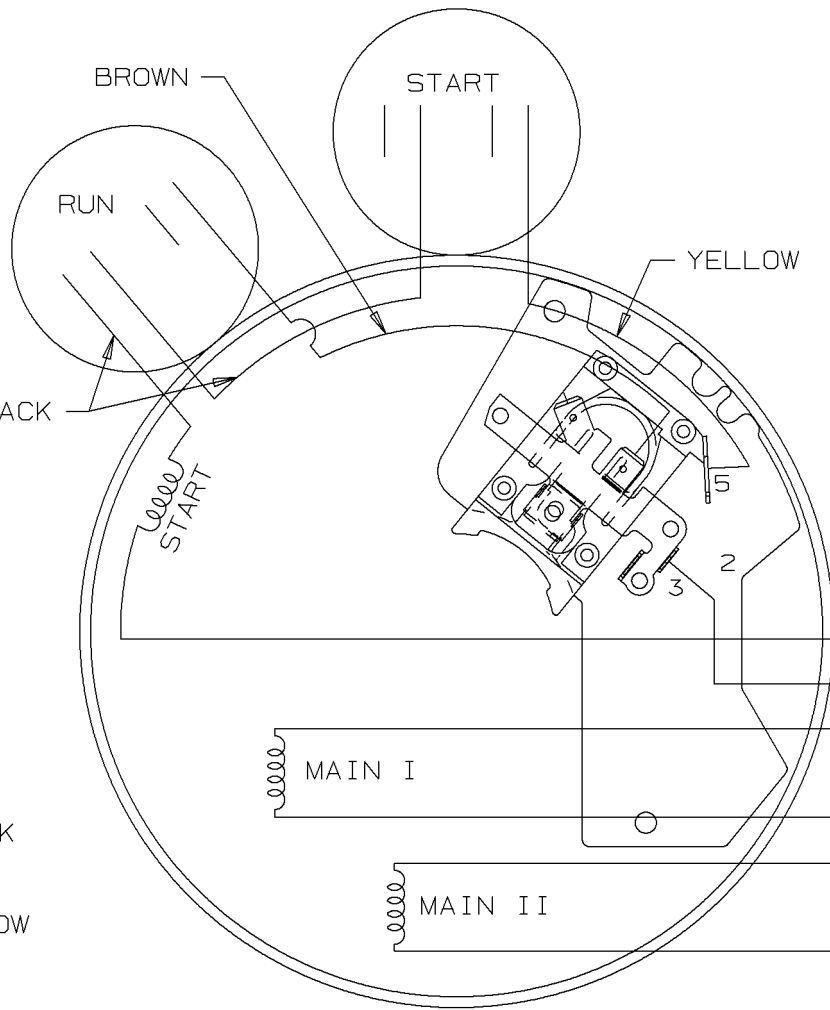
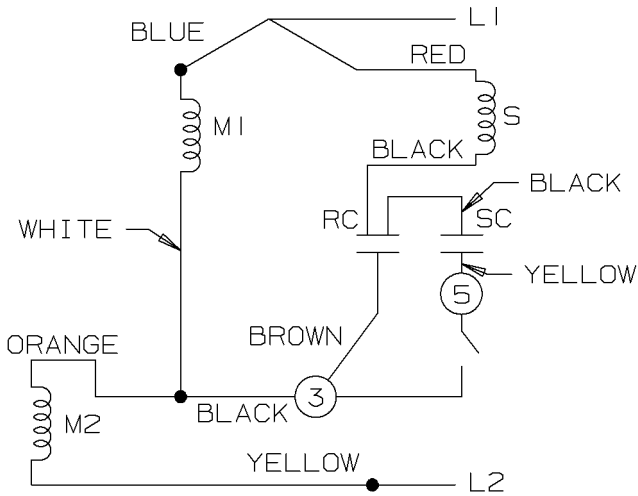
DASH	FR.	C	AG	BV	DASH	FR.	C	AG	BV
					856	56-85	13.82	11.75	8.69
706	56-70	12.32	10.25	7.19					
756	56-75	12.82	10.75	7.69	956	56-95	14.82	12.75	9.69
806	56-80	13.32	11.25	8.19					

					UNLESS OTHERWISE SPECIFIED DIMENSIONS ARE IN INCHES TOL. ON XX±.03 XXX±.005 XXXX±.0005 ANGLES± 7°30"			
					MAX. SURFACE ROUGHNESS UNLESS OTHERWISE NOTED	DRAWN BY TJB	11-30-1999	
			FINISH	CHKD BY ML	12-1-1999			
			MATERIAL	APPD BY GK	12-1-1999			
REV	DATE	CHANGE	NAME	PART NAME OUTLINE 56 FR. - BB - TEFC - C-FACE - 1 \varnothing			DRWG NO A-100099LN	
			PURCHASED	CADD FILE NO.	100099			

LOW VOLTAGE C.C.W.

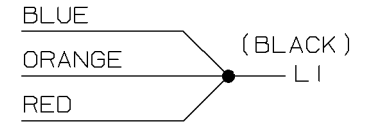


HIGH VOLTAGE C.C.W.

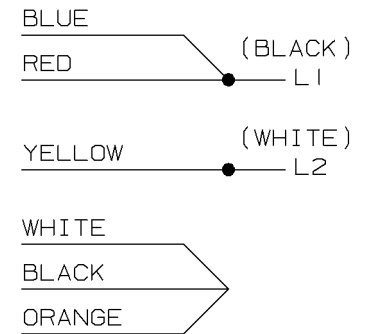


DUAL VOLTAGE CAPACITOR
START-CAP RUN NO OVERLOAD
SELECT ROTATION

LOW VOLTAGE C.C.W. ROTATION



HIGH VOLTAGE C.C.W. ROTATION



FOR C.W. ROTATION,
EITHER VOLTAGE,
INTERCHANGE RED WITH
BLACK LEAD

					✓ UNLESS OTHERWISE SPECIFIED DIMENSIONS ARE IN INCHES TOL. ON XX± XXX±.005 XXXX±.0005 ANGLES± 7'30"			
					MAX. SURFACE ROUGHNESS UNLESS OTHERWISE NOTED			DRAWN BY BLR 09-29-1999
					FINISH			CHKD BY DRS 09-29-1999
1	09-29-1999	NEW DRAWING		BLR			APPD BY GK 09-29-1999	
REV	DATE	CHANGE		NAME	PART NAME CONNECTION DIAGRAM			DRWG NO A-102006-51-LN

PURCHASED	CADD FILE NO.	102006-51-LN
-----------	---------------	--------------



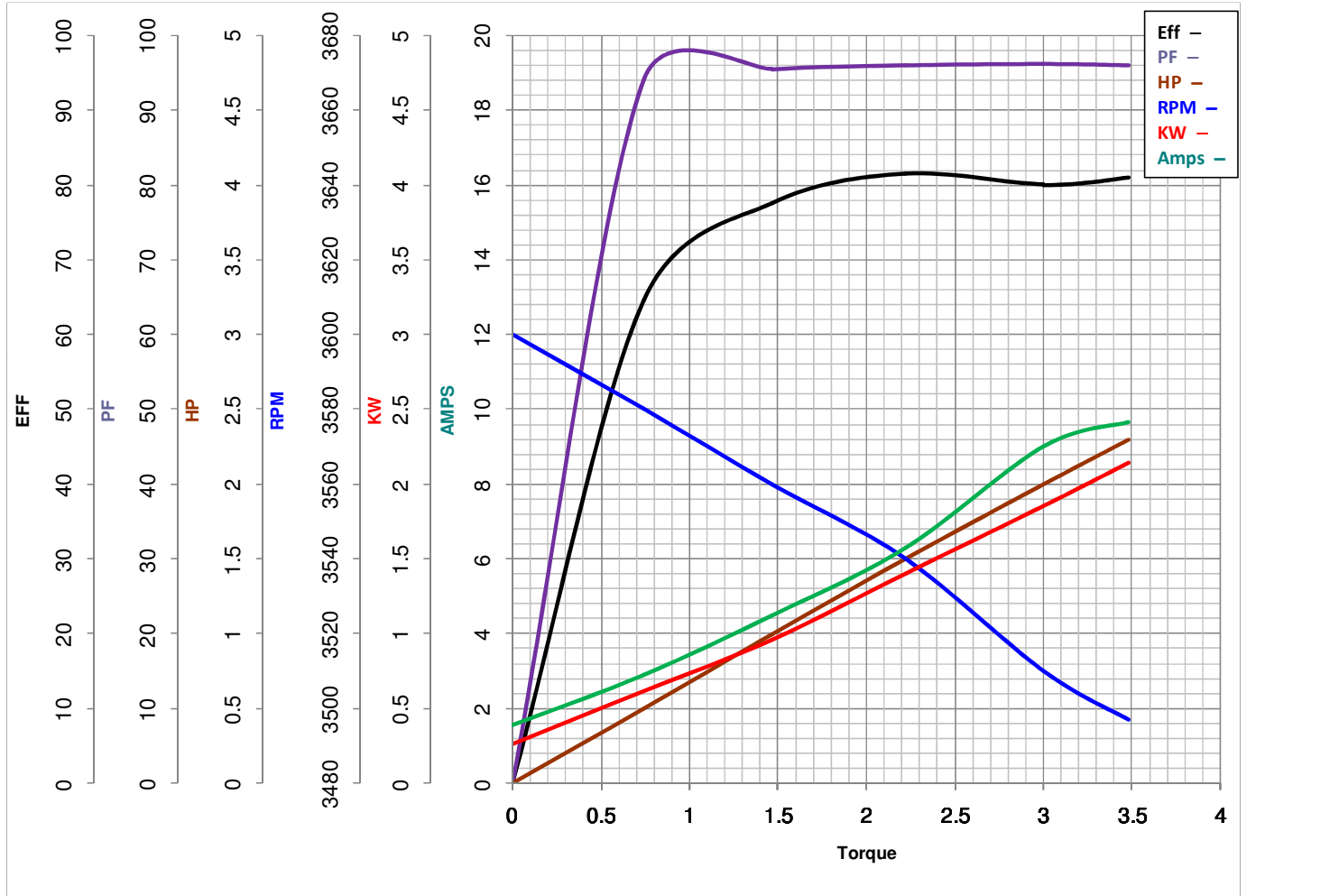
LEESON ELECTRIC CORPORATION
 TYPICAL PERFORMANCE CURVE for AC MOTOR

Model No LM24530

Curve at 230 Volts HP 2.00 PHASE 1
60 HZ
2 HP VOLTS 115/208-230

Catalog No LM24530D

HZ 60 RPM 3450



Torque in Lb.Ft

FL TORQUE 3 Lb.Ft
 BD TORQUE 7.7 Lb.Ft
 LR TORQUE 6.23 Lb.Ft

FL AMPS 18/10-9
 PU TORQUE 5.0 Lb.Ft
 LR AMPS 60.3

WINDING ZB229-3

Date 3/26/2018