

PRODUCT INFORMATION PACKET



Model No: SRF4S1.5T1B6028

Catalog No: LM24513

1 1/2..1800.56H.TEFC.115/208-230.1.60....1.15...SRF4S1.5T1B6028

Totally Enclosed Fan Cooled (TEFC)



Regal and Leeson are trademarks of Regal Beloit Corporation or one of its affiliated companies.

©2018 Regal Beloit Corporation, All Rights Reserved. MC017097E





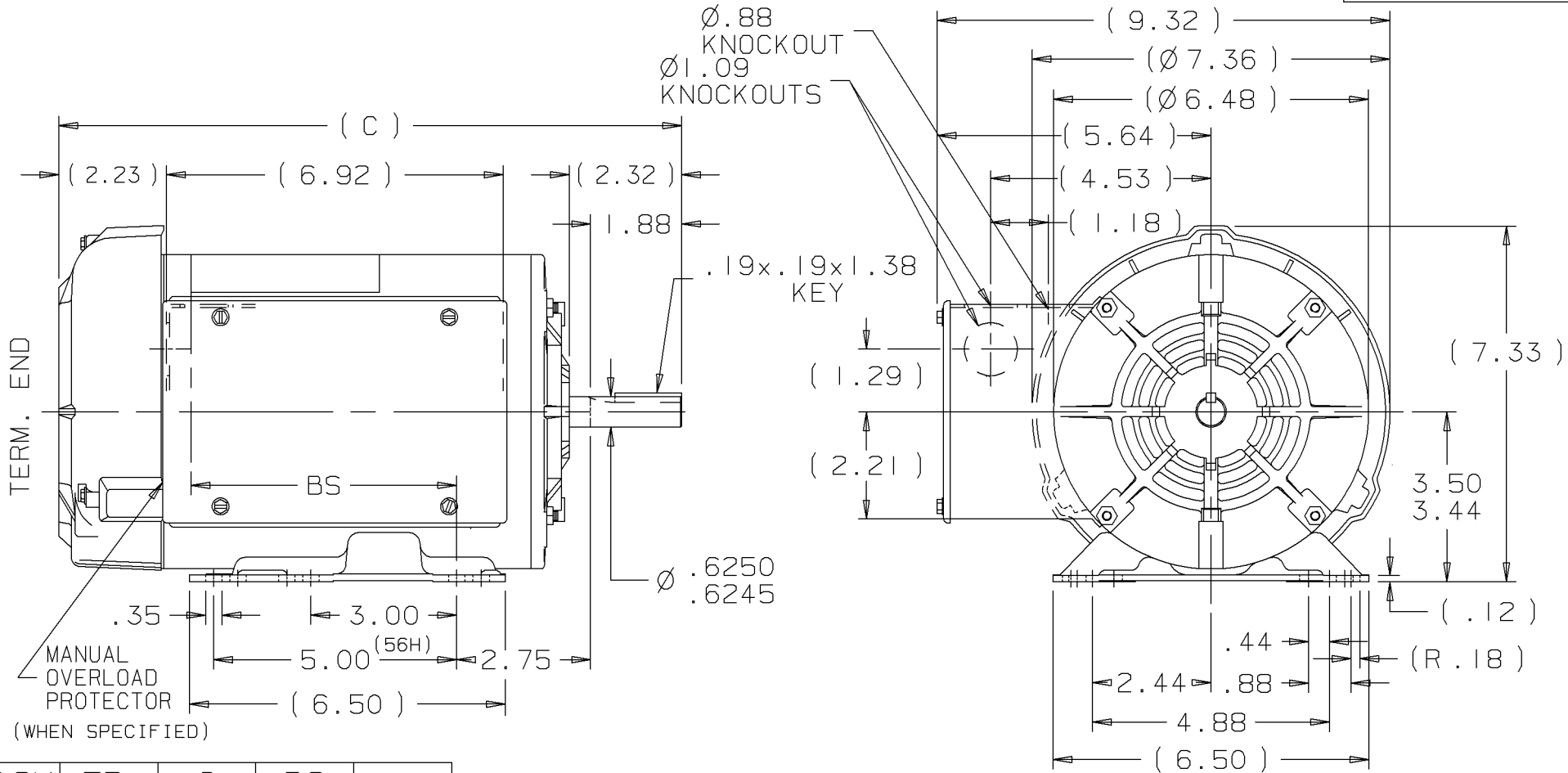
Nameplate Specifications

Output HP	1.50 Hp	Output KW	1.1 kW
Frequency	60 Hz	Voltage	115/208-230 V
Current	15.2/8.2-7.6 A	Speed	1725 rpm
Service Factor	1.15	Phase	1
Efficiency	80 %	Duty	Continuous
Insulation Class	B	Design Code	N
KVA Code	J	Frame	56H
Enclosure	Totally Enclosed Fan Cooled	Overload Protector	No
Ambient Temperature	40 °C	Drive End Bearing Size	6203
Opp Drive End Bearing Size	6203	UL	Recognized
CSA	Y	CE	N
IP Code	43		

Technical Specifications

Electrical Type	Capacitor Start Capacitor Run	Starting Method	Across The Line
Poles	4	Rotation	Selective Counterclockwise
Mounting	Rigid base	Motor Orientation	HORIZONTAL
Drive End Bearing	BALL	Opp Drive End Bearing	BALL
Frame Material	Rolled Steel	Shaft Type	NEMA 56
Overall Length	13.82 in	Frame Length	8.56 in
Shaft Diameter	0.625 in	Shaft Extension	1.88 in
Assembly/Box Mounting	F1 ONLY		
Outline Drawing	A-100113LN-856	Connection Diagram	102006-51-LN

This is an uncontrolled document once printed or downloaded and is subject to change without notice. Date Created: 10/15/2018



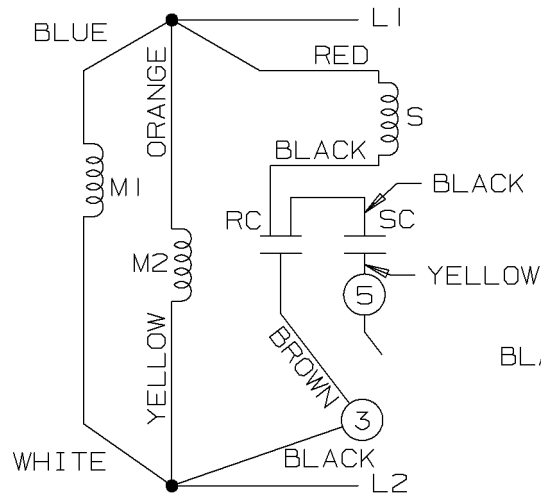
DASH	FR.	C	BS
756	56-75	12.82	5.14
806	56-80	13.32	5.64
856	56-85	13.82	6.14

NOTES:
 1. NAMEPLATE TO BE READ FROM CONDUIT BOX SIDE OF MOTOR.

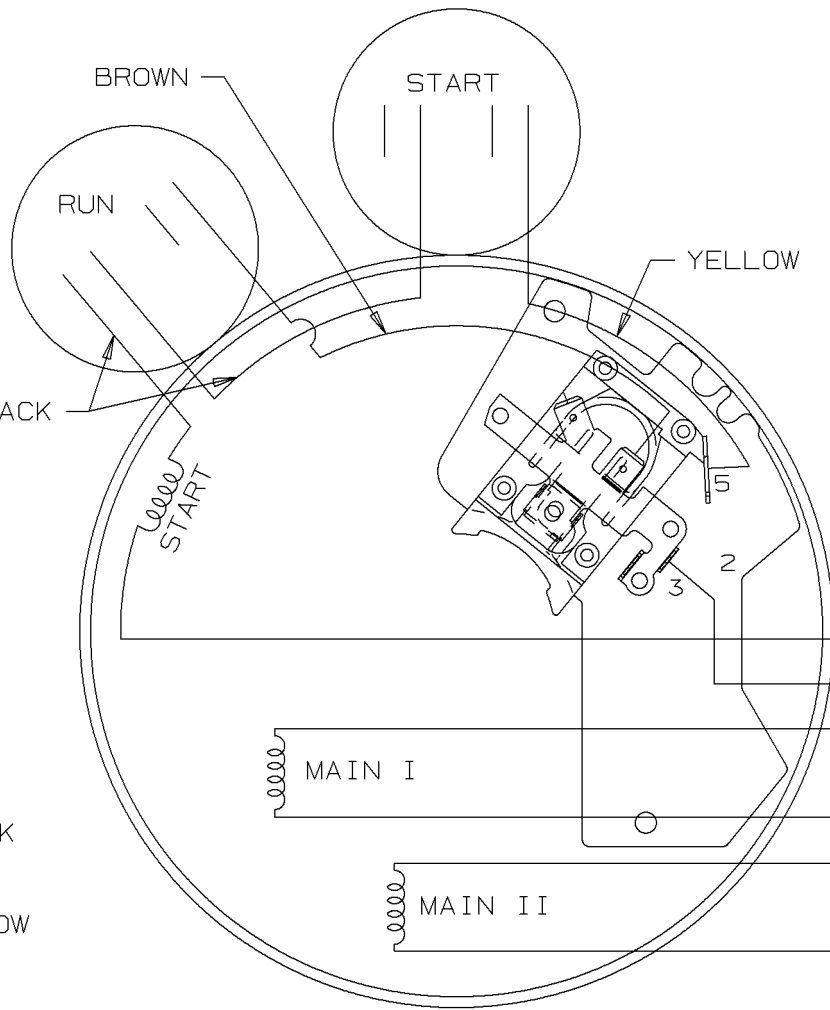
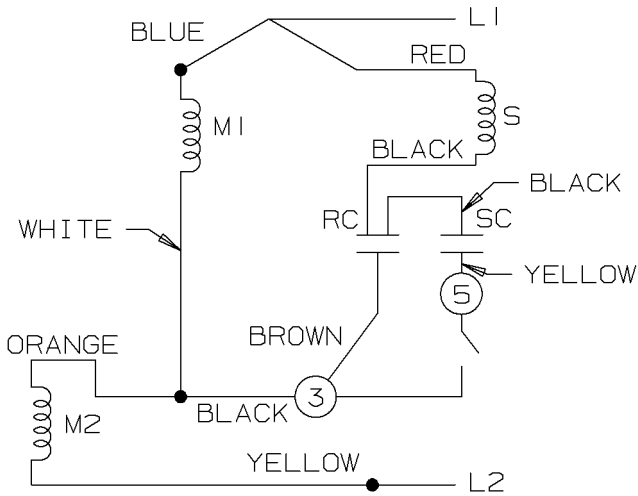
						UNLESS OTHERWISE SPECIFIED DIMENSIONS ARE IN INCHES TOL. ON XX±.03 XXX±.005 XXXX±.0005 ANGLES± 7'30"			
						MAX. SURFACE ROUGHNESS UNLESS OTHERWISE NOTED	DRAWN BY TRB	09-09-1999	
				FINISH	CHKD BY ML	09-10-1999			
				MATERIAL	APPD BY GK	09-10-1999			
REV	DATE	CHANGE	NAME	PART NAME OUTLINE 56 FR. - BB - TEFC - 1Ø				DRWG NO A-100113LN	

PURCHASED | CADD FILE NO. | 100113LN

LOW VOLTAGE C.C.W.

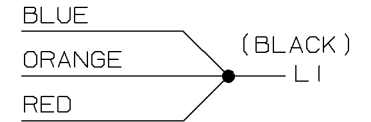


HIGH VOLTAGE C.C.W.

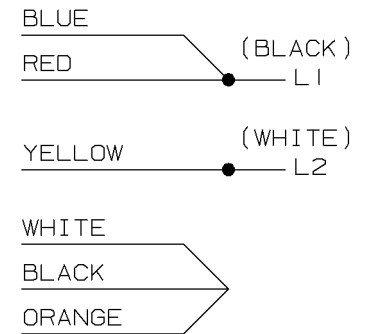


DUAL VOLTAGE CAPACITOR
START-CAP RUN NO OVERLOAD
SELECT ROTATION

LOW VOLTAGE C.C.W. ROTATION



HIGH VOLTAGE C.C.W. ROTATION



FOR C.W. ROTATION,
EITHER VOLTAGE,
INTERCHANGE RED WITH
BLACK LEAD

					✓ UNLESS OTHERWISE SPECIFIED DIMENSIONS ARE IN INCHES TOL. ON XX± XXX±.005 XXXX±.0005 ANGLES± 7'30"		
						MAX. SURFACE ROUGHNESS UNLESS OTHERWISE NOTED	DRAWN BY BLR 09-29-1999 CHKD BY DRS 09-29-1999
1	09-29-1999	NEW DRAWING	BLR		MATERIAL	APPD BY GK 09-29-1999	
REV	DATE	CHANGE	NAME	PART NAME CONNECTION DIAGRAM		DRWG NO A-102006-51-LN	

PURCHASED	CADD FILE NO.	102006-51-LN
-----------	---------------	--------------



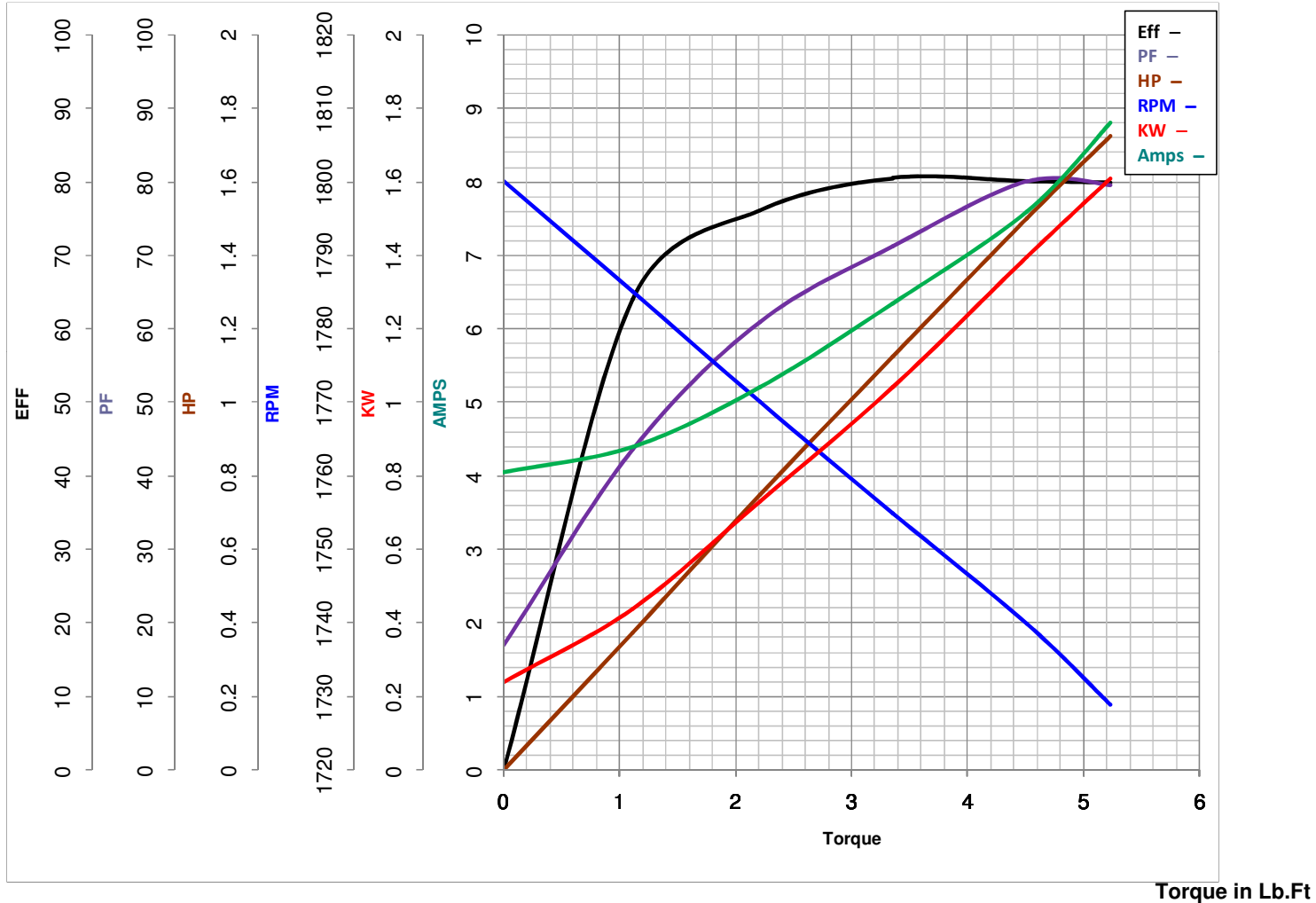
LEESON ELECTRIC CORPORATION
 TYPICAL PERFORMANCE CURVE for AC MOTOR

Model No LM24513

Curve at 230 Volts HP 1.50 PHASE 1
60 HZ
1.5 HP VOLTS 115/208-230

Catalog No LM24513D

HZ 60 RPM 1725



FL TORQUE	<u>4.51</u>	Lb.Ft	FL AMPS	<u>15.2/8.2-7.6</u>
BD TORQUE	<u>12.4</u>	Lb.Ft	PU TORQUE	<u>12.6</u> Lb.Ft
LR TORQUE	<u>14.8</u>	Lb.Ft	LR AMPS	<u>53.8</u>
WINDING	<u>ZB406-3</u>		Date	<u>4/16/2018</u>