

# PRODUCT INFORMATION PACKET



Model No: TE200

Catalog No: TE200

125 HP General Purpose Motor, 3 phase, 1800 RPM, 230/460 V, 444T Frame, TEFC  
Three Phase TEFC Motors



Regal and Century are trademarks of Regal Beloit Corporation or one of its affiliated companies.

©2019 Regal Beloit Corporation, All Rights Reserved. MC017097E

The REGAL logo consists of the word 'REGAL' in a bold, white, sans-serif font, set against a dark grey rectangular background with a slight shadow effect.

REGAL



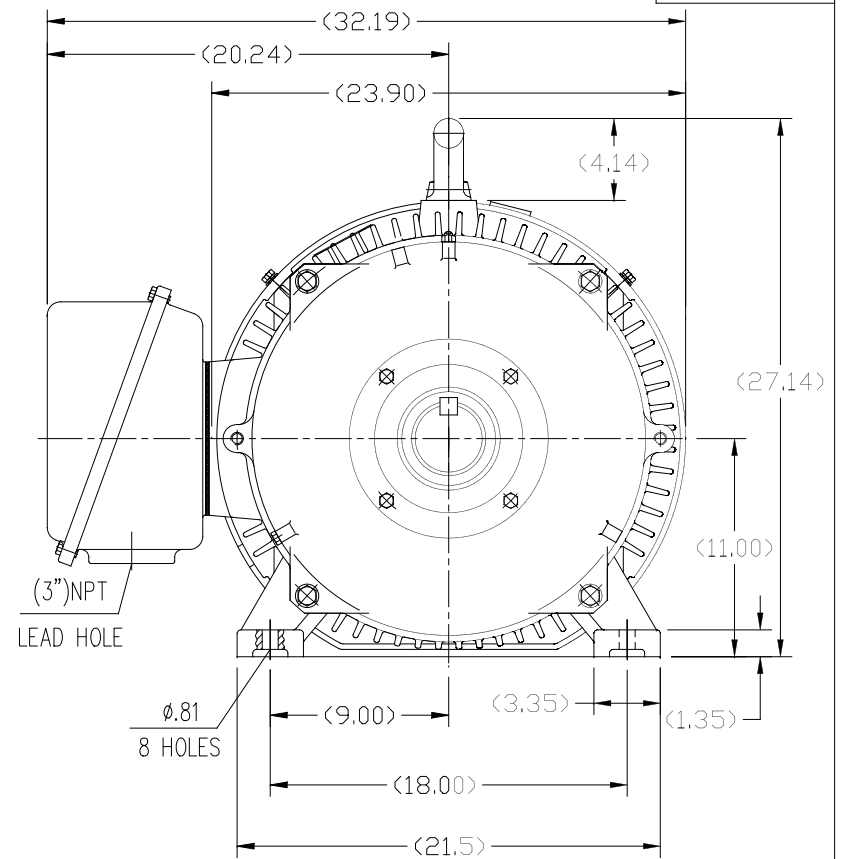
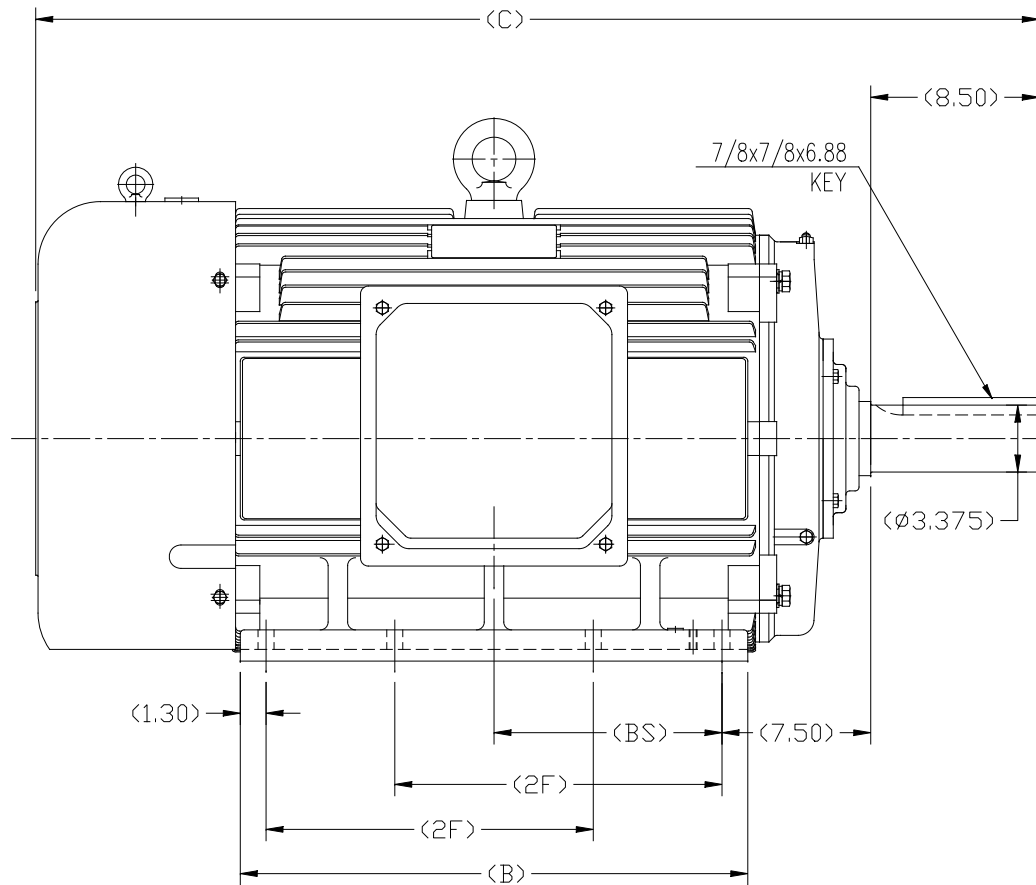
**Nameplate Specifications**

Output HP	125 Hp	Output KW	93.3 kW
Frequency	60 Hz	Voltage	230/460 V
Current	140 A	Speed	1786 rpm
Service Factor	1.15	Phase	3
Duty	Continuous	Insulation Class	F
Frame	444T	Enclosure	Totally Enclosed Fan Cooled
Thermal Protection	None	Ambient Temperature	40 °C
UL	Recognized	CSA	Y
CE	Y		

**Technical Specifications**

Electrical Type	POLYPHASE	Starting Method	Across The Line
Poles	4	Rotation	Reversible
Mounting	Rigid Base	Drive End Bearing	Ball
Opp Drive End Bearing	Ball	Frame Material	Cast Iron
Shaft Type	Keyed	Overall Length	50.79 in
Frame Length	26.77 in	Shaft Diameter	3.375 in
Shaft Extension	8.5 in		

This is an uncontrolled document once printed or downloaded and is subject to change without notice. Date Created:30/10/2019



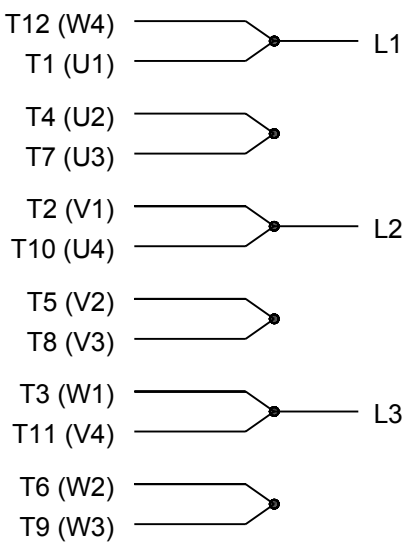
1. THIS MOTOR IS NOT DUAL DRILLED FOR 444T/445T OR 447T/449T
2. THIS MOTOR IS DRILLED FOR F1/F2 CAPABILITY

444T	50.79	25.60	14.50	11.50
445T	50.79	25.60	16.50	11.50
447T	55.91	30.70	20.00	14.06
449T	55.91	30.70	25.00	---
Frame	C	B	2F	BS

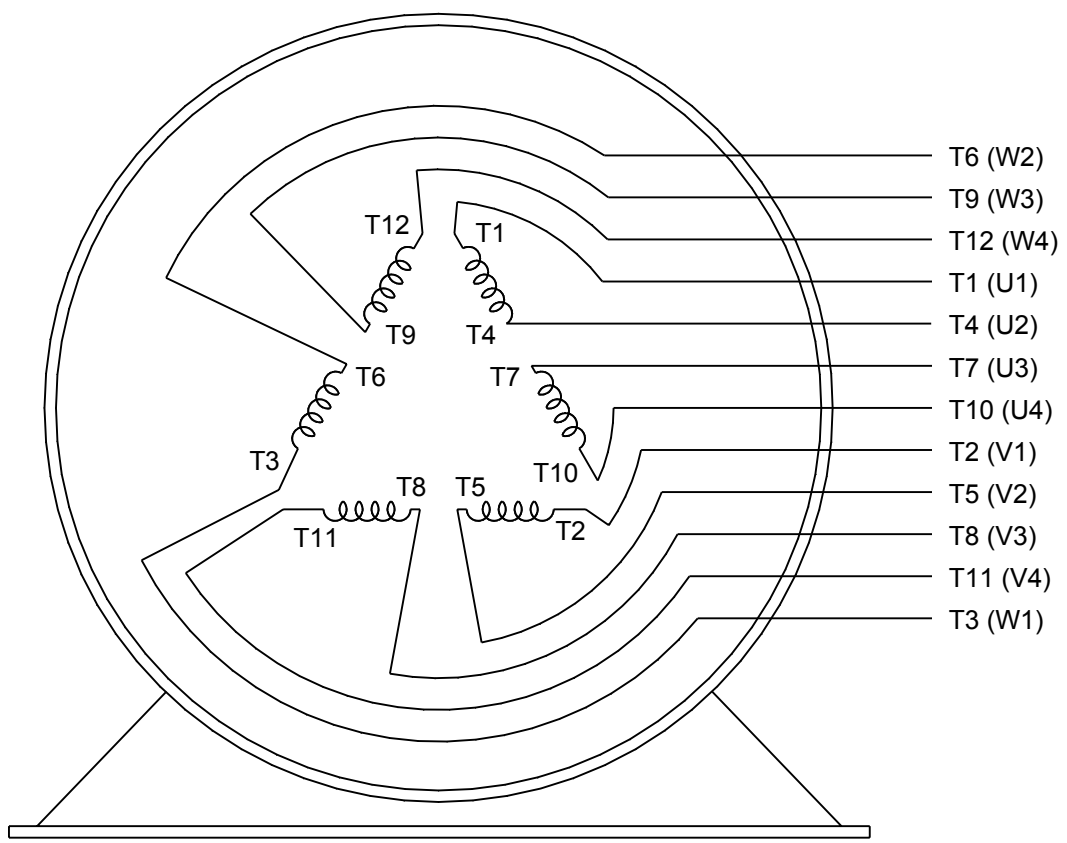
		TOLERANCES UNLESS SPECIFIED		REGAL REGAL-BELOIT CORPORATION		DRAWN ZYH 02-20-2010
		DEC.	INCHES			CHK HZJ 02-20-2010
		.X	±.1			APPD CL 02-20-2010
F	UPDATED DRAWING PER MARK-UP ECD-0108274	WGJ 7-10-16	EMH XX ±.03	TITLE OUTLINE		SCALE 1=6
B	ADDED 'BS' DIM. UPDATED TITLE BLOCK ECD-0048910	RFH 4-7-14	EH XXX ±.005	444/445/447/449T FR-TEFC-CAST IRON		REF
A	2 leads hole change to 1	CL 2010-9-8	XXXX ±.0005	MAT'L.		FMF HWADA
NO.	REVISION	BY & DATE	CHK ANG ±1/2"	FINISH		PREV
THIS DRAWING IN DESIGN AND DETAIL IS OUR PROPERTY AND MUST NOT BE USED EXCEPT IN CONNECTION WITH OUR WORK ALL RIGHTS OF DESIGN AND INVENTION ARE RESERVED THIS IS AN ELECTRONICALLY GENERATED DOCUMENT - DO NOT SCALE THIS PRINT			RFP	CAD FILE	SS620287	SIZE B
			DIST			DRAWING NO. SS620287
					REV. F	



**LOW VOLTAGE**



**HIGH VOLTAGE**



**VIEW OF TERMINAL END**

DRAWING REVISION <b>K</b>	REVISION BY <b>AJW</b>	DATE <b>07-17-2015</b>		DRAWN BY <b>LZ</b>	<b>Regal Beloit America, Inc.</b>
ECO <b>ECO-0081632</b>	APPROVED BY <b>T. VUE</b>	DATE <b>07-17-2015</b>		DATE <b>01-12-1994</b>	
ECO DESCRIPTION <b>REV'D IEC MARKINGS PER IEC 60034-8</b>				APPROVED BY <b>GK</b>	DESCRIPTION <b>CONN DIAGRAM-EXTERNAL</b>
<small>COPYRIGHT REGAL BELOIT AMERICA, INC. ALL RIGHTS RESERVED.                  PROPRIETARY AND CONFIDENTIAL INFORMATION - THIS DOCUMENT IS THE PROPERTY OF                  REGAL BELOIT AMERICA, INC. ("OWNER") AND CONTAINS OWNER'S PROPRIETARY                  INFORMATION. ANY PERSON, CORPORATION OR OTHER FIRM RECEIVING IT IS DEEMED,                  BY RECEIVING IT, TO AGREE THAT IT, AND/OR ANY PART OF IT, SHALL NOT BE DISCLOSED                  TO ANY PERSON, CORPORATION OR OTHER ENTITY, DUPLICATED, AND/OR USED, EXCEPT                  AS EXPRESSLY APPROVED IN WRITING IN ADVANCE BY OWNER. THIS DOCUMENT SHALL                  BE RETURNED TO OWNER UPON REQUEST. IT MAY BE SUBJECT TO CERTAIN                  RESTRICTIONS UNDER APPLICABLE EXPORT CONTROL LAWS AND REGULATIONS.</small>				DATE <b>01-14-1994</b>	<b>3Ø-2/1 DELTA-12 LEADS</b>
			REFERENCE	MATERIAL	PROCESS/FINISH
			THIRD ANGLE PROJECTION	SIZE <b>A</b>	DRAWING NUMBER <b>EE7308AA</b>
					SHEET <b>1 OF 1</b>