

# PRODUCT INFORMATION PACKET



Model No: 56S17D5710A

Catalog No: M900599.00

..1/2HP..1725RPM.56.DP.115V.1PH.60HZ.CONT.40C.1.25SF.RESILIENT BASE-EXTENDED  
STUDS.56S17D5710A.....BELTED FAN / SPLIT PHASE.AUTOMATIC.....

Direct Drive



Regal and Leeson are trademarks of Regal Beloit Corporation or one of its affiliated companies.

©2018 Regal Beloit Corporation, All Rights Reserved. MC017097E



**Product Information Packet: Model No: 56S17D5710A, Catalog No:M900599.00  
 ..1/2HP..1725RPM.56.DP.115V.1PH.60HZ.CONT.40C.1.25SF.RESILIENT BASE-EXTENDED  
 STUDS.56S17D5710A.....BELTED FAN / SPLIT PHASE.AUTOMATIC.....**



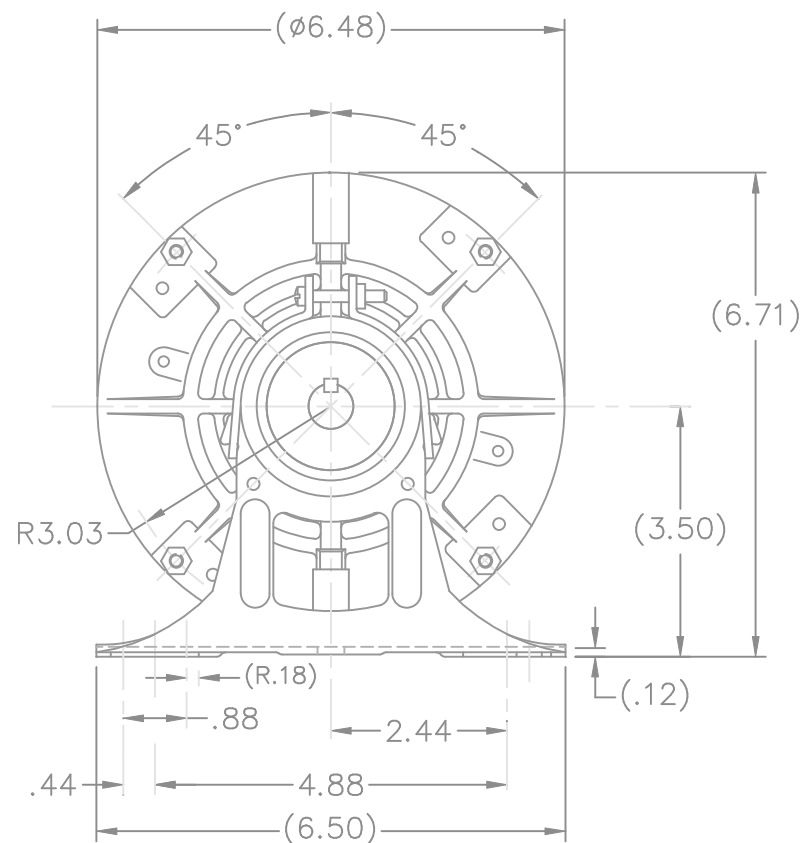
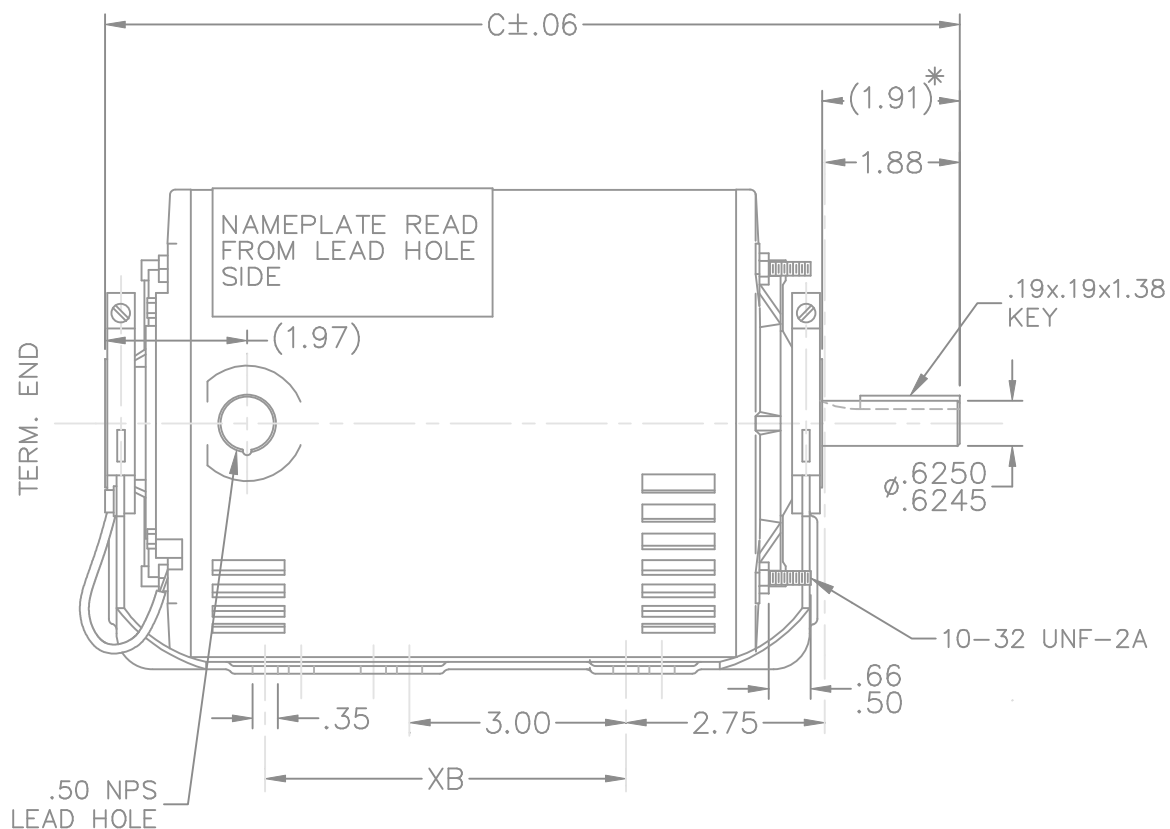
### Nameplate Specifications

Output HP	<b>0.50,0.17 Hp</b>	Output KW	<b>0.37 kW</b>
Frequency	<b>60 Hz</b>	Voltage	<b>115 V</b>
Current	<b>8.4,4.5 A</b>	Speed	<b>1725,1140 rpm</b>
Service Factor	<b>1.25</b>	Phase	<b>1</b>
Efficiency	<b>61 %</b>	Duty	<b>Continuous</b>
Insulation Class	<b>B</b>	Design Code	<b>2VT</b>
KVA Code	<b>M</b>	Frame	<b>56</b>
Enclosure	<b>Drip Proof</b>	Overload Protector	<b>Automatic</b>
Ambient Temperature	<b>40 °C</b>	Drive End Bearing Size	<b>203</b>
Opp Drive End Bearing Size	<b>203</b>	UL	<b>Recognized</b>
CSA	<b>Y</b>	CE	<b>N</b>
IP Code	<b>22</b>		

### Technical Specifications

Electrical Type	<b>Split Phase</b>	Starting Method	<b>Across The Line</b>
Poles	<b>4//6</b>	Rotation	<b>Selective Counterclockwise</b>
Mounting	<b>Resilient Base</b>	Motor Orientation	<b>HORIZONTAL</b>
Drive End Bearing	<b>BALL</b>	Opp Drive End Bearing	<b>BALL</b>
Frame Material	<b>Rolled Steel</b>	Shaft Type	<b>T</b>
Overall Length	<b>11.85 in</b>	Frame Length	<b>7.56 in</b>
Shaft Diameter	<b>0.625 in</b>	Shaft Extension	<b>1.88 in</b>
Assembly/Box Mounting	<b>F1 ONLY</b>		
Outline Drawing	<b>A-100302LE-756</b>	Connection Diagram	<b>A-102014-25-LE</b>

**This is an uncontrolled document once printed or downloaded and is subject to change without notice. Date Created: 10/15/2018**



\* DIMENSION IS FROM RESILIENT RING END CAP TO END OF SHAFT

NOTE:  
1. MOTOR MUST BE ROTATED TO .75" STRIP SOCKET CLEARANCE FOR GROUND SCREW, MAXIMUM (10 DEGREES).

DASH	FRAME	C	XB	DASH	FRAME	C	XB
606	56-60	10.35	0	806	56-80	12.35	5.00
656	"-65	10.85	0	856	"-85	12.85	5.00
706	"-70	11.35	0	906	"-90	13.35	5.00
756	"-75	11.85	5.00	956	"-95	13.85	5.00

NO.	REVISION	BY & DATE	TOLERANCES UNLESS SPECIFIED	
			CHK	ANG
5	CORRECTED DIMENSIONS PER STANDARDS	DRS 10-25-2005	DEC.	INCHES
4	REVISED DIMENSIONS TO CURRENT STANDARDS	MGM 03-12-2003	.X	±.1
3	ADDED NOTE	PGK 08-16-2002	.XX	±.03
2	REVISED STUD BOLT LENGTH WAS .66/.54	DT 08-16-2002	.XXX	±.005
1	REDRAWN; REMOVED 2 VENTS TERM END	ML 04-02-1992	.XXXX	±.0005
			ANG	±7'30"

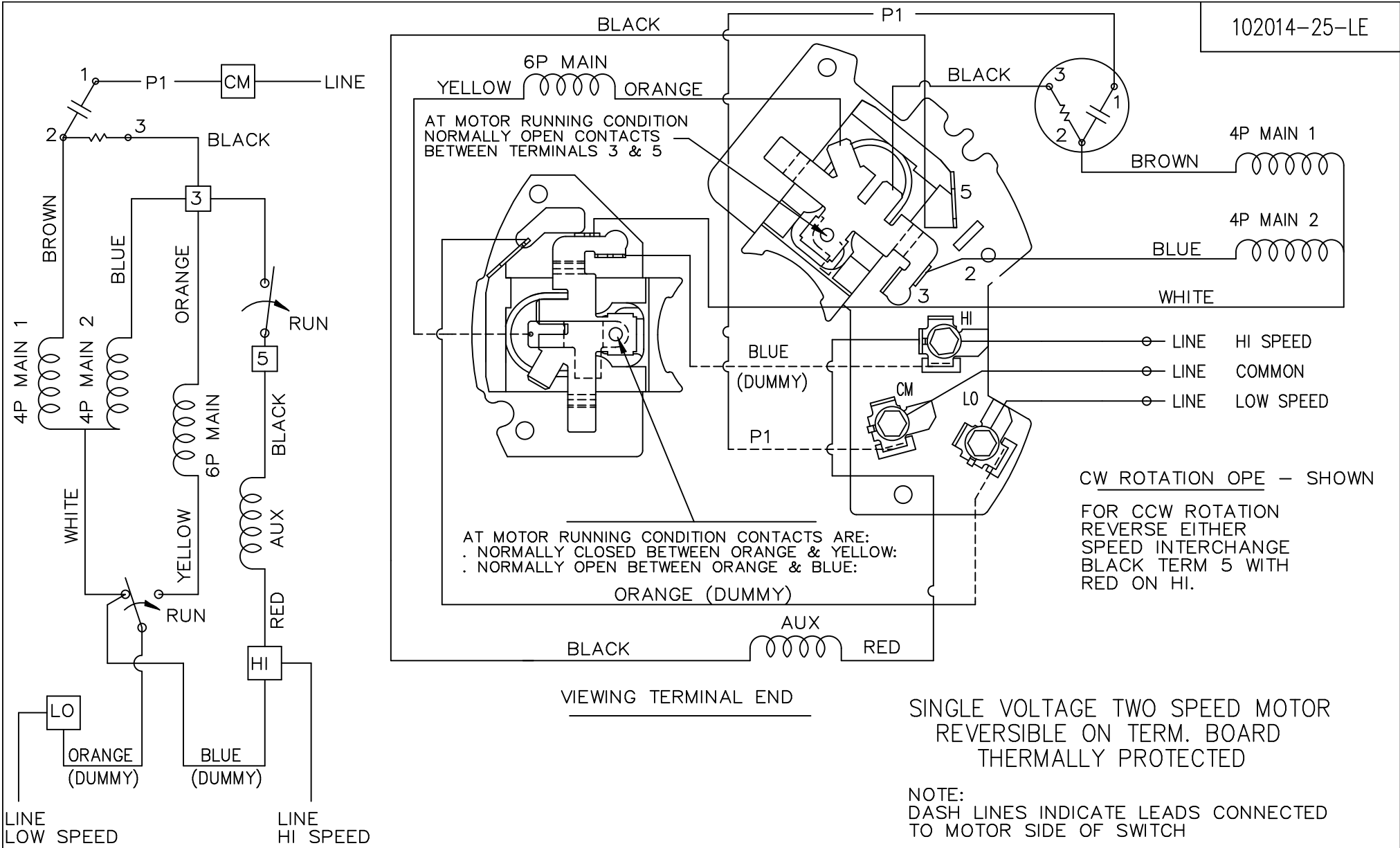


ELECTRIC MOTORS  
GEARMOTORS  
AND DRIVES

DRAWN	ML 04-01-1992
CHK	GP 04-01-1992
APPD	GK 04-01-1992
SCALE	3=8
REF	
FMF	
PREV	


TITLE	OUTLINE
	56 FR.-BB-DR.PR.-RESIL. BASE-3ø
MAT'L.	
FINISH	

THIS DRAWING IN DESIGN AND DETAIL IS OUR PROPERTY AND MUST NOT BE USED EXCEPT IN CONNECTION WITH OUR WORK ALL RIGHTS OF DESIGN AND INVENTION ARE RESERVED THIS IS AN ELECTRONICALLY GENERATED DOCUMENT - DO NOT SCALE THIS PRINT		RFP	CAD FILE	100302LE	SIZE	DRAWING NO.	PAGE	OF	REV.
		DIST	WP		A	100302LE			5



SINGLE VOLTAGE TWO SPEED MOTOR  
REVERSIBLE ON TERM. BOARD  
THERMALLY PROTECTED

NOTE:  
DASH LINES INDICATE LEADS CONNECTED  
TO MOTOR SIDE OF SWITCH

				TOLERANCES UNLESS SPECIFIED		 ELECTRIC MOTORS GEARMOTORS AND DRIVES	DRAWN RJW 02-10-2005
				DEC.	INCHES		CHK
				.X	±.1		APPD
				.XX	±.02		SCALE
				.XXX	±.005		REF
				.XXXX	±.0005	MAT'L.	FMF
NO.	REVISION	BY & DATE	CHK	ANG	±7'30"	FINISH	PREV 102014_25
THIS DRAWING IN DESIGN AND DETAIL IS OUR PROPERTY AND MUST NOT BE USED EXCEPT IN CONNECTION WITH OUR WORK ALL RIGHTS OF DESIGN AND INVENTION ARE RESERVED THIS IS AN ELECTRONICALLY GENERATED DOCUMENT - DO NOT SCALE THIS PRINT				RFP 02-10-2005	CAD FILE 102014_25_LF	SIZE A	DRAWING NO. 102014-25-LE
				DIST WP			PAGE OF
							REV.



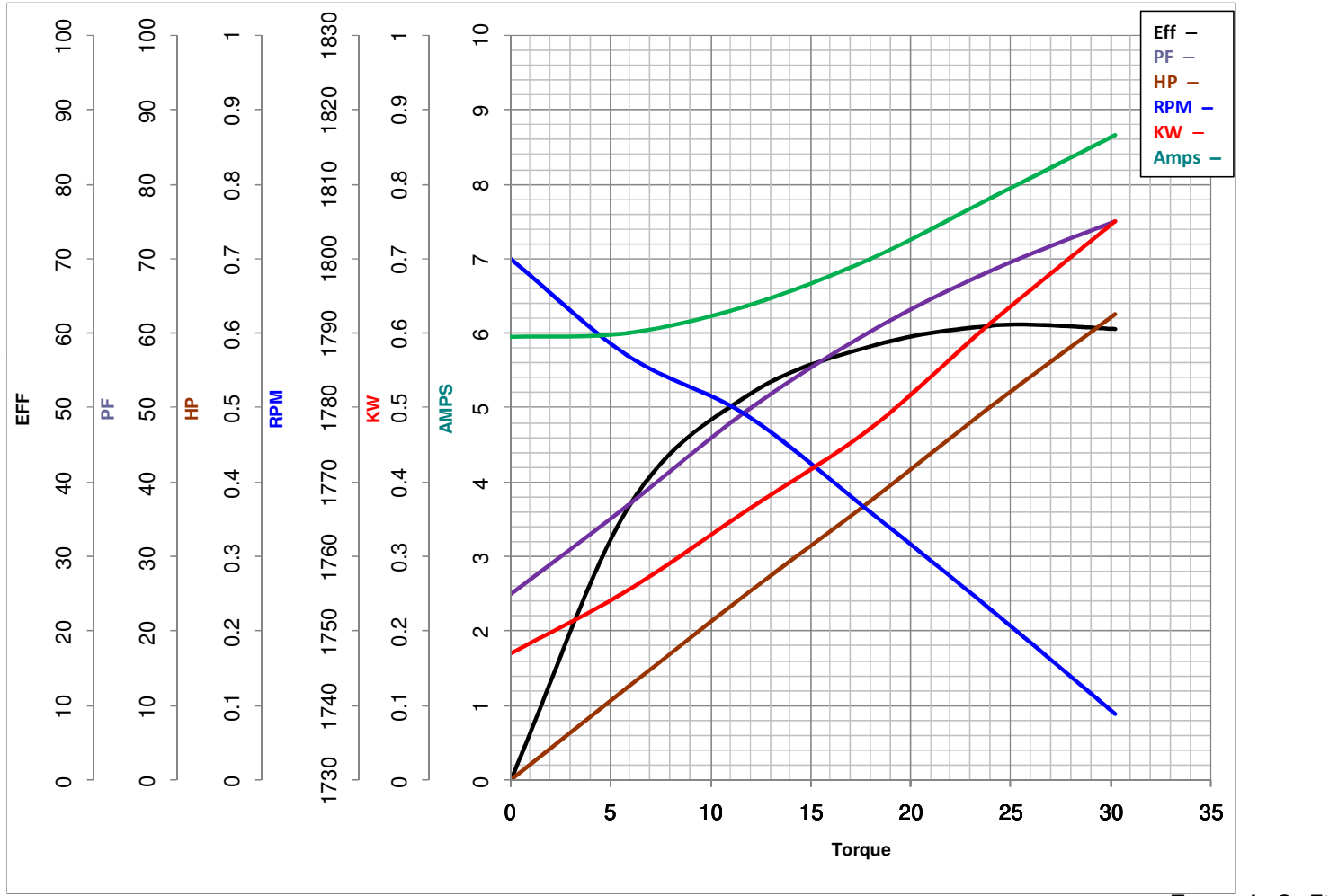
**LEESON ELECTRIC CORPORATION**  
TYPICAL PERFORMANCE CURVE for AC MOTOR

Model No M900599.00

Catalog No M900599.00

Curve at 115 Volts      HP 0.5&0.18      PHASE 1  
60 HZ  
0.5 HP      VOLTS 115&115

HZ 60&60      RPM 1725&1140



Torque in Oz.Ft

FL TORQUE 24 Oz.Ft  
BD TORQUE 51.0 Oz.Ft  
LR TORQUE 22.2 Oz.Ft

FL AMPS 8.4  
PU TORQUE 17.8 Oz.Ft  
LR AMPS 44.9

WINDING ZS(4-6)3-1

Date 3/28/2018