

PRODUCT INFORMATION PACKET



Model No: 48S17D1303F

Catalog No: M900196.00

..1/3HP..1725RPM.48.DP./V.1PH.60HZ.CONT.40C.1.35SF.RESILIENT BASE.48S17D1303F.....BELTED
FAN / SPLIT PHASE.AUTOMATIC.....

Direct Drive



Regal and Leeson are trademarks of Regal Beloit Corporation or one of its affiliated companies.

©2018 Regal Beloit Corporation, All Rights Reserved. MC017097E



**Product Information Packet: Model No: 48S17D1303F, Catalog No:M900196.00
 ..1/3HP..1725RPM.48.DP./V.1PH.60HZ.CONT.40C.1.35SF.RESILIENT BASE.48S17D1303F.....BELTED FAN / SPLIT
 PHASE.AUTOMATIC.....**



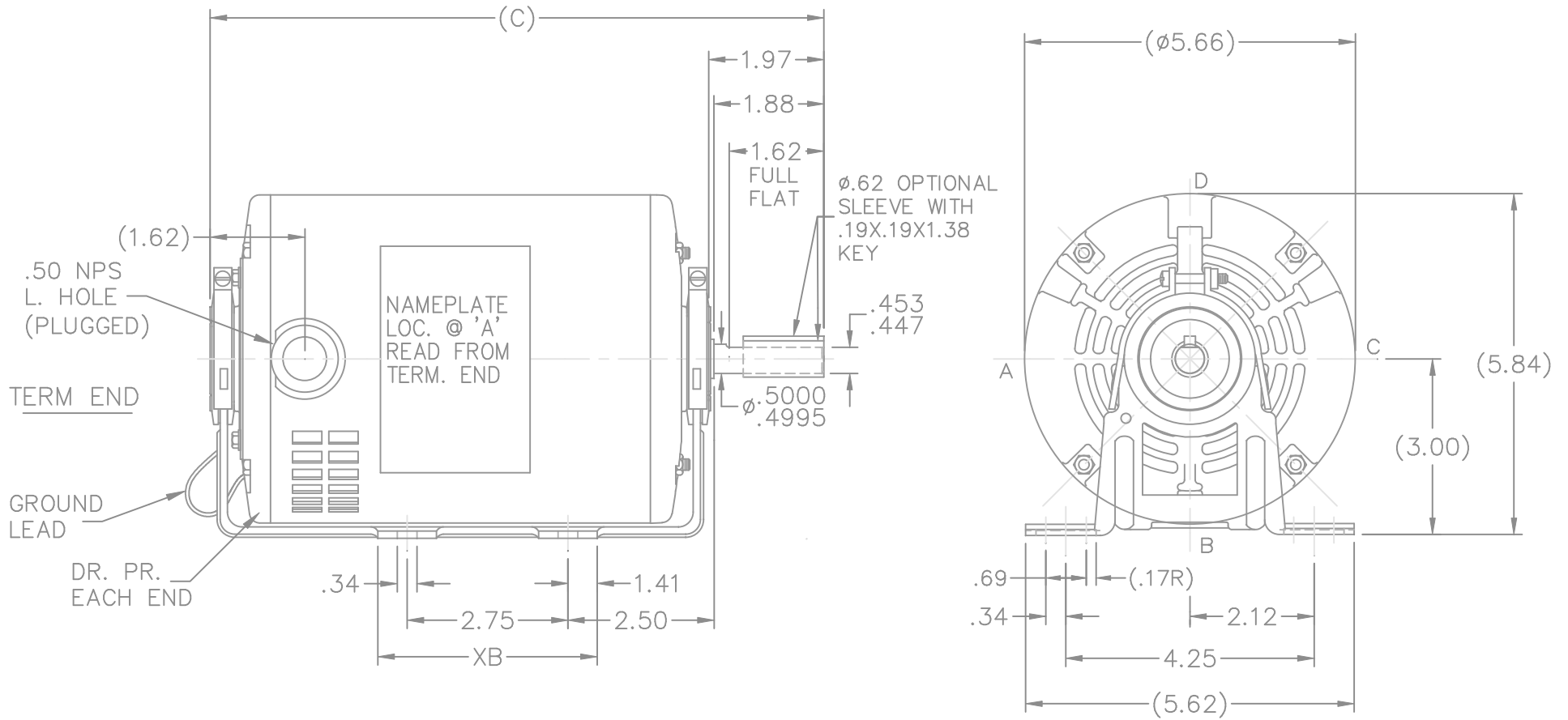
Nameplate Specifications

Output HP	0.33 Hp	Output KW	0.25 kW
Frequency	60 Hz	Voltage	115 V
Current	6.2 A	Speed	1725 rpm
Service Factor	1.35	Phase	1
Efficiency	57.5 %	Duty	Continuous
Insulation Class	B	Design Code	NO DESIGN CODE
KVA Code	M	Frame	48Z
Enclosure	Drip Proof	Overload Protector	Automatic
Ambient Temperature	40 °C	Drive End Bearing Size	6203
Opp Drive End Bearing Size	6203	UL	Recognized
CSA	Y	CE	N
IP Code	22		


Technical Specifications

Electrical Type	Split Phase	Starting Method	Across The Line
Poles	4	Rotation	Selective Counterclockwise
Mounting	Resilient Base	Motor Orientation	HORIZONTAL
Drive End Bearing	BALL	Opp Drive End Bearing	BALL
Frame Material	Rolled Steel	Shaft Type	Single Special Extension
Overall Length	9.72 in	Frame Length	5.75 in
Shaft Diameter	0.500 in	Shaft Extension	1.88 in
Assembly/Box Mounting	F1 ONLY		
Outline Drawing	A-SS403617LE-575	Connection Diagram	A-EE7195-LE

This is an uncontrolled document once printed or downloaded and is subject to change without notice. Date Created: 10/15/2018

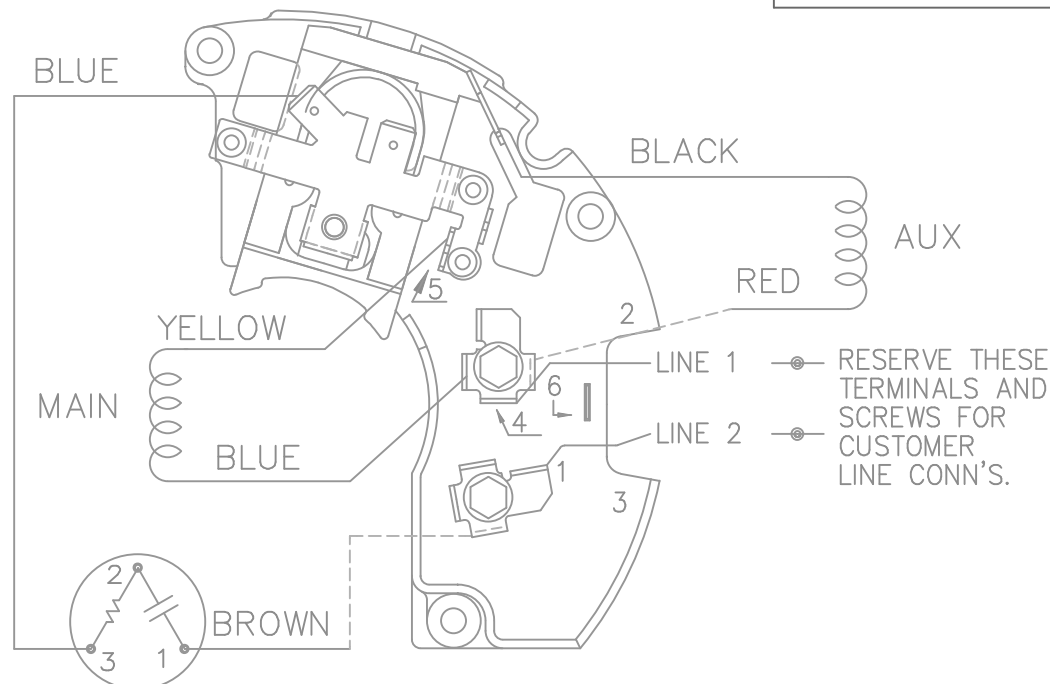
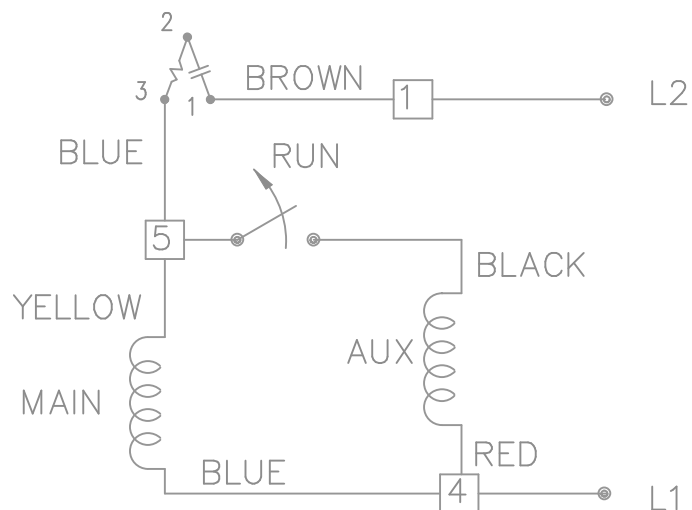


DASH	FR.	C	XB
575	48	9.72	5.94
625	48	10.22	6.44
675	48	10.72	6.94

				TOLERANCES UNLESS SPECIFIED		 ELECTRIC MOTORS GEARMOTORS AND DRIVES	DRAWN NB 12-04-2007		
				DEC.	INCHES		CHK VL 12-04-2007	APPD VL 12-04-2007	
				.X	$\pm .1$	TITLE OUTLINE	SCALE	3=8	
				.XX	$\pm .03$		REF	SS73935	
				.XXX	$\pm .005$		FMF	MU83087	
				.XXXX	$\pm .0005$		PREV		
NO.	REVISION	BY & DATE	CHK	ANG	$\pm 7'30''$	FINISH			
				RFP	12-04-2007	CAD FILE	ss403617le	SIZE	DRAWING NO. PAGE OF REV.
				DIST	WP			A	SS403617LE

10/2/2008 5:37:37 AM

SINGLE VOLTAGE – SPLIT PHASE
REVERSIBLE ON TERM BOARD
WITH OVERLOAD PROTECTION




RESERVE THESE
TERMINALS AND
SCREWS FOR
CUSTOMER
LINE CONN'S.

VIEWING TERMINAL END

C.C.W. ROTATION SHOWN.

FOR C.W. ROTATION INTERCHANGE
YELLOW & BLUE LEADS ON TERM 5 & 4.

DASH LINES INDICATE LEADS CONNECTED
TO MOTOR SIDE OF SWITCH.

				TOLERANCES UNLESS SPECIFIED		 ELECTRIC MOTORS GEARMOTORS AND DRIVES	DRAWN			
				DEC.	INCHES		HLB			
				.X	± -		ML			
				.XX	± -		JET			
1	CORRECTED PROTECTOR NUMBERS	RJW	02-21-2008	MG	.XXX	± -	SCALE			
NO.	REVISION	BY & DATE	CHK	ANG	± -	FINISH	REF			
				RFP	02-25-2004	CAD FILE ee7195_le	MU49976			
				DIST	WP		A4S17DR59A			
THIS DRAWING IN DESIGN AND DETAIL IS OUR PROPERTY AND MUST NOT BE USED EXCEPT IN CONNECTION WITH OUR WORK ALL RIGHTS OF DESIGN AND INVENTION ARE RESERVED THIS IS AN ELECTRONICALLY GENERATED DOCUMENT - DO NOT SCALE THIS PRINT						SIZE	DRAWING NO.	PAGE	OF	REV.
						A	EE7195-LE			1

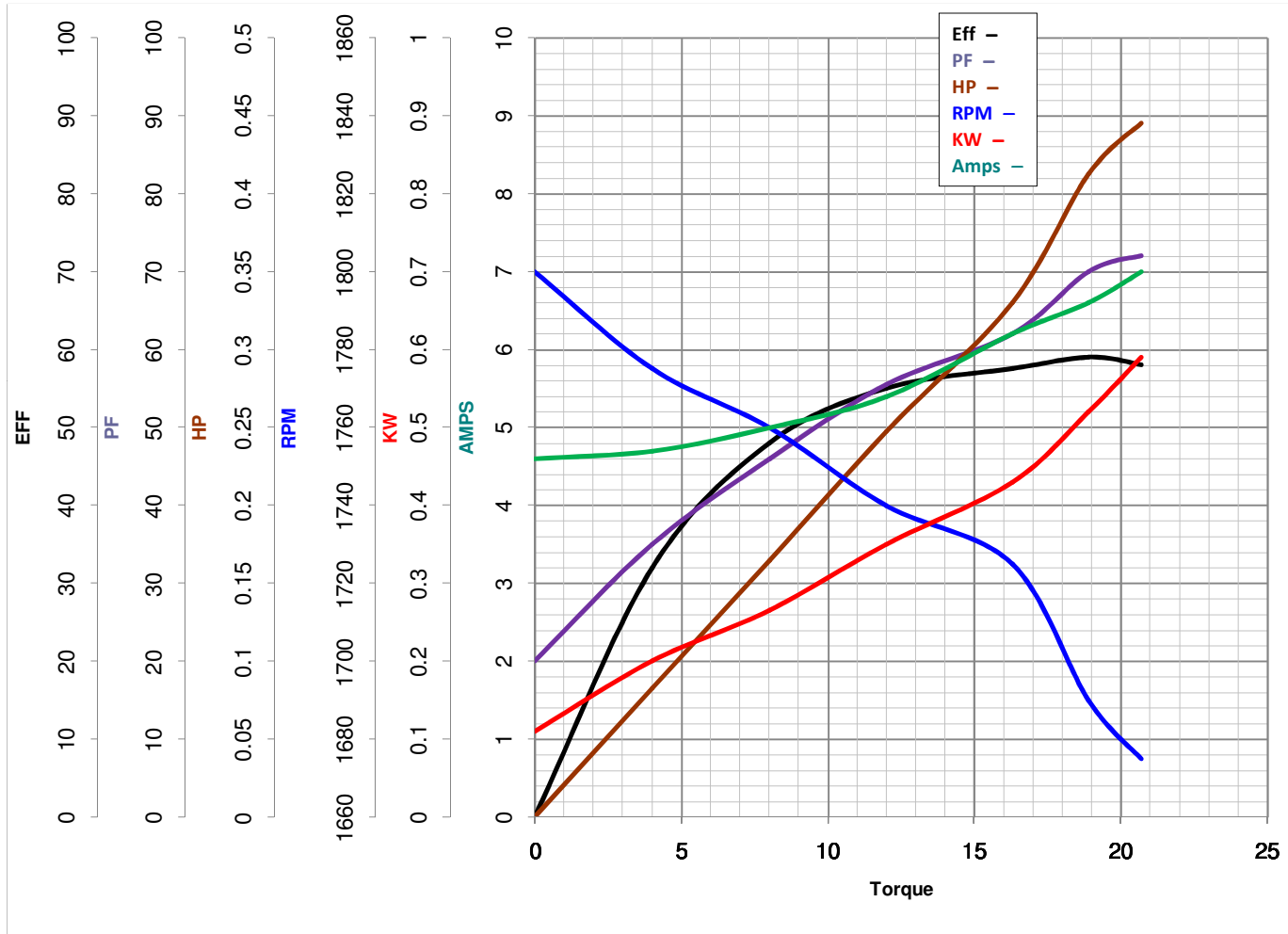


LEESON ELECTRIC CORPORATION
 TYPICAL PERFORMANCE CURVE for AC MOTOR

Model No M900196.00

Catalog No M900196.00

Curve at 230 Volts HP 0.34 PHASE 1
60 HZ
0.33 HP VOLTS 115
 HZ 60 RPM 1725



Torque in Oz.Ft

FL TORQUE 16.3 Oz.Ft
 BD TORQUE 36.9 Oz.Ft
 LR TORQUE 22.9 Oz.Ft

FL AMPS 6.2
 PU TORQUE 34.9 Oz.Ft
 LR AMPS 31

WINDING SE484121-1

Date 3/27/2018