

PRODUCT INFORMATION PACKET



Model No: 48S17D1301C

Catalog No: M900195.00

..1/4HP..1725RPM.48.DP./V.1PH.60HZ.CONT.40C.1.35SF.RESILIENT BASE.48S17D1301C.....BELTED
FAN / SPLIT PHASE.AUTOMATIC.....

Direct Drive



Regal and Leeson are trademarks of Regal Beloit Corporation or one of its affiliated companies.

©2018 Regal Beloit Corporation, All Rights Reserved. MC017097E



**Product Information Packet: Model No: 48S17D1301C, Catalog No:M900195.00
 ..1/4HP..1725RPM.48.DP./V.1PH.60HZ.CONT.40C.1.35SF.RESILIENT BASE.48S17D1301C.....BELTED FAN /
 SPLIT PHASE.AUTOMATIC.....**



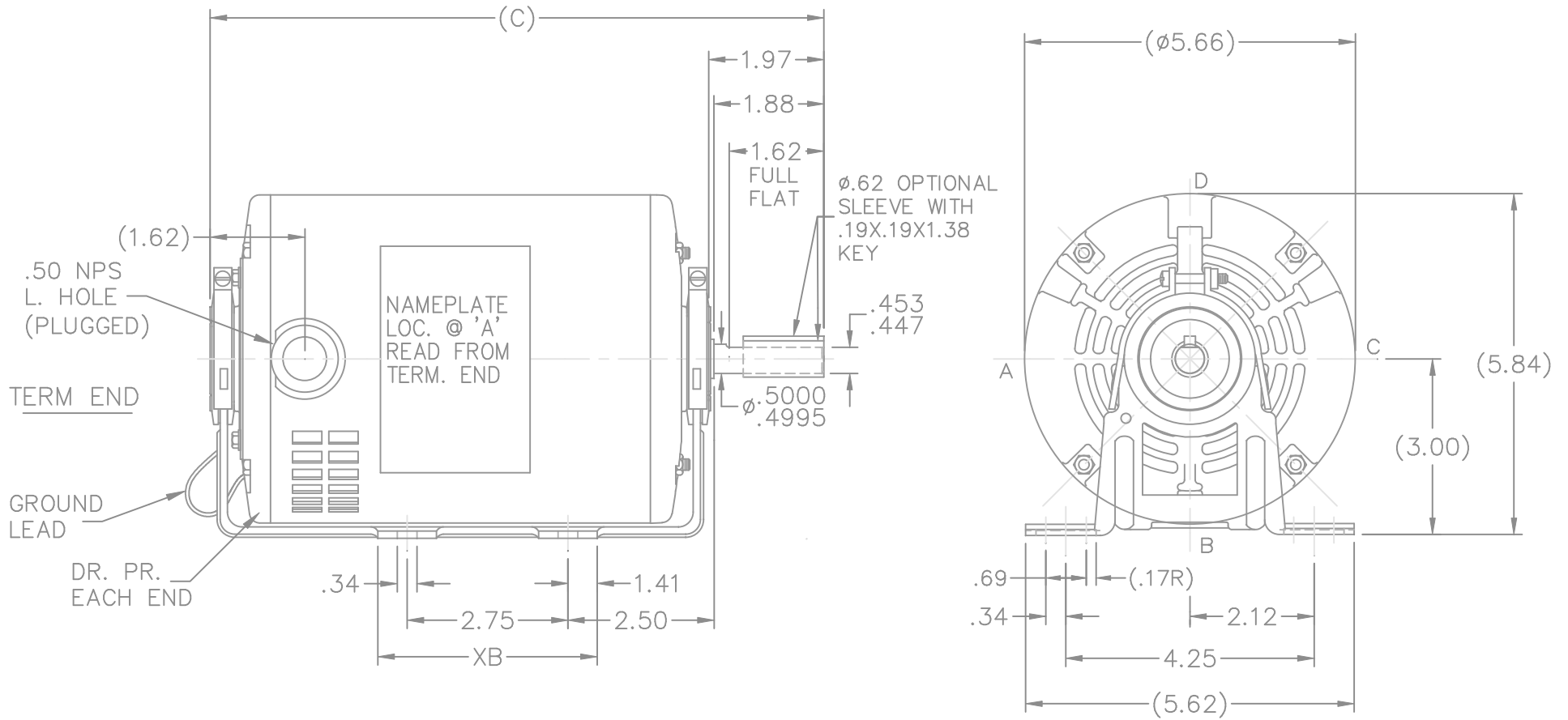
Nameplate Specifications

Output HP	0.25 Hp	Output KW	0.19 kW
Frequency	60 Hz	Voltage	115 V
Current	5.0 A	Speed	1725 rpm
Service Factor	1.35	Phase	1
Efficiency	59.5 %	Duty	Continuous
Insulation Class	B	Design Code	NO DESIGN CODE
KVA Code	P	Frame	48Z
Enclosure	Drip Proof	Overload Protector	Automatic
Ambient Temperature	40 °C	Drive End Bearing Size	203
Opp Drive End Bearing Size	203	UL	Recognized
CSA	Y	CE	N
IP Code	22		


Technical Specifications

Electrical Type	Split Phase	Starting Method	Across The Line
Poles	4	Rotation	Selective Counterclockwise
Mounting	Resilient Base	Motor Orientation	HORIZONTAL
Drive End Bearing	BALL	Opp Drive End Bearing	BALL
Frame Material	Rolled Steel	Shaft Type	Single Special Extension
Overall Length	9.72 in	Frame Length	5.75 in
Shaft Diameter	0.500 in	Shaft Extension	1.88 in
Assembly/Box Mounting	F1 ONLY		
Outline Drawing	A-SS403617LE-575	Connection Diagram	A-EE7195-LE

This is an uncontrolled document once printed or downloaded and is subject to change without notice. Date Created: 10/15/2018

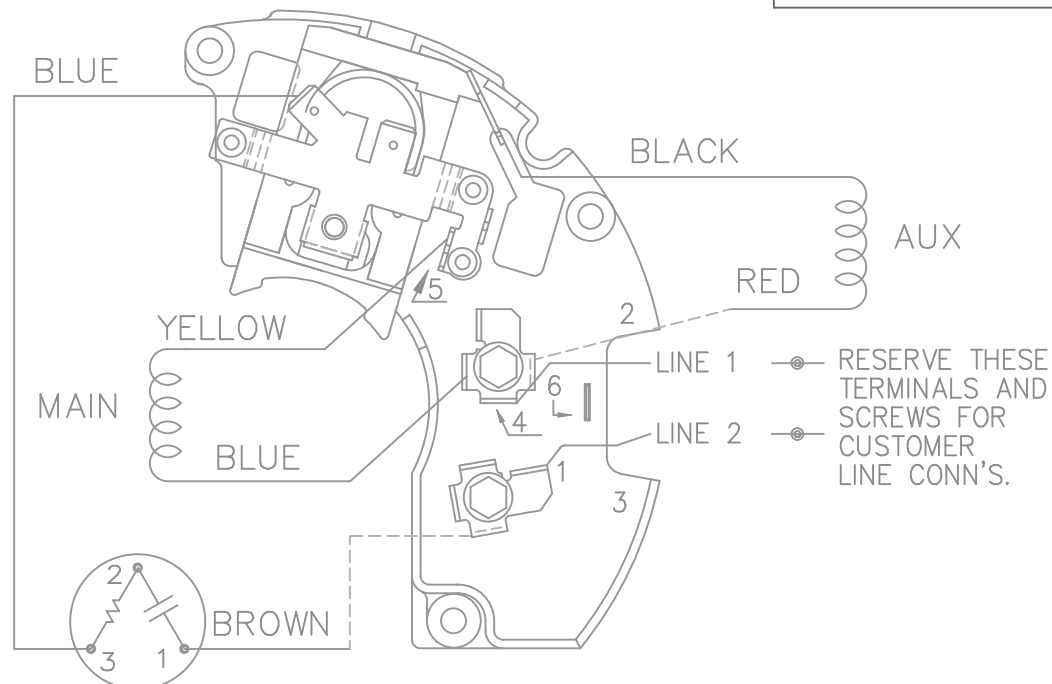
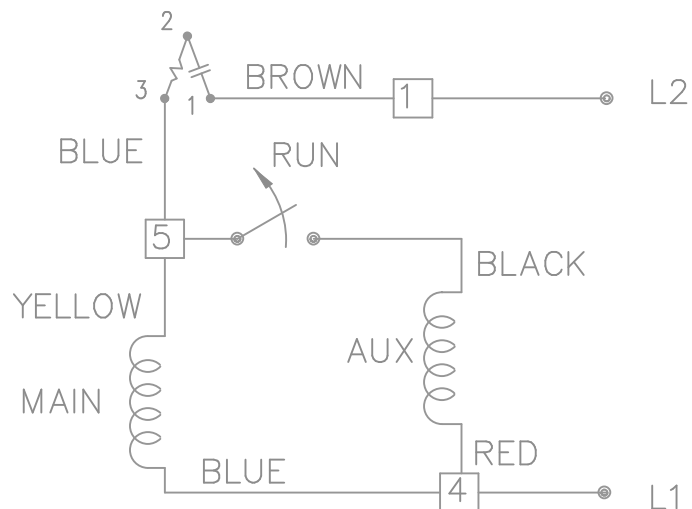


DASH	FR.	C	XB
575	48	9.72	5.94
625	48	10.22	6.44
675	48	10.72	6.94

				TOLERANCES UNLESS SPECIFIED		 ELECTRIC MOTORS GEARMOTORS AND DRIVES	DRAWN NB 12-04-2007			
				DEC.	INCHES		CHK VL 12-04-2007			
				.X	±.1		APPD VL 12-04-2007			
				.XX	±.03		SCALE 3=8			
				.XXX	±.005		REF SS73935			
				.XXXX	±.0005		FMF MU83087			
NO.	REVISION	BY & DATE	CHK	ANG	±7'30"	FINISH	PREV			
			RFP	12-04-2007		CAD FILE ss403617le	SIZE A	DRAWING NO. SS403617LE	PAGE OF	REV.
			DIST	WP						

10/2/2008 5:37:37 AM

SINGLE VOLTAGE – SPLIT PHASE
REVERSIBLE ON TERM BOARD
WITH OVERLOAD PROTECTION




VIEWING TERMINAL END

C.C.W. ROTATION SHOWN.

FOR C.W. ROTATION INTERCHANGE
YELLOW & BLUE LEADS ON TERM 5 & 4.

DASH LINES INDICATE LEADS CONNECTED
TO MOTOR SIDE OF SWITCH.

				TOLERANCES UNLESS SPECIFIED		 ELECTRIC MOTORS GEARMOTORS AND DRIVES	DRAWN HLB 02-24-2004		
				DEC.	INCHES		CHK ML 02-25-2004		
				.X	± -		APPD JET 02-25-2004		
				.XX	± -		SCALE		
				.XXX	± -	TITLE CONNECTION DIADRAM 48 FR. SINGLE VOLTAGE REVERSIBLE	REF MU49976		
1	CORRECTED PROTECTOR NUMBERS	RJW 02-21-2008	MG	.XXXX	± -	MAT'L.	FMF A4S17DR59A		
NO.	REVISION	BY & DATE	CHK	ANG	± -	FINISH	PREV		
THIS DRAWING IN DESIGN AND DETAIL IS OUR PROPERTY AND MUST NOT BE USED EXCEPT IN CONNECTION WITH OUR WORK ALL RIGHTS OF DESIGN AND INVENTION ARE RESERVED THIS IS AN ELECTRONICALLY GENERATED DOCUMENT - DO NOT SCALE THIS PRINT				RFP	02-25-2004	CAD FILE ee7195_le	SIZE	DRAWING NO. PAGE OF	REV.
				DIST	WP		A	EE7195-LE	1



LEESON ELECTRIC CORPORATION
 TYPICAL PERFORMANCE CURVE for AC MOTOR

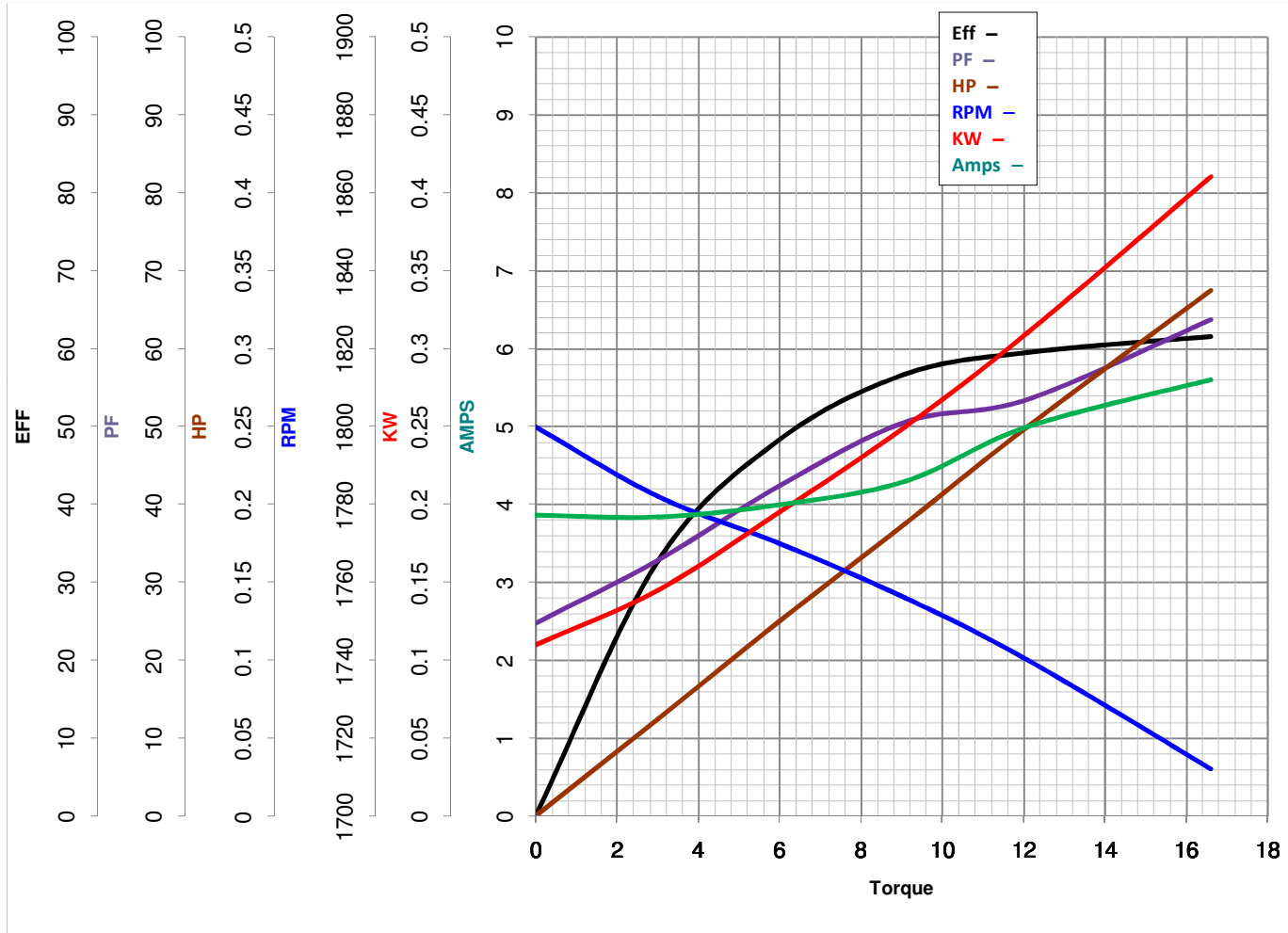
Curve at 115 Volts HP 0.26 PHASE 1
60 HZ
0.25 HP VOLTS 115

Model No M900195.00

Catalog No M900195.00

HZ 60

RPM 1725



Torque in Oz.Ft

FL TORQUE 12.1 Oz.Ft
 BD TORQUE 27.5 Oz.Ft
 LR TORQUE 17.3 Oz.Ft

FL AMPS 5
 PU TORQUE 16.7 Oz.Ft
 LR AMPS 26.4

WINDING SE48459-1

Date 3/22/2018