

# PRODUCT INFORMATION PACKET



Model No: CM38T17FZ23A

Catalog No: M1145147.00

..3/8HP..172RPM.38.TEFC./208-230V.3PH.60HZ.....CM38T17FZ23A.13...10:1.WASHDOWN  
DUTY..105LBIN.....

Washguard



Regal and Leeson are trademarks of Regal Beloit Corporation or one of its affiliated companies.

©2018 Regal Beloit Corporation, All Rights Reserved. MC017097E





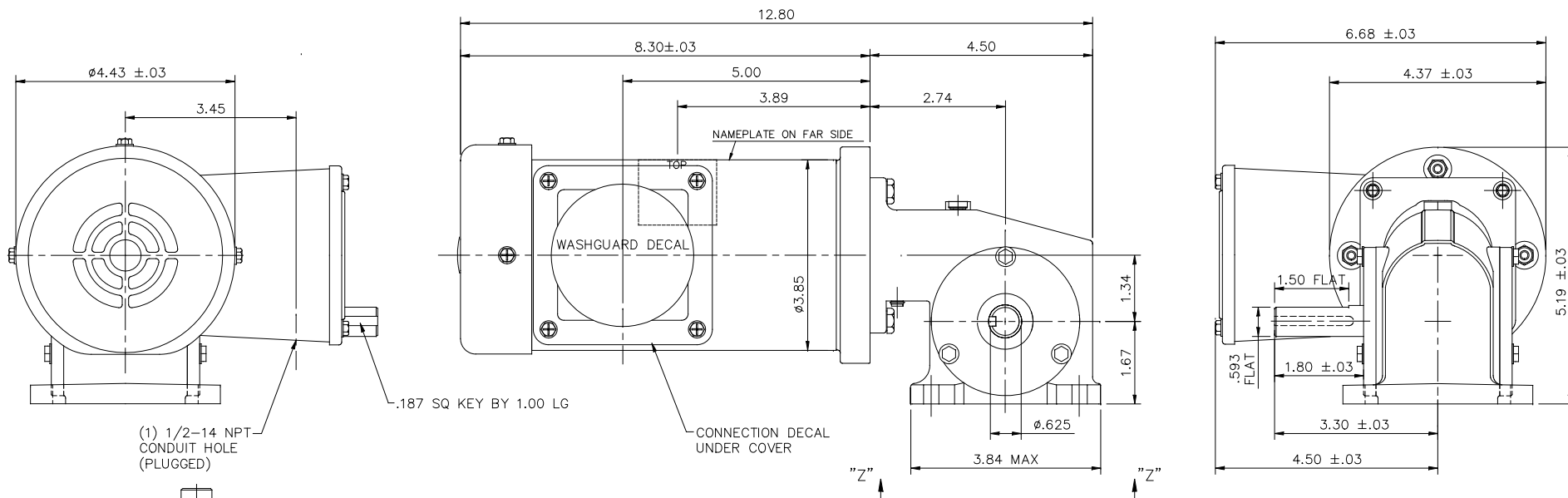
### Nameplate Specifications

Output HP	<b>0.38 Hp</b>	Output KW	<b>0.28 kW</b>
Frequency	<b>60 Hz</b>	Voltage	<b>190 V</b>
Current	<b>1.4-1.3 A</b>	Speed	<b>172 rpm</b>
Service Factor	<b>1</b>	Phase	<b>3</b>
Duty	<b>Continuous</b>	Insulation Class	<b>F</b>
KVA Code	<b>G</b>	Frame	<b>38</b>
Enclosure	<b>Totally Enclosed Fan Cooled</b>	Overload Protector	<b>No</b>
Ambient Temperature	<b>40 °C</b>	Drive End Bearing Size	<b>6201</b>
Opp Drive End Bearing Size	<b>6201</b>	UL	<b>Recognized</b>
CSA	<b>Y</b>	CE	<b>N</b>

### Technical Specifications

Rotation	<b>Reversible</b>	Mounting	<b>Special</b>
Shaft Type	<b>Right Angle</b>	Overall Length	<b>12.80 in</b>
Frame Length	<b>6.38 in</b>	Shaft Diameter	<b>0.625 in</b>
Shaft Extension	<b>1.5 in</b>		
Outline Drawing	<b>OLM1145147-M1145147</b>	Connection Diagram	<b>005102.01</b>

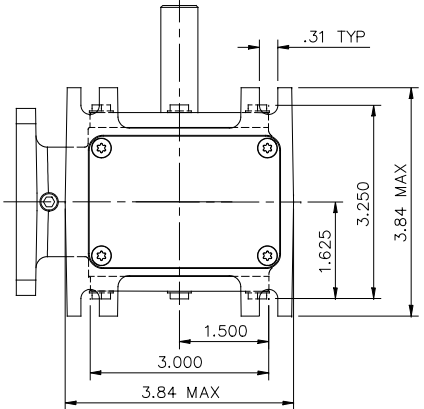
**This is an uncontrolled document once printed or downloaded and is subject to change without notice. Date Created: 10/15/2018**



(1) 1/2-14 NPT  
CONDUIT HOLE  
(PLUGGED)

.187 SQ KEY BY 1.00 LG

CONNECTION DECAL  
UNDER COVER



VIEW "Z-Z"

CATALOG NUMBER	SPEED RANGE RPM	FULL LOAD TORQUE LB.-IN.	INPUT HP	OVERHUNG LOAD LBS.	GEARMOTOR TYPE & FRAME	RATIO TO 1
M1145147.00	172	105	3/8	235	13F10-38F	10

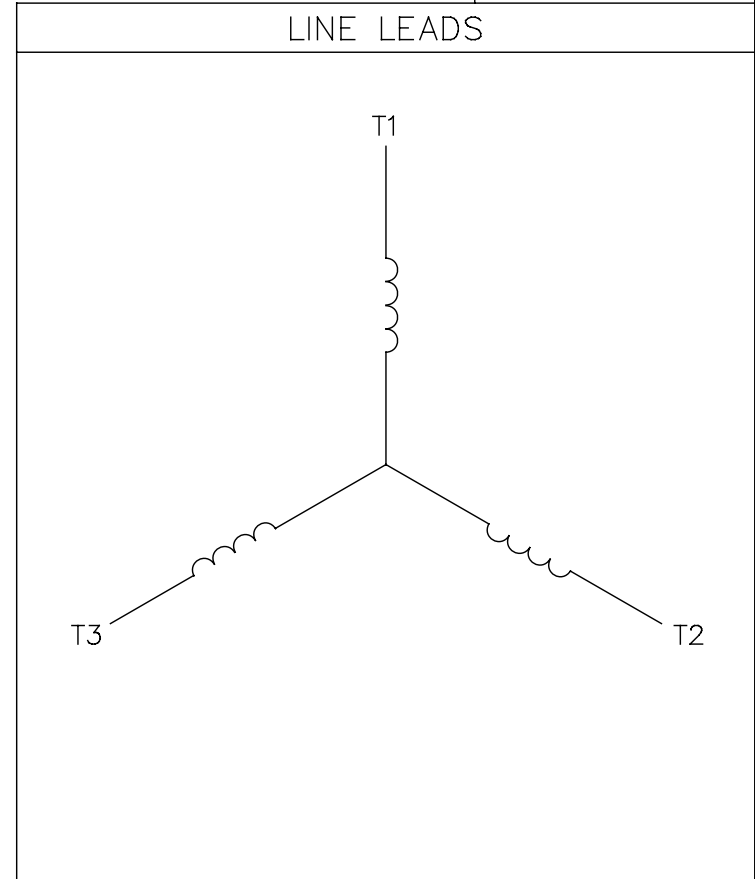
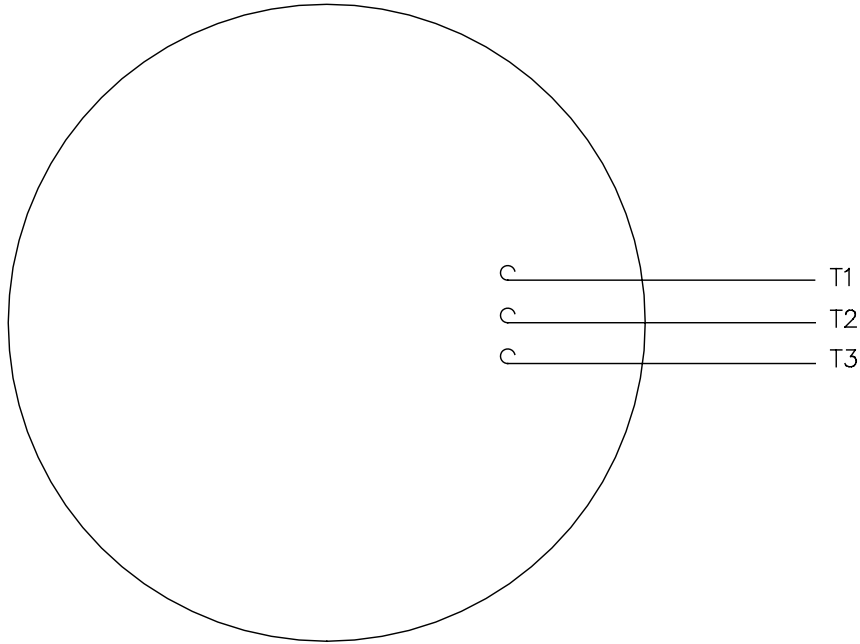
NOTES:  
1) O-RINGS BETWEEN FRAME AND ENDBELLS.  
2) GASKETS THROUGHOUT.

ORACLE REV	002
------------	-----

TOLERANCES UNLESS SPECIFIED		DEC.	INCHES	TITLE	DRAWN	SRS 12/16/08
DEC.	INCHES					
.X	±.1			ELECTRIC MOTORS GEARMOTORS AND DRIVES  OUTLINE DRAWING R13 SERIES - 38 FRAME WASHGUARD	CHK	
.XX	±.03				APPD	
.XXX	±.005				SCALE	1=2
.XXXX	±.0005				REF	M1030422.00
CHG NO. OF FANGUARD MTG SCREWS PER ECO-0149815	ARV 7/30/18	SK	.XXX ±.0005	MAT'L.	FMF	M1145147.00
REVISION	BY & DATE	CHK	ANG ±1/2"	FINISH	PREV	
THIS DRAWING IN DESIGN AND DETAIL IS OUR PROPERTY AND MUST NOT BE USED EXCEPT IN CONNECTION WITH OUR WORK ALL RIGHTS OF DESIGN AND INVENTION ARE RESERVED THIS IS AN ELECTRONICALLY GENERATED DOCUMENT - DO NOT SCALE THIS PRINT				RFP	CAD FILE	OLM1145147
				DIST	SIZE	DRAWING NO.
					B	OLM1145147
					REV.	E

005102-01

VIEW FROM OUTSIDE OF MOTOR AT SWITCH END.



CONNECT LEADS AS FOLLOWS  
FOR FOUR CONDUCTOR CORD ( )

CORD	L1 (RED)	L2 (WHITE)	L3 (BLACK)	(GREEN)
MOTOR	T1	T2	T3	GROUND

				TOLERANCES UNLESS SPECIFIED		<b>REGAL</b> ™ <b>Regal Beloit America, Inc.</b>		DRAWN JRW 9/11/75		
				DEC.	INCHES			CHK		
				.X	±.1			APPD JCW 9/11/75		
08	UPDATED TO REGAL LOGO	SAJ 06/26/15	AJY	.XX	±.01	TITLE EXTERNAL WIRING DIAGRAM TYPE "T" W/O PROTECTOR		SCALE 1=1		
07	UPDATED TO CURRENT STANDARDS	DBT 5/30/97		.XXX	±.005			REF W-T6343-6		
06	REDRAWN ON CAD; ADDED DECAL NUMBER	SAW 1/24/95		.XXXX	±.0005			FMF 6T17FB7		
NO.	REVISION	BY & DATE	CHK	ANG	±1/2"	FINISH		PREV		
THIS DRAWING IN DESIGN AND DETAIL IS OUR PROPERTY AND MUST NOT BE USED EXCEPT IN CONNECTION WITH OUR WORK ALL RIGHTS OF DESIGN AND INVENTION ARE RESERVED THIS IS AN ELECTRONICALLY GENERATED DOCUMENT - DO NOT SCALE THIS PRINT				RFP	5/1/02	CAD FILE 00510201		SIZE	DRAWING NO.	REV.
				DIST BRF-NLV				A	005102-01	08