

PRODUCT INFORMATION PACKET

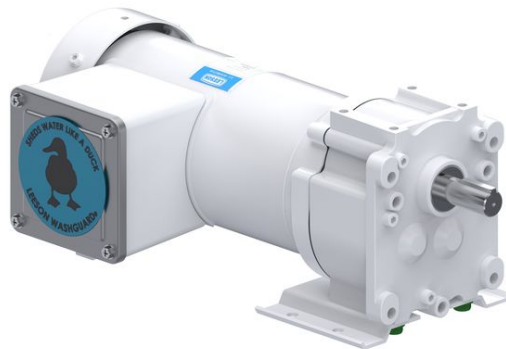


Model No: CM38T17FZ21A

Catalog No: M1145145.00

..1/6HP..30RPM.38.TEFC./208-230V.3PH.60HZ.....CM38T17FZ21A.P240...58:1.WASHDOWN
DUTY..295LBIN.....

P240 Series



Regal and Leeson are trademarks of Regal Beloit Corporation or one of its affiliated companies.

©2018 Regal Beloit Corporation, All Rights Reserved. MC017097E





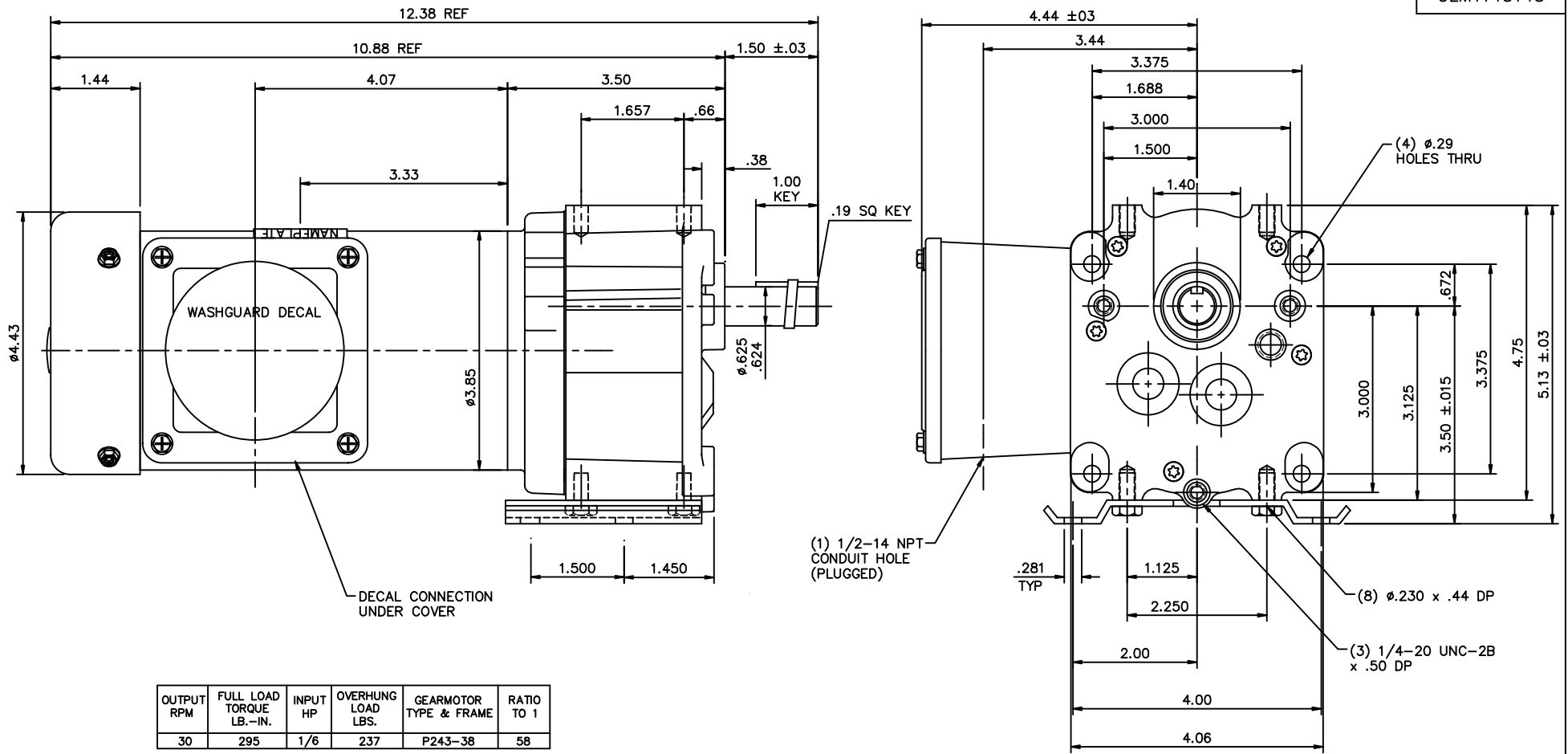
Nameplate Specifications

Output HP	0.17 Hp	Output KW	0.12 kW
Frequency	60 Hz	Voltage	190 V
Current	0.72 A	Speed	30 rpm
Service Factor	1	Phase	3
Duty	Continuous	Insulation Class	F
KVA Code	J	Frame	38
Enclosure	Totally Enclosed Fan Cooled	Overload Protector	No
Ambient Temperature	40 °C	Drive End Bearing Size	6201
Opp Drive End Bearing Size	6201	UL	Recognized
CSA	Y	CE	N


Technical Specifications

Rotation	Reversible	Mounting	Special
Shaft Type	Parallel	Overall Length	12.38 in
Frame Length	6.13 in	Shaft Diameter	0.625 in
Shaft Extension	1.5 in		
Outline Drawing	OLM1145145	Connection Diagram	005102.01

This is an uncontrolled document once printed or downloaded and is subject to change without notice. Date Created: 10/15/2018

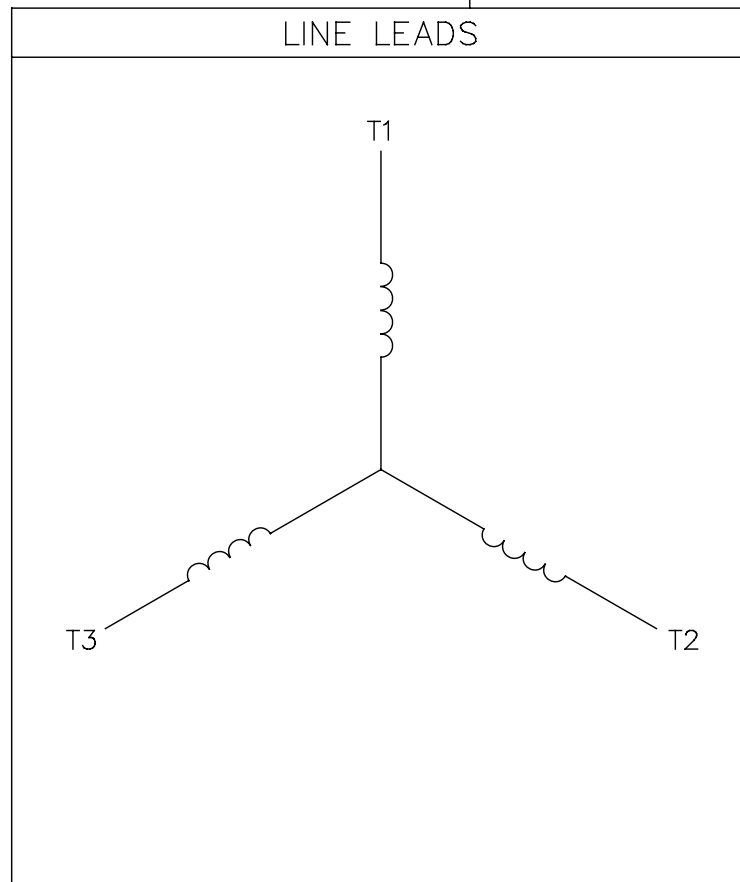
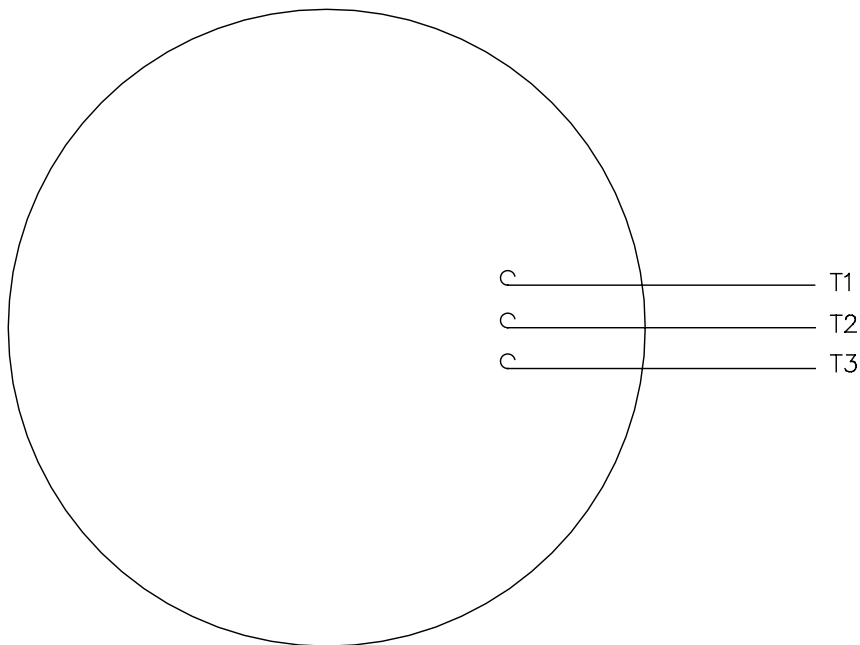


OUTPUT RPM	FULL LOAD TORQUE LB.-IN.	INPUT HP	OVERHUNG LOAD LBS.	GEARMOTOR TYPE & FRAME	RATIO TO 1
30	295	1/6	237	P243-38	58

		TOLERANCES UNLESS SPECIFIED		 ELECTRIC MOTORS GEARMOTORS AND DRIVES	DRAWN SRS 12/16/08	
DEC.	INCHES	CHK	ANG		APPD	REV.
	.X	±.1				
	.XX	±.03				
	.XXX	±.005				
	.XXXX	±.0005				
01	ADDED LOCATION OF 1/2-14 NPT ISAAC 10-4079	GWS	6/13/11	TITLE		SCALE 5=8
	REVISION	CHK	ANG	OUTLINE DRAWING		REF M1030381
		CHK	ANG	P240 GEARMOTOR - 38 FRAME WASHGUARD		FMF M1145145
THIS DRAWING IN DESIGN AND DETAIL IS OUR PROPERTY AND MUST NOT BE USED EXCEPT IN CONNECTION WITH OUR WORK ALL RIGHTS OF DESIGN AND INVENTION ARE RESERVED THIS IS AN ELECTRONICALLY GENERATED DOCUMENT - DO NOT SCALE THIS PRINT				RFP	FINISH	PREV
				CAD FILE	OLM1145145	SIZE B
				DIST		DRAWING NO. OLM1145145
						REV. 01

005102-01

VIEW FROM OUTSIDE OF MOTOR AT SWITCH END.



CONNECT LEADS AS FOLLOWS
FOR FOUR CONDUCTOR CORD ()

CORD	L1 (RED)	L2 (WHITE)	L3 (BLACK)	(GREEN)
MOTOR	T1	T2	T3	GROUND

				TOLERANCES UNLESS SPECIFIED		REGAL ™ Regal Beloit America, Inc.		DRAWN JRW 9/11/75		
				DEC.	INCHES			CHK		
				.X	±.1			APPD JCW 9/11/75		
08	UPDATED TO REGAL LOGO	SAJ 06/26/15	AJY	.XX	±.01	TITLE EXTERNAL WIRING DIAGRAM TYPE "T" W/O PROTECTOR		SCALE 1=1		
07	UPDATED TO CURRENT STANDARDS	DBT 5/30/97		.XXX	±.005			REF W-T6343-6		
06	REDRAWN ON CAD; ADDED DECAL NUMBER	SAW 1/24/95		.XXXX	±.0005			FMF 6T17FB7		
NO.	REVISION	BY & DATE	CHK	ANG	±1/2"	FINISH		PREV		
THIS DRAWING IN DESIGN AND DETAIL IS OUR PROPERTY AND MUST NOT BE USED EXCEPT IN CONNECTION WITH OUR WORK ALL RIGHTS OF DESIGN AND INVENTION ARE RESERVED THIS IS AN ELECTRONICALLY GENERATED DOCUMENT - DO NOT SCALE THIS PRINT				RFP	5/1/02	CAD FILE 00510201		SIZE	DRAWING NO.	REV.
				DIST BRF-NLV				A	005102-01	08