

PRODUCT INFORMATION PACKET

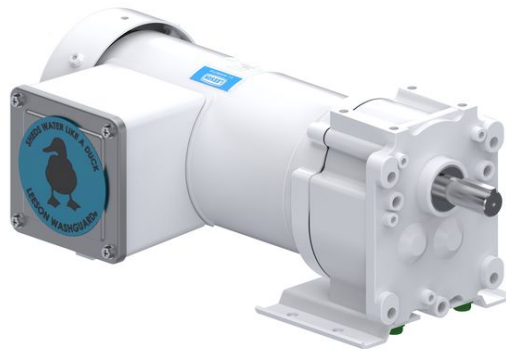


Model No: CM38T17FZ20A

Catalog No: M1145144.00

..1/6HP..16RPM.38.TEFC.208-230V.3PH.60HZ.....CM38T17FZ20A.P240...103:1.WASHDOWN
DUTY..391LBIN.....

P240 Series



Regal and Leeson are trademarks of Regal Beloit Corporation or one of its affiliated companies.

©2018 Regal Beloit Corporation, All Rights Reserved. MC017097E





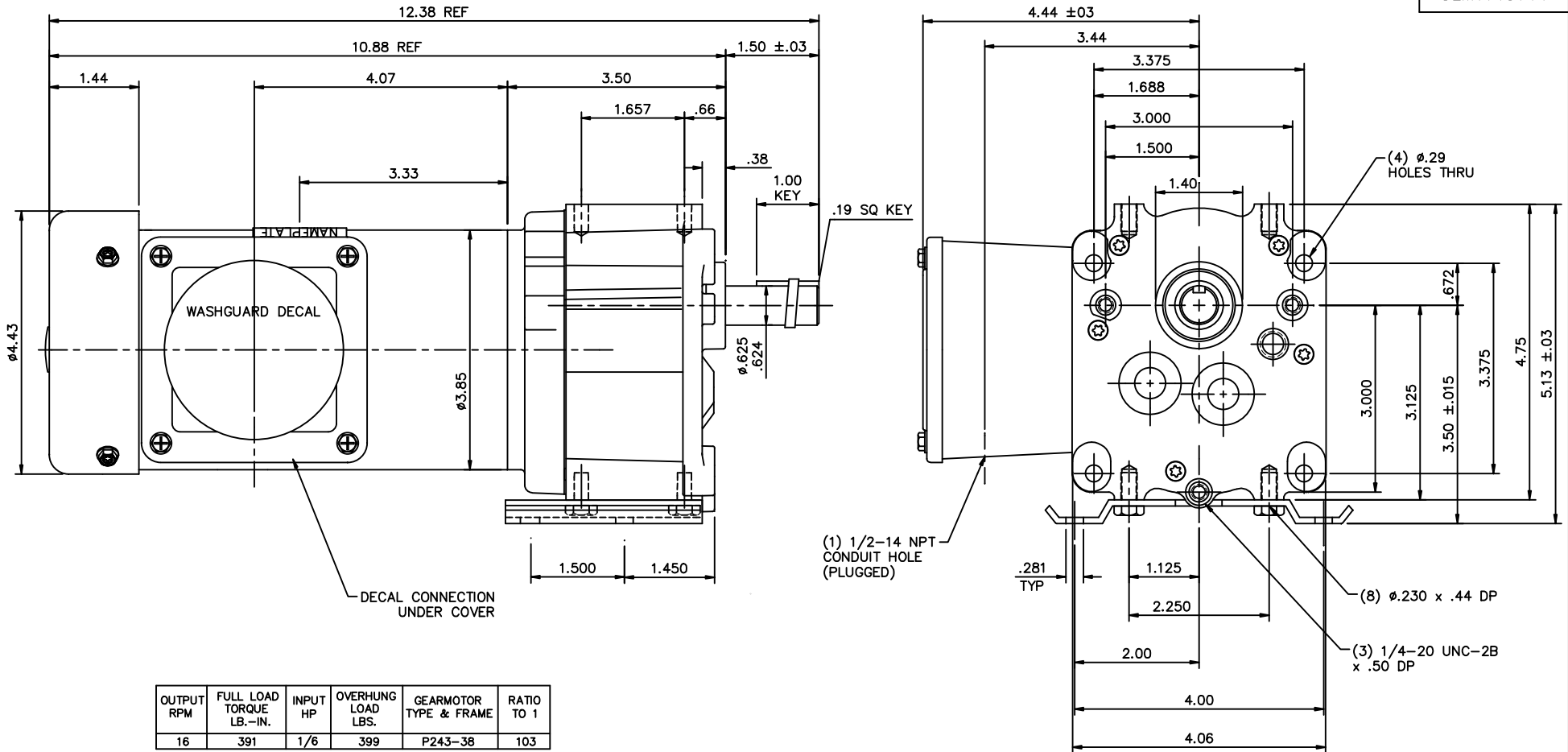
Nameplate Specifications

Output HP	0.17 Hp	Output KW	0.12 kW
Frequency	60 Hz	Voltage	190 V
Current	0.72 A	Speed	16 rpm
Service Factor	1	Phase	3
Duty	Continuous	Insulation Class	F
KVA Code	J	Frame	38
Enclosure	Totally Enclosed Fan Cooled	Overload Protector	No
Ambient Temperature	40 °C	Drive End Bearing Size	6201
Opp Drive End Bearing Size	6201	UL	Recognized
CSA	Y	CE	N


Technical Specifications

Rotation	Reversible	Mounting	Special
Shaft Type	Parallel	Overall Length	12.38 in
Frame Length	6.13 in	Shaft Diameter	0.625 in
Shaft Extension	1.5 in		
Outline Drawing	OLM1145144	Connection Diagram	005102.01

This is an uncontrolled document once printed or downloaded and is subject to change without notice. Date Created: 10/15/2018

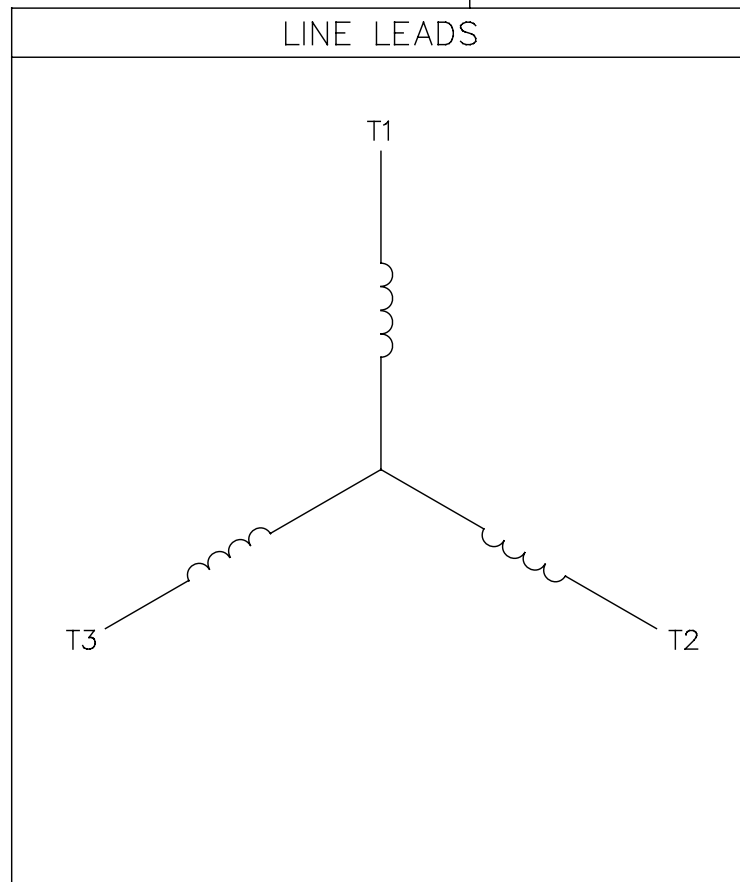
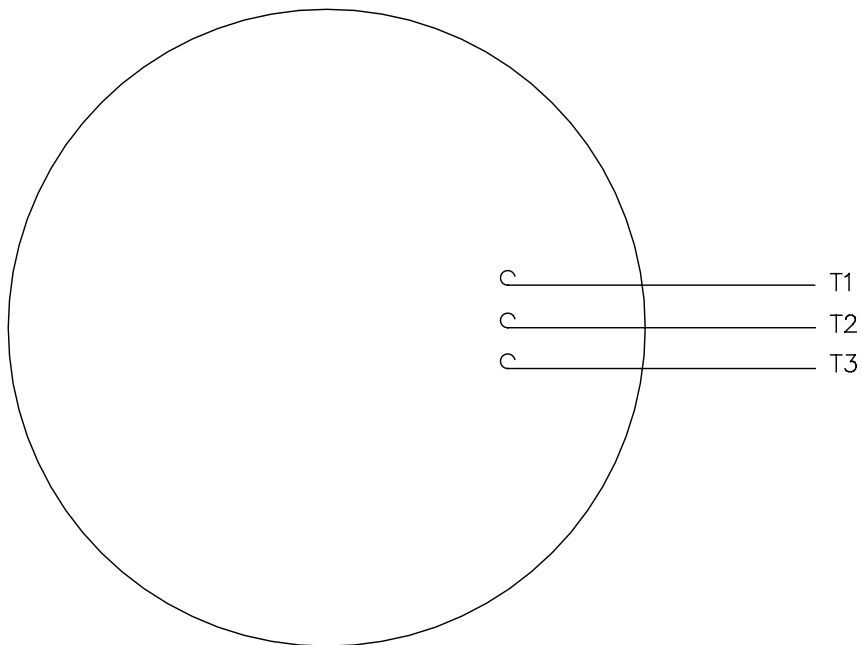


OUTPUT RPM	FULL LOAD TORQUE LB.-IN.	INPUT HP	OVERHUNG LOAD LBS.	GEARMOTOR TYPE & FRAME	RATIO TO 1
16	391	1/6	399	P243-38	103

		TOLERANCES UNLESS SPECIFIED		 ELECTRIC MOTORS GEARMOTORS AND DRIVES	DRAWN				
		DEC.	INCHES		SRS 12/16/08				
		.X	±.1		CHK				
		.XX	±.03	TITLE	APPD				
		.XXX	±.005	OUTLINE DRAWING	SCALE 5=8				
		.XXXX	±.0005	P240 GEARMOTOR - 38 FRAME WASHGUARD	REF M1030381				
01	ADDED LOCATION OF 1/2-14 NPT ISAAC 10-4079	GWS	6/13/11	MAT'L	FMF M1145144				
NO.	REVISION	CHK	ANG	±1/2'	PREV				
THIS DRAWING IN DESIGN AND DETAIL IS OUR PROPERTY AND MUST NOT BE USED EXCEPT IN CONNECTION WITH OUR WORK ALL RIGHTS OF DESIGN AND INVENTION ARE RESERVED THIS IS AN ELECTRONICALLY GENERATED DOCUMENT - DO NOT SCALE THIS PRINT				RFP	CAD FILE	OLM1145144	SIZE	DRAWING NO.	REV.
				DIST	B	OLM1145144	01		

005102-01

VIEW FROM OUTSIDE OF MOTOR AT SWITCH END.



CONNECT LEADS AS FOLLOWS
FOR FOUR CONDUCTOR CORD ()

CORD	L1 (RED)	L2 (WHITE)	L3 (BLACK)	(GREEN)
MOTOR	T1	T2	T3	GROUND

				TOLERANCES UNLESS SPECIFIED		Regal Beloit America, Inc.			DRAWN	JRW 9/11/75	
				DEC.	INCHES				CHK		
				.X	±.1	EXTERNAL WIRING DIAGRAM TYPE "T" W/O PROTECTOR			APPD	JCW 9/11/75	
08	UPDATED TO REGAL LOGO	SAJ 06/26/15	AJY .XX	±.01	TITLE				SCALE	1=1	
07	UPDATED TO CURRENT STANDARDS	DBT 5/30/97	.XXX	±.005	MAT'L.				DECAL - 004169	REF	W-T6343-6
06	REDRAWN ON CAD; ADDED DECAL NUMBER	SAW 1/24/95	.XXXX	±.0005	FINISH				PREV	6T17FB7	
NO.	REVISION	BY & DATE	CHK	ANG	±1/2"				DRAWING NO.	REV.	
THIS DRAWING IN DESIGN AND DETAIL IS OUR PROPERTY AND MUST NOT BE USED EXCEPT IN CONNECTION WITH OUR WORK ALL RIGHTS OF DESIGN AND INVENTION ARE RESERVED THIS IS AN ELECTRONICALLY GENERATED DOCUMENT - DO NOT SCALE THIS PRINT				RFP	5/1/02	CAD FILE	00510201	SIZE	A	005102-01	08
				DIST	BRF-NLV						