

PRODUCT INFORMATION PACKET



Model No: CM38P17FZ44A

Catalog No: M1145143.00

..1/6HP..340RPM.38.TEFC.115/230V.1PH.60/50HZ.....CM38P17FZ44A.13...5:1.WASHDOWN
DUTY..23LBIN.....

Washguard



Regal and Leeson are trademarks of Regal Beloit Corporation or one of its affiliated companies.

©2018 Regal Beloit Corporation, All Rights Reserved. MC017097E





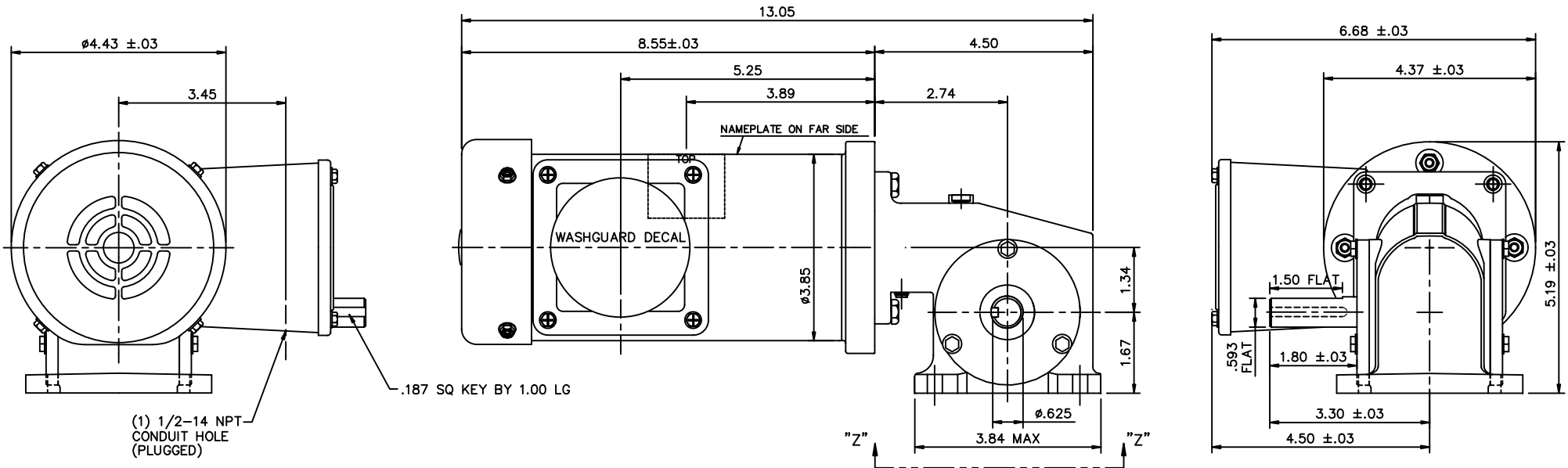
Nameplate Specifications

Output HP	0.16 Hp	Output KW	0.12 kW
Frequency	60 Hz	Voltage	110 V
Current	2.0/1.0 A	Speed	340 rpm
Service Factor	1	Phase	1
Duty	Continuous	Insulation Class	F
KVA Code	D	Frame	38
Enclosure	Totally Enclosed Fan Cooled	Overload Protector	No
Ambient Temperature	40 °C	Drive End Bearing Size	6201
Opp Drive End Bearing Size	6201	UL	Recognized
CSA	Y	CE	Y

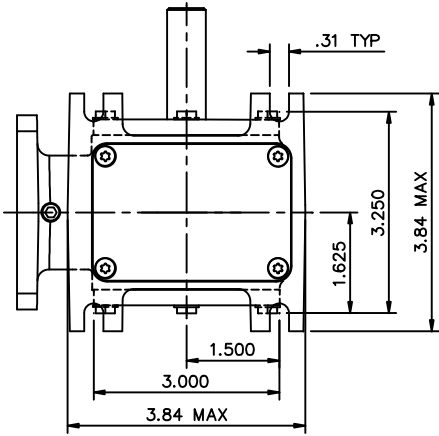
Technical Specifications

Rotation	Reversible	Mounting	Special
Shaft Type	Right Angle	Overall Length	13.05 in
Frame Length	6.63 in	Shaft Diameter	0.625 in
Shaft Extension	1.8 in		
Outline Drawing	OLM1145143-M1145143	Connection Diagram	M1005040.02

This is an uncontrolled document once printed or downloaded and is subject to change without notice. Date Created: 10/15/2018



(1) 1/2-14 NPT CONDUIT HOLE (PLUGGED)



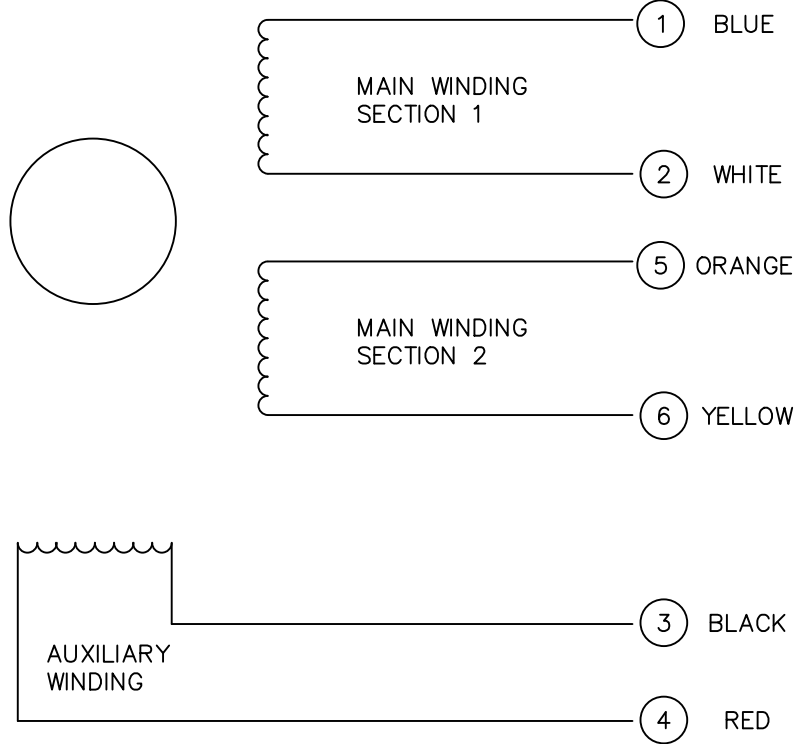
CATALOG NUMBER	SPEED RANGE RPM	FULL LOAD TORQUE LB.-IN.	INPUT HP	OVERHUNG LOAD LBS.	GEARMOTOR TYPE & FRAME	RATIO TO 1
M1145143.00	340	75	1/6	235	13F05-38F	05

- NOTES:
- 1) O-RINGS BETWEEN FRAME AND ENDBELLS.
 - 2) GASKETS THROUGHOUT.
 - 3) CAPACITOR LOCATED IN CONDUIT BOX.

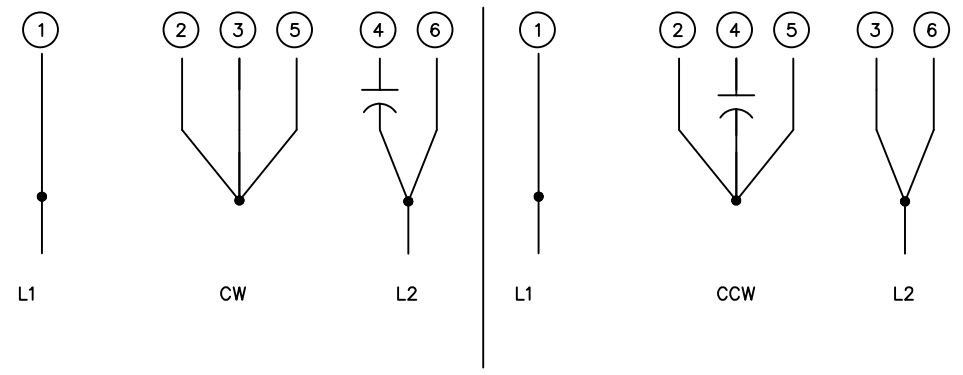
		TOLERANCES UNLESS SPECIFIED		LEESON	ELECTRIC MOTORS GEARMOTORS AND DRIVES	DRAWN SRS 12/16/08
		DEC.	INCHES			
		.X	$\pm .1$	TITLE		APPD
		.XX	$\pm .03$	OUTLINE DRAWING		SCALE 1=2
		.XXX	$\pm .005$	13 SERIES - 38 FRAME WASHGUARD		REF M1030422.00
		.XXXX	$\pm .0005$	MAT'L		FMF M1145143.00
01	ADDED LOCATION OF 1/2-14 NPT ISAAC 10-4079	GWS	6/14/11	FINISH		PREV
NO.	REVISION	CHK	ANG	$\pm 1/2'$	CAD FILE	OLM1145143
THIS DRAWING IN DESIGN AND DETAIL IS OUR PROPERTY AND MUST NOT BE USED EXCEPT IN CONNECTION WITH OUR WORK ALL RIGHTS OF DESIGN AND INVENTION ARE RESERVED THIS IS AN ELECTRONICALLY GENERATED DOCUMENT - DO NOT SCALE THIS PRINT				RFP	SIZE	DRAWING NO.
				DIST	B	OLM1145143
						REV. 01

M1005040.02

COLORED LEADS

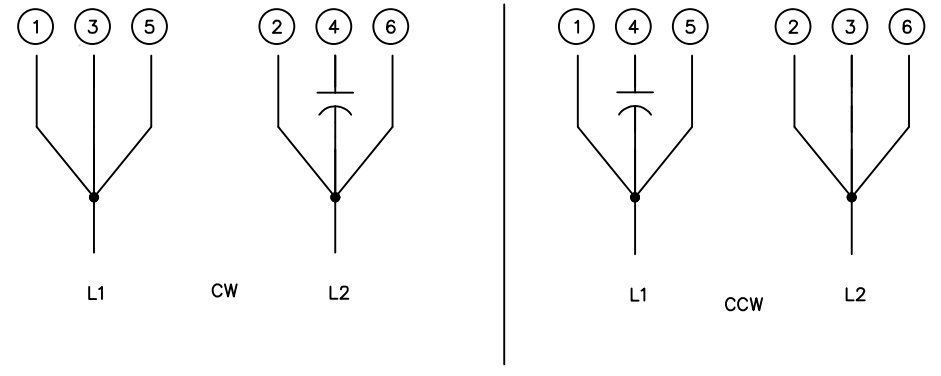


HIGH VOLTAGE CONNECTIONS



ROTATION VIEWING LEAD END OF MOTOR

LOW VOLTAGE CONNECTIONS



ROTATION VIEWING LEAD END OF MOTOR

				TOLERANCES UNLESS OTHERWISE SPECIFIED		LEESON ELECTRIC CORPORATION				
				DECIMALS						
				.00	± .01	DRAWN	DK	TITLE EXTERNAL WIRING DIAGRAM DUAL VOLTAGE DUAL ROTATION		
02	REDRAWN ON CAD	AJR	6/28/99	.000	± .005	CH'K'D.	10/3/91			
01	REMOVED CAP FROM LEFT DIAGRAM	DD	9/16/95	.0000	± .0005	APPR.	10/3/91	MAT'L.		
NO.	REVISION	BY	DATE	FRACTIONS	± 1/64	SCALE	NONE			
THIS DRAWING IN DESIGN AND DETAIL IS OUR PROPERTY AND MUST NOT BE USED EXCEPT IN CONNECTION WITH OUR WORK ALL RIGHTS OF DESIGN AND INVENTION ARE RESERVED				ANGLES	± 1/2°	REF.	FINISH		SIZE	DRAWING NO.
				INCH/MM		FMF			PR91376	LECO CORP.