

PRODUCT INFORMATION PACKET



Model No: CM38P17FZ43A

Catalog No: M1145142.00

..1/6HP..83RPM.38.TEFC.115/230V.1PH.60/50HZ.....CM38P17FZ43A.13...20:1.WASHDOWN
DUTY..75LBIN.....

Washguard



Regal and Leeson are trademarks of Regal Beloit Corporation or one of its affiliated companies.

©2018 Regal Beloit Corporation, All Rights Reserved. MC017097E





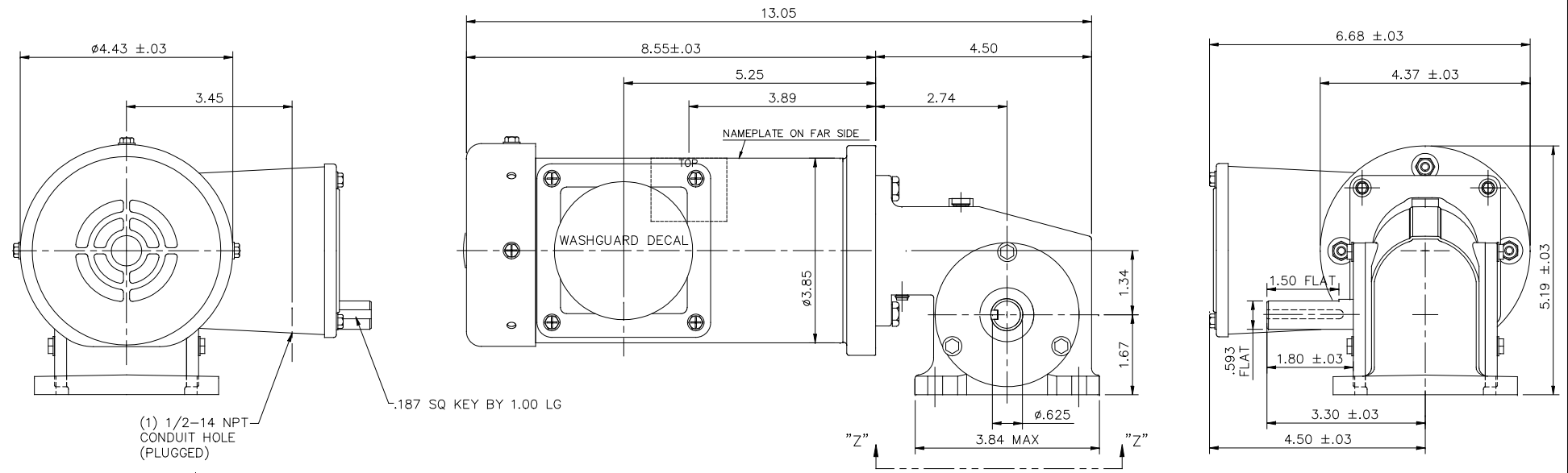
Nameplate Specifications

Output HP	0.16 Hp	Output KW	0.12 kW
Frequency	60 Hz	Voltage	110 V
Current	2.0/1.0 A	Speed	83 rpm
Service Factor	1	Phase	1
Duty	Continuous	Insulation Class	F
KVA Code	D	Frame	38
Enclosure	Totally Enclosed Fan Cooled	Overload Protector	No
Ambient Temperature	40 °C	Drive End Bearing Size	6201
Opp Drive End Bearing Size	6201	UL	Recognized
CSA	Y	CE	Y

Technical Specifications

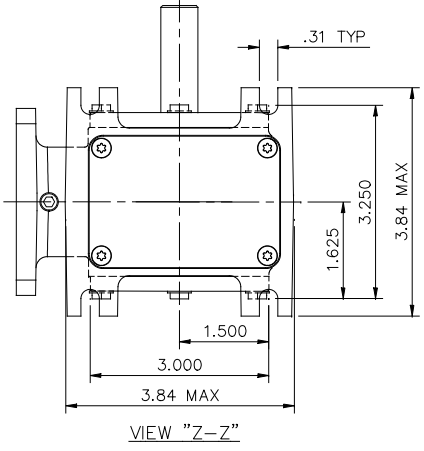
Rotation	Reversible	Mounting	Special
Shaft Type	Right Angle	Overall Length	13.05 in
Frame Length	6.63 in	Shaft Diameter	0.625 in
Shaft Extension	1.8 in		
Outline Drawing	OLM1145142-M1145142	Connection Diagram	M1005040.02

This is an uncontrolled document once printed or downloaded and is subject to change without notice. Date Created: 10/15/2018



(1) 1/2-14 NPT
CONDUIT HOLE
(PLUGGED)

.187 SQ KEY BY 1.00 LG



VIEW "Z-Z"

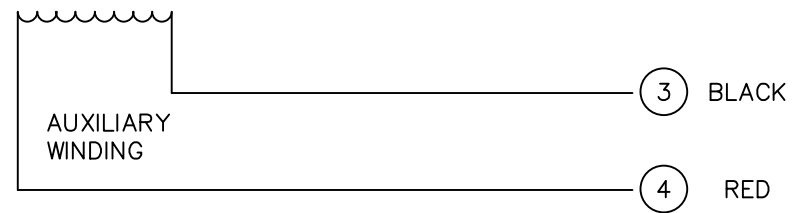
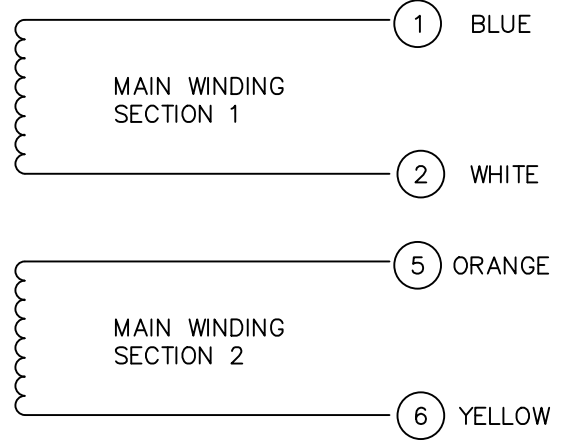
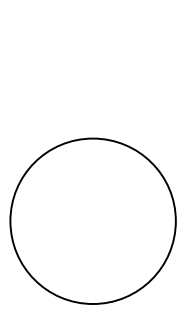
CATALOG NUMBER	SPEED RANGE RPM	FULL LOAD TORQUE LB.-IN.	INPUT HP	OVERHUNG LOAD LBS.	GEARMOTOR TYPE & FRAME	RATIO TO 1
M1145142.00	83	75	1/6	235	13F20-38F	20

- NOTES:
 1) O-RINGS BETWEEN FRAME AND ENDBELLS.
 2) GASKETS THROUGHOUT.
 3) CAPACITOR LOCATED IN CONDUIT BOX.

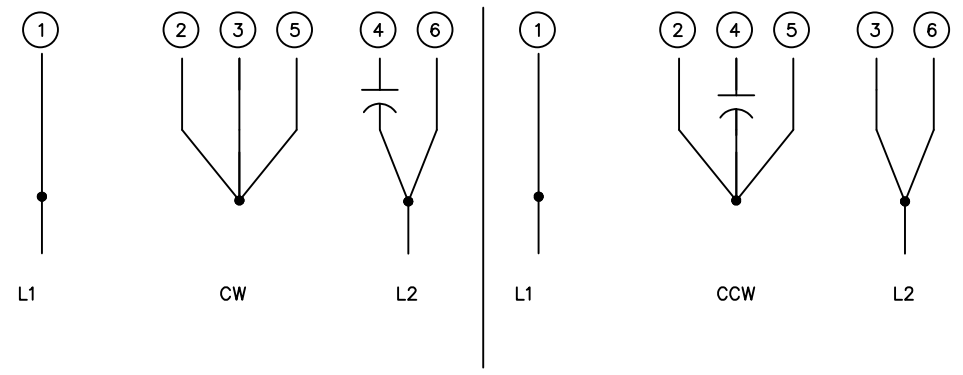
ORACLE REV NO.	REVISION	BY & DATE	CHK	TOLERANCES UNLESS SPECIFIED		TITLE	DRAWING NO.	REV.	
				DEC.	INCHES				
E	CHANGED FAN SHROUD SCREWS PER ECO-0131101	ARV 9/12/17	SK	.XXX	±.0005	LEESON ELECTRIC MOTORS GEARMOTORS AND DRIVES 13 SERIES - 38 FRAME WASHGUARD	M1145142.00	E	
002			RFP	ANG	±1/2'				FINISH
THIS DRAWING IN DESIGN AND DETAIL IS OUR PROPERTY AND MUST NOT BE USED EXCEPT IN CONNECTION WITH OUR WORK ALL RIGHTS OF DESIGN AND INVENTION ARE RESERVED THIS IS AN ELECTRONICALLY GENERATED DOCUMENT - DO NOT SCALE THIS PRINT						CAD FILE	OLM1145142	SIZE	B
						FINISH		DRAWING NO.	OLM1145142

M1005040.02

COLORED LEADS

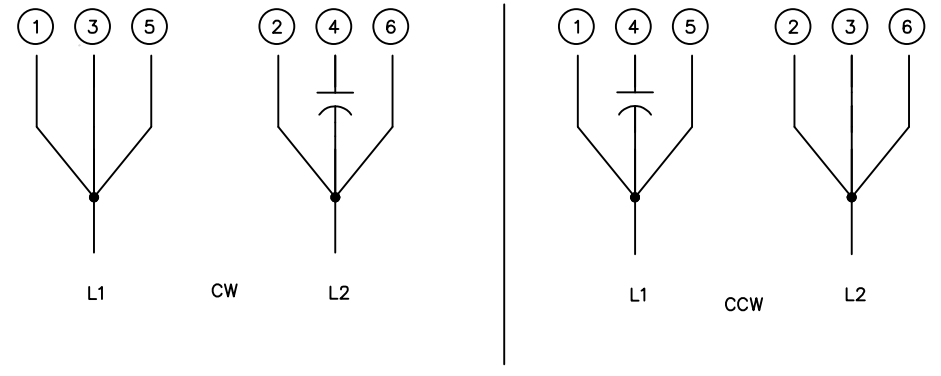


HIGH VOLTAGE CONNECTIONS



ROTATION VIEWING LEAD END OF MOTOR

LOW VOLTAGE CONNECTIONS



ROTATION VIEWING LEAD END OF MOTOR

				TOLERANCES UNLESS OTHERWISE SPECIFIED		LEESON ELECTRIC CORPORATION				
				DECIMALS						
				.00	± .01	DRAWN	DK	TITLE EXTERNAL WIRING DIAGRAM DUAL VOLTAGE DUAL ROTATION		
02	REDRAWN ON CAD	AJR	6/28/99	.000	± .005	CH'K'D.	10/3/91			
01	REMOVED CAP FROM LEFT DIAGRAM	DD	9/16/95	.0000	± .0005	APPR.	10/3/91	MAT'L.		
NO.	REVISION	BY	DATE	FRACTIONS	± 1/64	SCALE	NONE			
THIS DRAWING IN DESIGN AND DETAIL IS OUR PROPERTY AND MUST NOT BE USED EXCEPT IN CONNECTION WITH OUR WORK ALL RIGHTS OF DESIGN AND INVENTION ARE RESERVED				ANGLES	± 1/2°	REF.	FINISH		SIZE	DRAWING NO.
				INCH/MM		FMF	PR91376	LECO CORP.		A