

PRODUCT INFORMATION PACKET

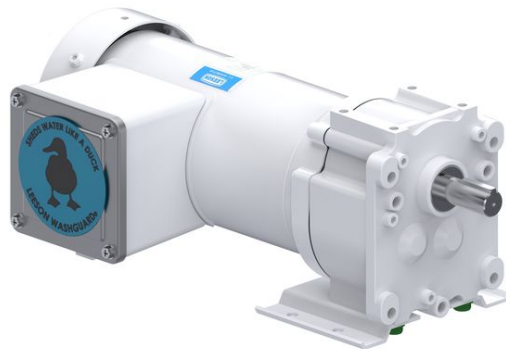


Model No: CM38P17FZ40A

Catalog No: M1145139.00

..1/6HP..40RPM.38.TEFC.115/230V.1PH.60HZ.....CM38P17FZ40A.P240...43:1.WASHDOWN
DUTY..219LBIN.....

P240 Series



Regal and Leeson are trademarks of Regal Beloit Corporation or one of its affiliated companies.

©2018 Regal Beloit Corporation, All Rights Reserved. MC017097E





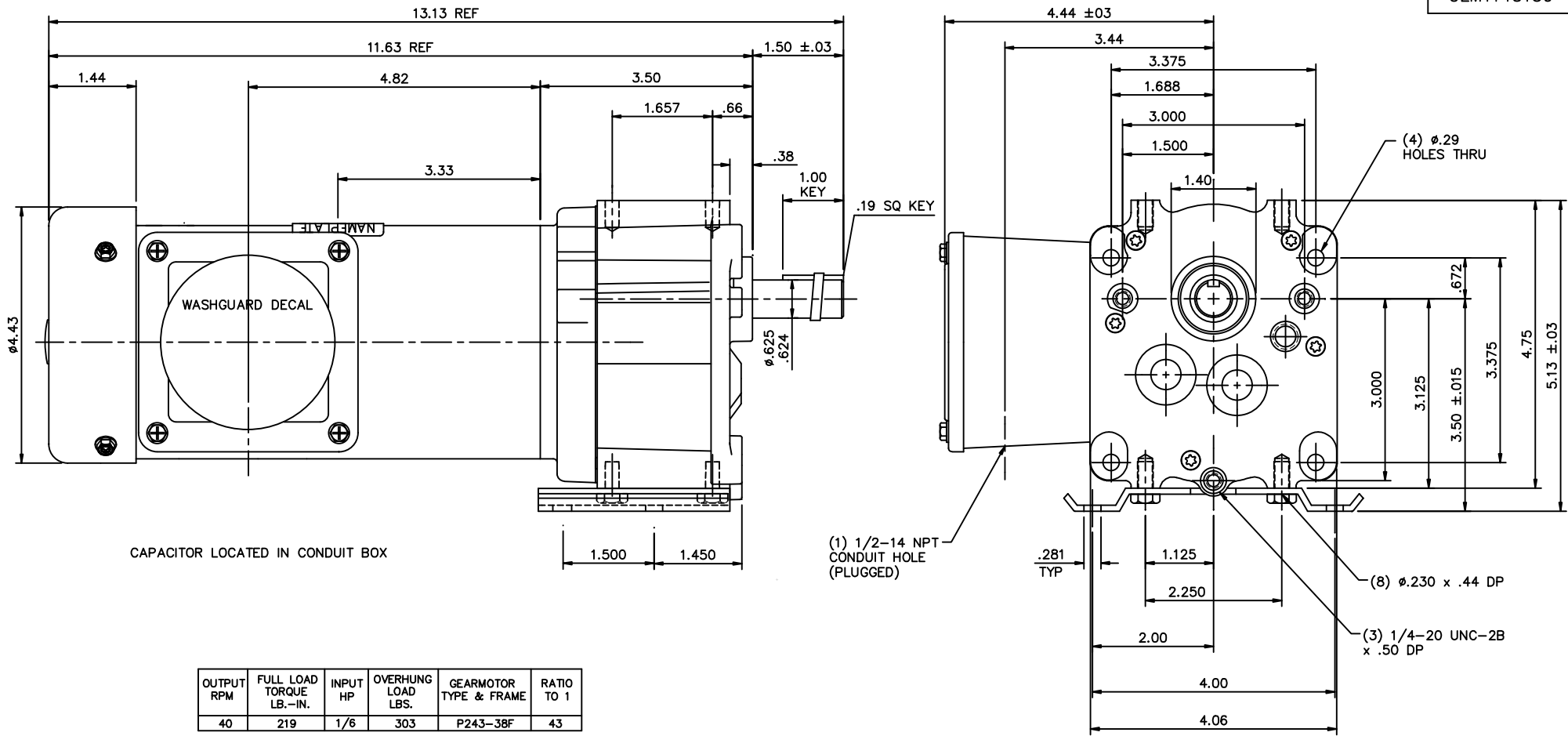
Nameplate Specifications

Output HP	0.16 Hp	Output KW	0.12 kW
Frequency	60 Hz	Voltage	110 V
Current	2.0/1.0 A	Speed	40 rpm
Service Factor	1	Phase	1
Duty	Continuous	Insulation Class	F
KVA Code	D	Frame	38
Enclosure	Totally Enclosed Fan Cooled	Overload Protector	No
Ambient Temperature	40 °C	Drive End Bearing Size	6201
Opp Drive End Bearing Size	6201	UL	Recognized
CSA	Y	CE	Y

Technical Specifications

Rotation	Reversible	Mounting	Special
Shaft Type	Parallel	Overall Length	13.13 in
Frame Length	6.88 in	Shaft Diameter	0.625 in
Shaft Extension	1.5 in		
Outline Drawing	OLM1145139	Connection Diagram	M1005040.02

This is an uncontrolled document once printed or downloaded and is subject to change without notice. Date Created: 10/15/2018



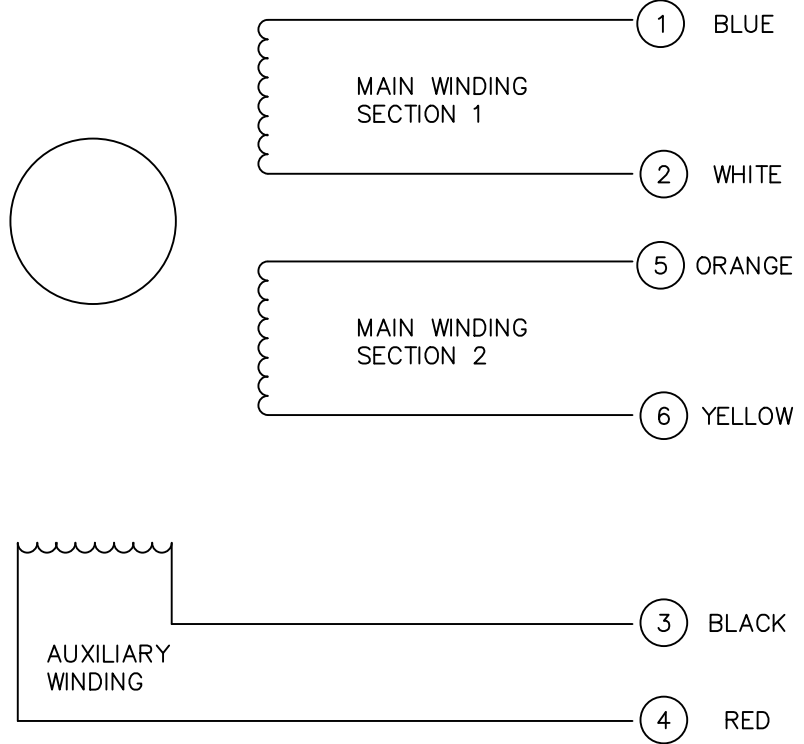
CAPACITOR LOCATED IN CONDUIT BOX

OUTPUT RPM	FULL LOAD TORQUE LB.-IN.	INPUT HP	OVERHUNG LOAD LBS.	GEARMOTOR TYPE & FRAME	RATIO TO 1
40	219	1/6	303	P243-38F	43

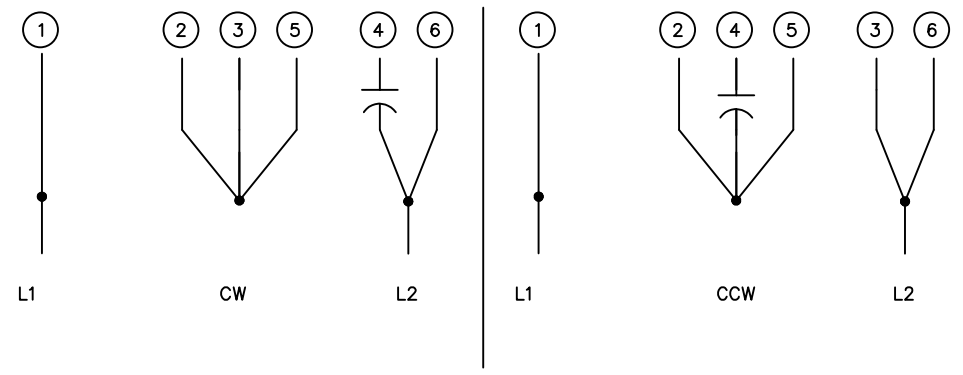
		TOLERANCES UNLESS SPECIFIED		LEESON ELECTRIC MOTORS GEARMOTORS AND DRIVES	DRAWN SRS 12/16/08
		DEC.	INCHES		CHK
		.X	±.1		APPD
		.XX	±.03	TITLE	SCALE 5=8
		.XXX	±.005	OUTLINE DRAWING	REF M1030381
		.XXXX	±.0005	P240 GEARMOTOR - 38 FRAME WASHGUARD	FMF M1145139
01	ADDED LOCATION OF 1/2-14 NPT ISAAC 10-4079	GWS	6/10/11	MAT'L	PREV
NO.	REVISION	CHK	ANG	±1/2'	
THIS DRAWING IN DESIGN AND DETAIL IS OUR PROPERTY AND MUST NOT BE USED EXCEPT IN CONNECTION WITH OUR WORK ALL RIGHTS OF DESIGN AND INVENTION ARE RESERVED THIS IS AN ELECTRONICALLY GENERATED DOCUMENT - DO NOT SCALE THIS PRINT				RFP	CAD FILE OLM1145139
				DIST	FINISH
				SIZE B	DRAWING NO. OLM1145139
					REV. 01

M1005040.02

COLORED LEADS

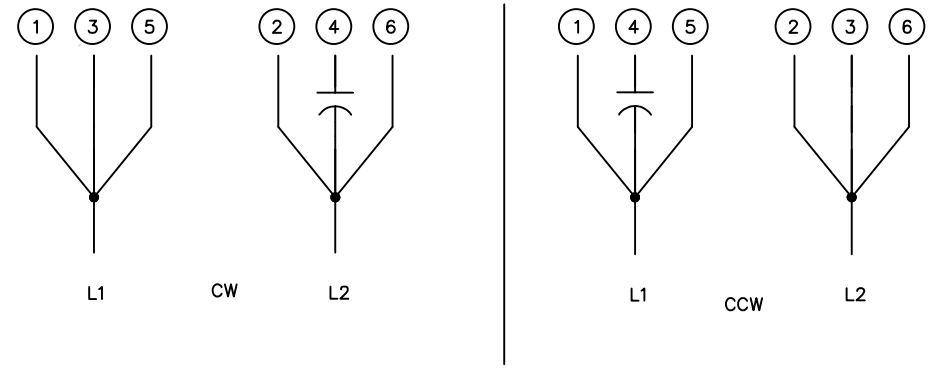


HIGH VOLTAGE CONNECTIONS



ROTATION VIEWING LEAD END OF MOTOR

LOW VOLTAGE CONNECTIONS



ROTATION VIEWING LEAD END OF MOTOR

TOLERANCES UNLESS OTHERWISE SPECIFIED

LEESON ELECTRIC CORPORATION

DECIMALS

.00 ± .01

DRAWN DK

TITLE EXTERNAL WIRING DIAGRAM

.000 ± .005

CH'K'D. 10/3/91

DUAL VOLTAGE DUAL ROTATION

.0000 ± .0005

APPR. 10/3/91

MAT'L.

FRACTIONS ± 1/64

SCALE NONE

ANGLES ± 1/2°

REF. FMF PR91376

FINISH LECO CORP.

SIZE A

DRAWING NO. M1005040.02

THIS DRAWING IN DESIGN AND DETAIL IS OUR PROPERTY AND MUST NOT BE USED EXCEPT IN CONNECTION WITH OUR WORK ALL RIGHTS OF DESIGN AND INVENTION ARE RESERVED