

PRODUCT INFORMATION PACKET



Model No: CM38T17FZ9A

Catalog No: M1145129.00

..3/8HP..86RPM.38.TEFC./208-230V.3PH.60HZ.....CM38T17FZ9A.13...20:1.INVERTER
RATED..138LBIN.....

Right Angle



Regal and Leeson are trademarks of Regal Beloit Corporation or one of its affiliated companies.

©2018 Regal Beloit Corporation, All Rights Reserved. MC017097E





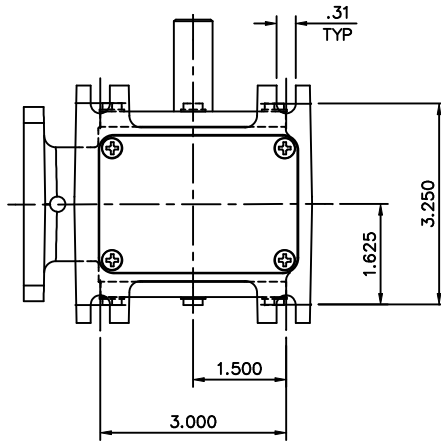
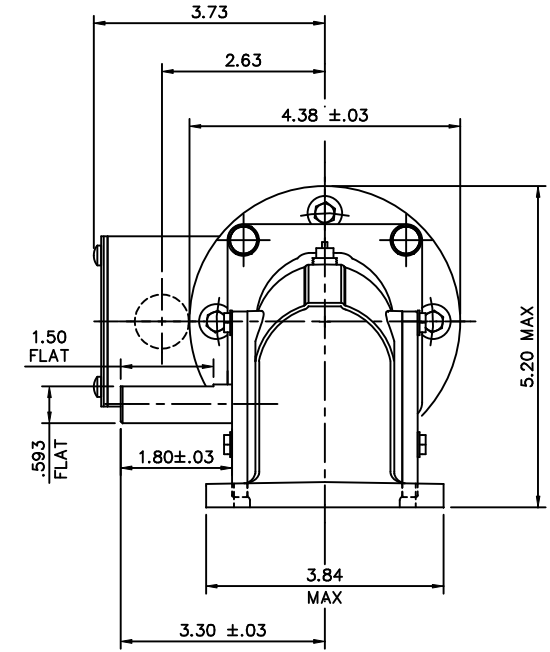
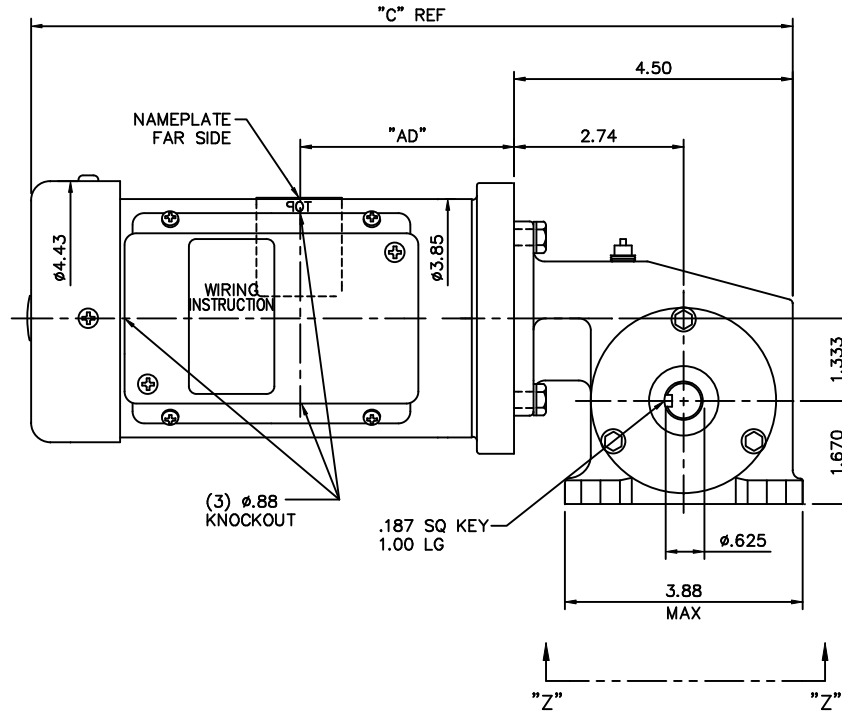
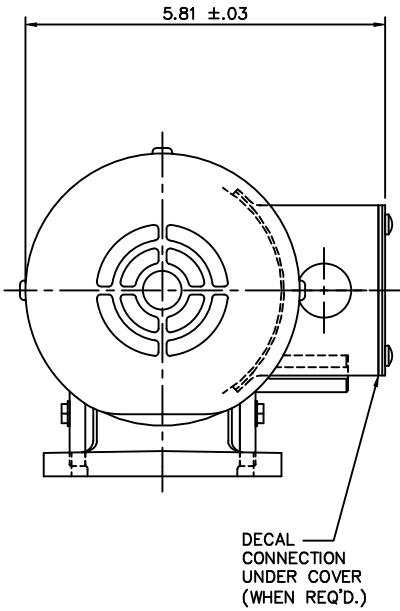
Nameplate Specifications

Output HP	0.38 Hp	Output KW	0.28 kW
Frequency	60 Hz	Voltage	208-230 V
Current	1.4-1.3 A	Speed	86 rpm
Service Factor	1	Phase	3
Duty	Continuous	Insulation Class	F
KVA Code	G	Frame	38
Enclosure	Totally Enclosed Fan Cooled	Overload Protector	No
Ambient Temperature	40 °C	Drive End Bearing Size	6201
Opp Drive End Bearing Size	6201	UL	Recognized
CSA	Y	CE	N

Technical Specifications

Rotation	Reversible	Mounting	Special
Shaft Type	Right Angle	Overall Length	12.31 in
Frame Length	5.88 in	Shaft Diameter	0.625 in
Shaft Extension	1.8 in		
Outline Drawing	M1030994-M1145129	Connection Diagram	005102.01

This is an uncontrolled document once printed or downloaded and is subject to change without notice. Date Created: 10/15/2018



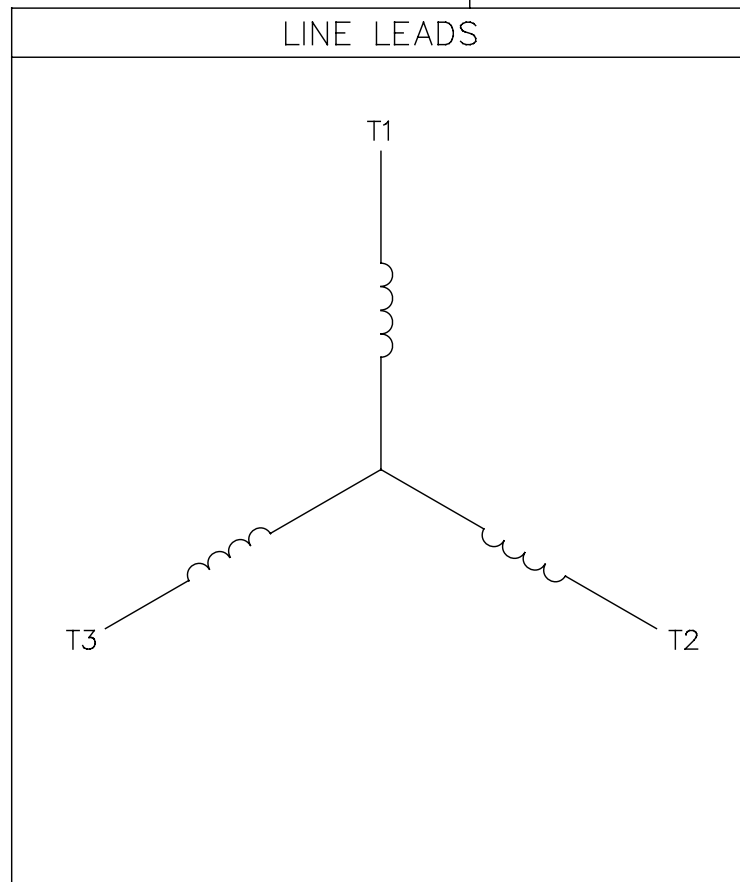
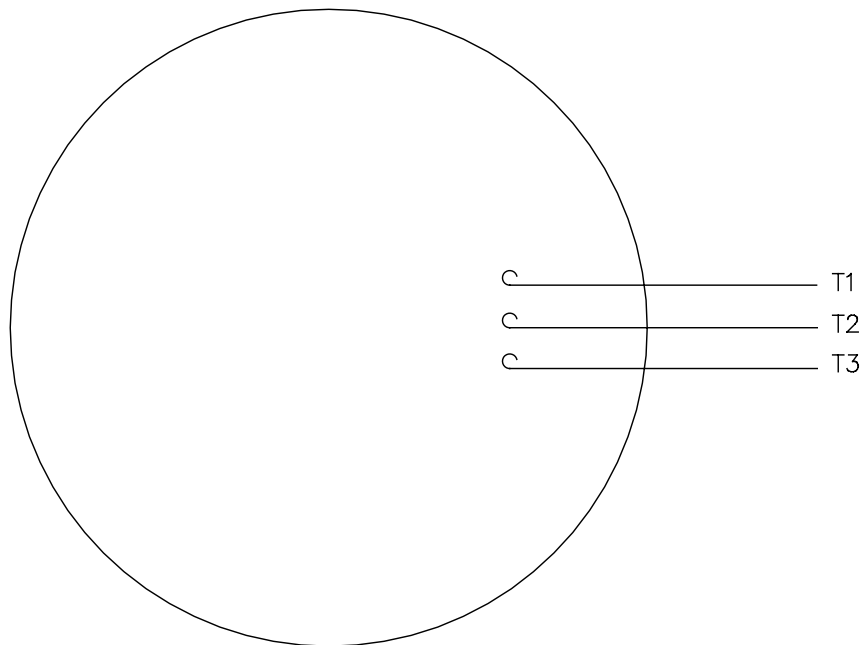
VIEW Z-Z

CATALOG NUMBER	OUTPUT RPM	FULL LOAD TORQUE LB.-IN.	INPUT HP	OVERHUNG LOAD LBS.	RATIO TO 1	"C"	"AD"
M1145127.00	29	220	3/8	235	60	12.31	3.50
M1145128.00	43	228	3/8	235	40	12.31	3.50
M1145129.00	86	138	3/8	235	20	12.31	3.50
M1145130.00	172	105	3/8	235	10	12.31	3.50
M1145131.00	345	54	3/8	235	05	12.31	3.50
M1145136.00	345	23	3/8	235	05	11.81	2.50

		TOLERANCES UNLESS SPECIFIED		LEESON ELECTRIC MOTORS GEARMOTORS AND DRIVES	DRAWN LST 5/16/05
		DEC.	INCHES		CHK RW 6/1/05
		.X	±.1	APPD KH 6/1/05	SCALE 1=2
		.XX	±.03	TITLE	REF PR040180
02	CHANGED TO DIE CAST GEARBOX PER ECN 06-3024.	RPB 7/13/06	BC .XXX ±.005	OUTLINE 38 FRAME A.C. RIGHT ANGLE GEARMOTOR	PREV
01	ADDED PERFORMANCE ATTRIBUTES TABLE	RLW 7/7/05	.XXXX ±.0005	MAT'L	
NO.	REVISION	BY & DATE	CHK ANG ±1/2"	FINISH	
THIS DRAWING IN DESIGN AND DETAIL IS OUR PROPERTY AND MUST NOT BE USED EXCEPT IN CONNECTION WITH OUR WORK ALL RIGHTS OF DESIGN AND INVENTION ARE RESERVED THIS IS AN ELECTRONICALLY GENERATED DOCUMENT - DO NOT SCALE THIS PRINT				RFP CAD FILE M1030994	SIZE B DRAWING NO. M1030994
				DIST	REV. 02

005102-01

VIEW FROM OUTSIDE OF MOTOR AT SWITCH END.



CONNECT LEADS AS FOLLOWS
FOR FOUR CONDUCTOR CORD ()

CORD	L1 (RED)	L2 (WHITE)	L3 (BLACK)	(GREEN)
MOTOR	T1	T2	T3	GROUND

				TOLERANCES UNLESS SPECIFIED		REGAL™ Regal Beloit America, Inc.		DRAWN JRW 9/11/75		
				DEC.	INCHES			CHK		
				.X	±.1			APPD JCW 9/11/75		
08	UPDATED TO REGAL LOGO	SAJ 06/26/15	AJY	.XX	±.01	TITLE EXTERNAL WIRING DIAGRAM TYPE "T" W/O PROTECTOR		SCALE 1=1		
07	UPDATED TO CURRENT STANDARDS	DBT 5/30/97		.XXX	±.005			REF W-T6343-6		
06	REDRAWN ON CAD; ADDED DECAL NUMBER	SAW 1/24/95		.XXXX	±.0005	MAT'L. DECAL - 004169		FMF 6T17FB7		
NO.	REVISION	BY & DATE	CHK	ANG	±1/2"			FINISH		PREV
THIS DRAWING IN DESIGN AND DETAIL IS OUR PROPERTY AND MUST NOT BE USED EXCEPT IN CONNECTION WITH OUR WORK ALL RIGHTS OF DESIGN AND INVENTION ARE RESERVED THIS IS AN ELECTRONICALLY GENERATED DOCUMENT - DO NOT SCALE THIS PRINT				RFP	5/1/02	CAD FILE	00510201	SIZE	DRAWING NO.	REV.
				DIST	BRF-NLV			A	005102-01	08